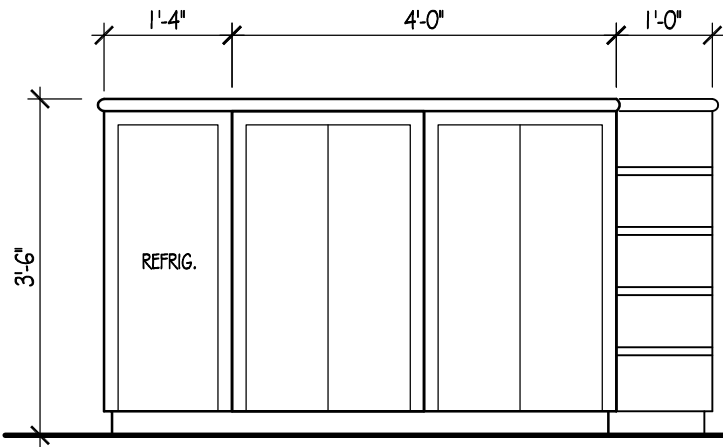
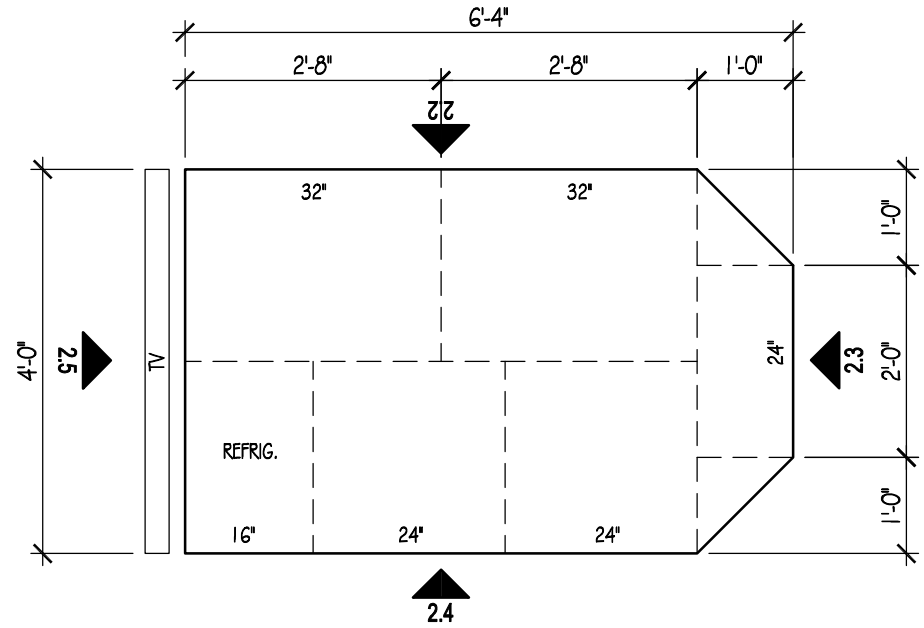
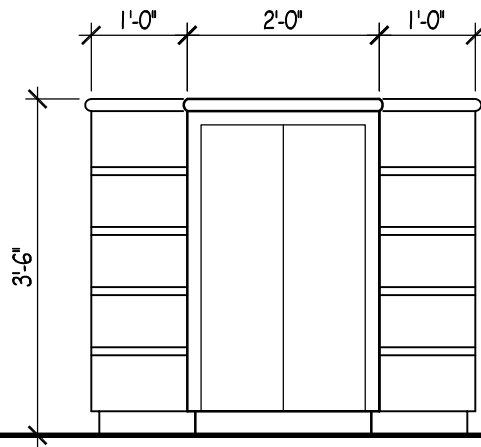


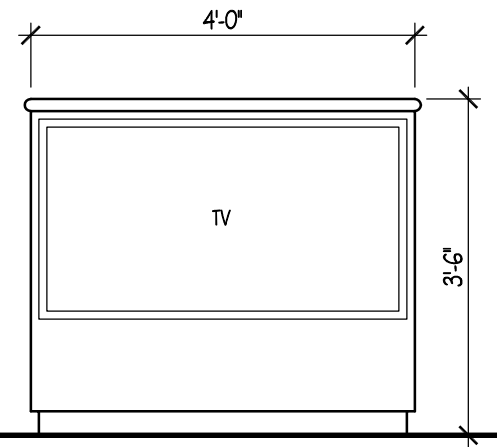
2.2 ELEVATION
Scale: 1/2" = 1'-0"



2.4 ELEVATION
Scale: 1/2" = 1'-0"



2.3 ELEVATION
Scale: 1/2" = 1'-0"



2.5 ELEVATION
Scale: 1/2" = 1'-0"

FITZGIBBONS RESIDENCE