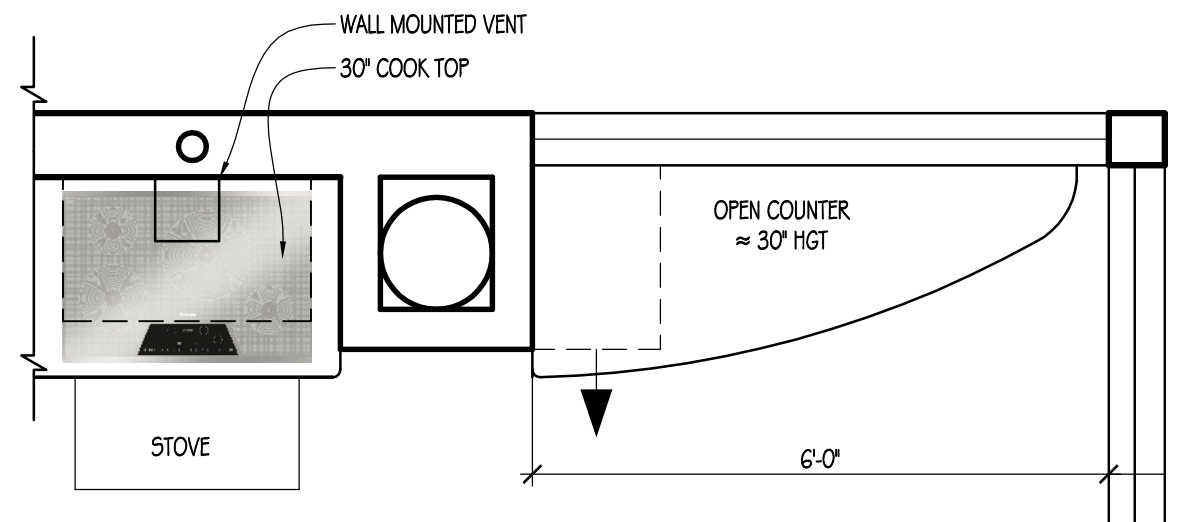
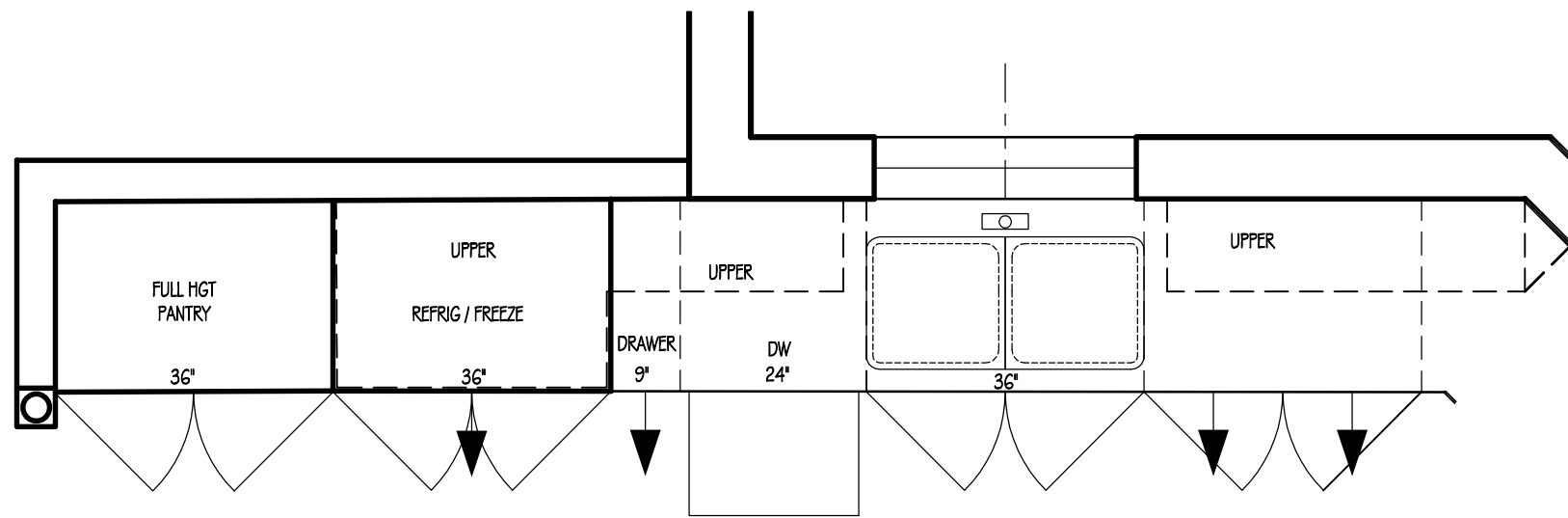
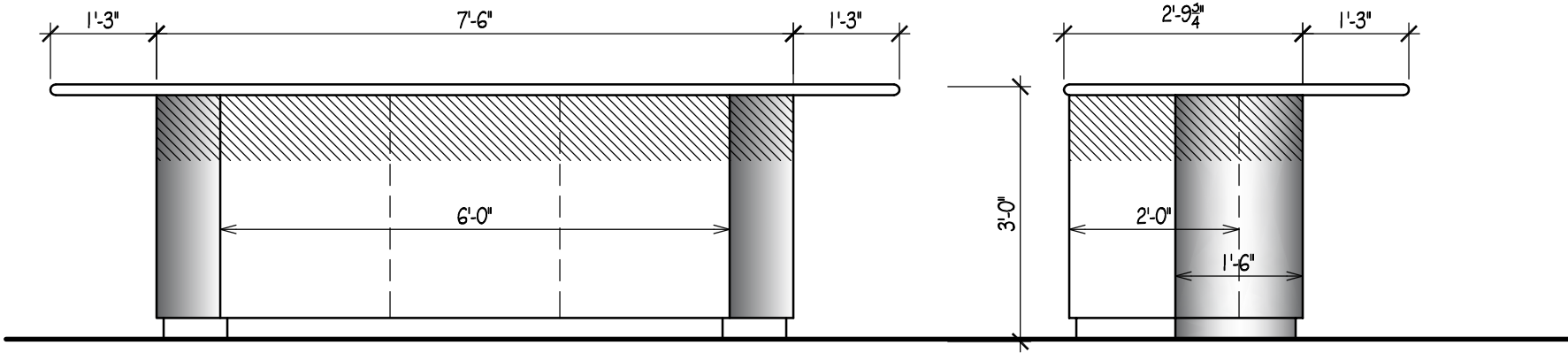


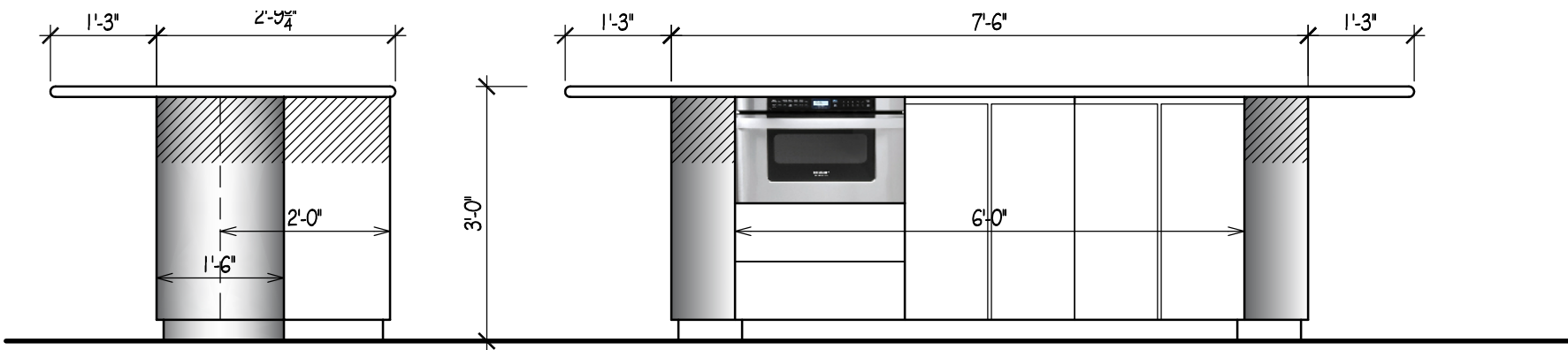
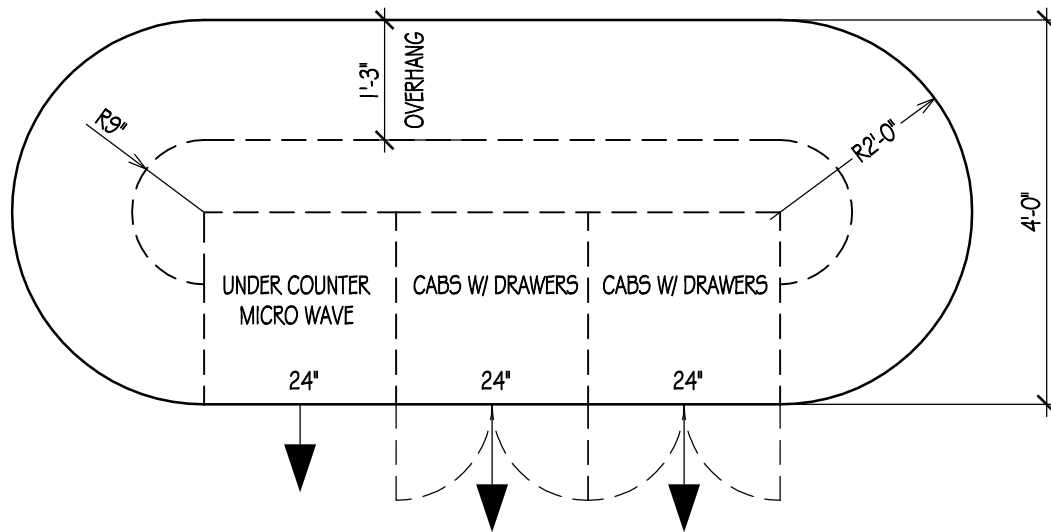
1.1 KITCHEN ELEVATION
Scale: 1/2" = 1'-0"

1.2 KITCHEN ELEVATION
Scale: 1/2" = 1'-0"





1.4 **KITCHEN ISLAND**
 Scale: 1/2" = 1'-0"



1.3 **KITCHEN ISLAND**
 Scale: 1/2" = 1'-0"