

**PLAN LEGEND - FLOOR FINISHES**

#	PATTERN	SPECIFICATIONS
01		TERAZZO
02		TERAZZO
03		TERAZZO
04		TERAZZO
05		TERAZZO
06		PEDIGRID
07		TERAZZO
08		TERAZZO
09		TERAZZO
10		TERAZZO
11		DIVIDE STRIPS 3/4" ZINC - @ DESIGNS
12		DIVIDE STRIPS 1/2" ZINC TO DIVIDE POURS
13		WHERE WAVES EXTEND FROM EXISTING AREA INTO NEW AREAS, MATCH COLOR EXISTING
14		RUBBER FLOOR MATS

**RS&H**  
 Architectural, Engineering, Planning  
 and Environmental Services  
 Reynolds, Smith and Hills, Inc.  
 10748 Deerwood Park Boulevard South  
 Jacksonville, Florida 32256  
 904-256-2500 FAX 904-256-2501  
 www.rsandh.com  
 FL Cert. No. AAC001886 EB0005620 LGC000210

**JACKSONVILLE**  
 AVIATION AUTHORITY

**JACKSONVILLE**  
 INTERNATIONAL  
 AIRPORT

INTERIOR DESIGN  
 FLOOR FINISHES



Lic# ID 0002289  
 FL# 13 0001146  
 Kelly@kellytaafedesign.com  
 Tel.: 813.695.5049  
 Fax: 813.805.2371

**REVISIONS**

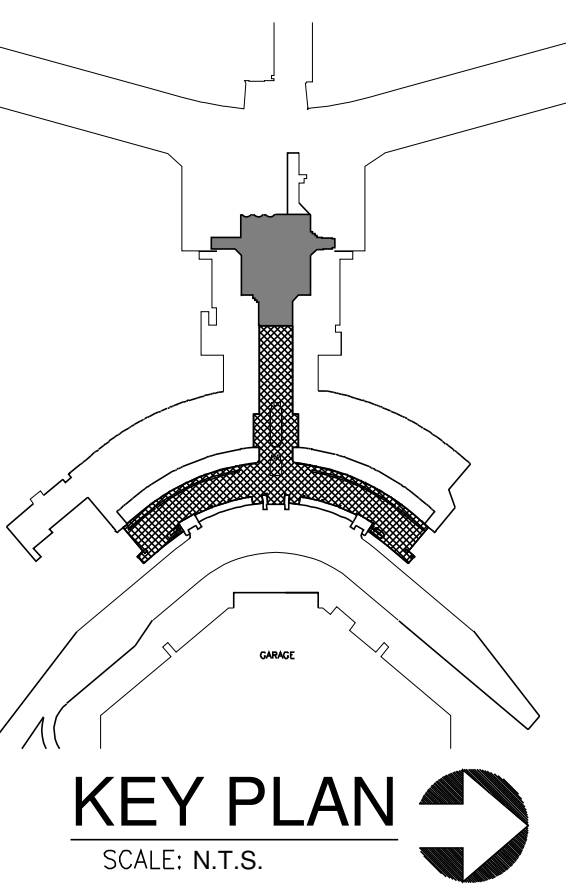
NO.	DESCRIPTION	DATE

DATE ISSUED: 05.08.2009  
 REVIEWED BY: KT  
 DRAWN BY: cAdvice.us - SB  
 DESIGNED BY: KTD, INC - KT  
 AEP PROJECT NUMBER  
 201-7262-009  
 © 2006 REYNOLDS, SMITH AND HILLS, INC.  
 SHEET TITLE

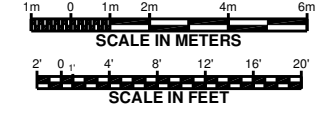
**TICKETING**  
**UPPER LEVEL**  
**FLOOR FINISHES**

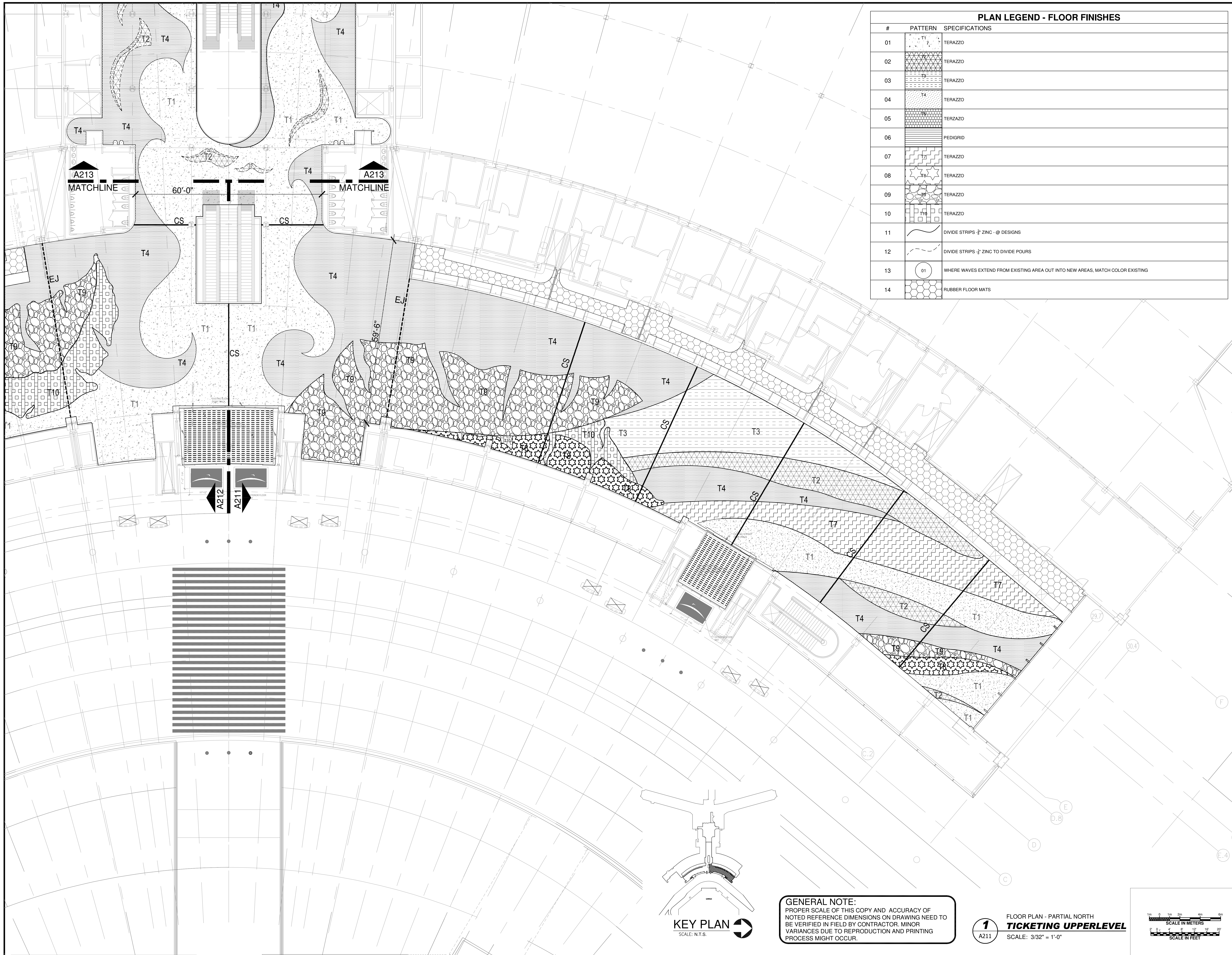
SHEET NUMBER  
**A210**  
 A12.0.0-V2.DWG

**GENERAL NOTE:**  
 PROPER SCALE OF THIS COPY AND ACCURACY OF  
 NOTED REFERENCE DIMENSIONS ON DRAWING NEED TO  
 BE VERIFIED IN FIELD BY CONTRACTOR. MINOR  
 VARIANCES DUE TO REPRODUCTION AND PRINTING  
 PROCESS MIGHT OCCUR.



FLOOR PLAN - OVERALL  
**1**  
**A210**  
**TICKETING UPPERLEVEL**  
 SCALE: 1/16" = 1'-0"





**PLAN LEGEND - FLOOR FINISHES**

#	PATTERN	SPECIFICATIONS
01	T1	TERAZZO
02	T2	TERAZZO
03	T3	TERAZZO
04	T4	TERAZZO
05	T5	TERAZZO
06		PEDIGRID
07	T7	TERAZZO
08	T8	TERAZZO
09	T9	TERAZZO
10	T10	TERAZZO
11		DIVIDE STRIPS 3/8" ZINC - @ DESIGNS
12		DIVIDE STRIPS 1/2" ZINC TO DIVIDE POURS
13	01	WHERE WAVES EXTEND FROM EXISTING AREA OUT INTO NEW AREAS, MATCH COLOR EXISTING
14		RUBBER FLOOR MATS

**RS&H**  
 Architectural, Engineering, Planning  
 and Environmental Services  
 Reynolds, Smith and Hills, Inc.  
 10748 Deerwood Park Boulevard South  
 Jacksonville, Florida 32256  
 904-256-2500 FAX 904-256-2501  
 www.rsandh.com  
 FL Cert. No. AAC001886 EB000520 LGC000210

**JACKSONVILLE**  
 AVIATION AUTHORITY

**JACKSONVILLE**  
 INTERNATIONAL  
 AIRPORT

INTERIOR DESIGN  
 FLOOR FINISHES



Lic# ID 0002289  
 FL# 13 0001146  
 Kelly@kellytaaffedesign.com  
 Tel.: 813.895.5049  
 Fax: 813.805.2371

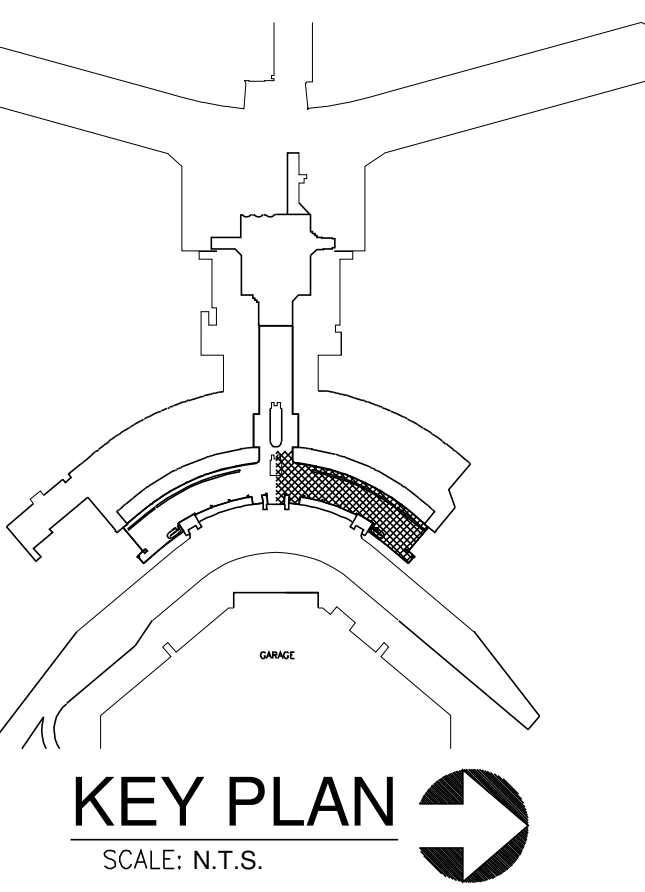
REVISIONS

NO.	DESCRIPTION	DATE

DATE ISSUED: 05.08.2009  
 REVIEWED BY: KT  
 DRAWN BY: cAdvice.us - SB  
 DESIGNED BY: KTD, INC - KT  
 AEP PROJECT NUMBER  
 201-7262-009  
 © 2006 REYNOLDS, SMITH AND HILLS, INC.  
 SHEET TITLE

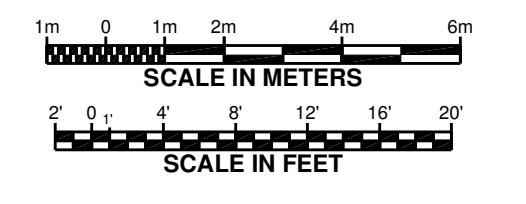
**TICKETING**  
**UPPER LEVEL**  
**FLOOR FINISHES**

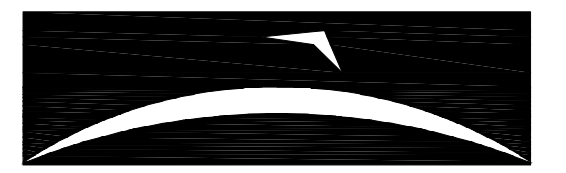
SHEET NUMBER  
**AI211**  
 AI2.0.0-V2.DWG



**GENERAL NOTE:**  
 PROPER SCALE OF THIS COPY AND ACCURACY OF  
 NOTED REFERENCE DIMENSIONS ON DRAWING NEED TO  
 BE VERIFIED IN FIELD BY CONTRACTOR. MINOR  
 VARIANCES DUE TO REPRODUCTION AND PRINTING  
 PROCESS MIGHT OCCUR.

**1**  
 A211 FLOOR PLAN - PARTIAL NORTH  
**TICKETING UPPERLEVEL**  
 SCALE: 3/32" = 1'-0"





REVISIONS

NO.	DESCRIPTION	DATE

DATE ISSUED: 05.08.2009  
REVIEWED BY: KT  
DRAWN BY: cAdvice.us - SB  
DESIGNED BY: KTD, INC - KT

AEP PROJECT NUMBER  
201-7262-009  
© 2006 REYNOLDS, SMITH AND HILLS, INC.

SHEET TITLE

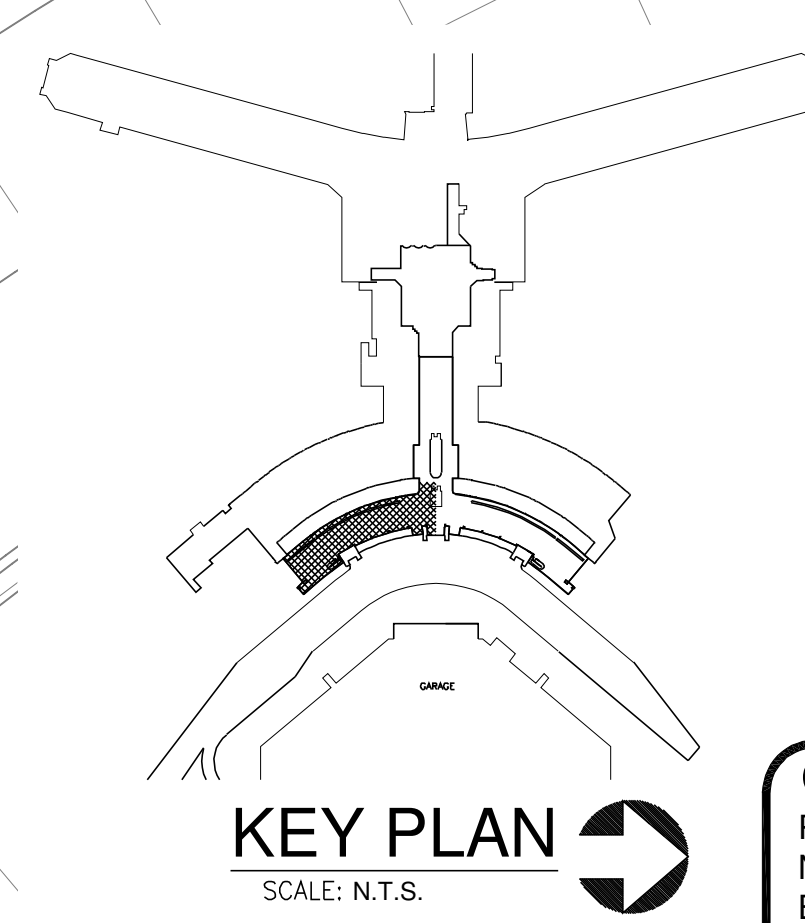
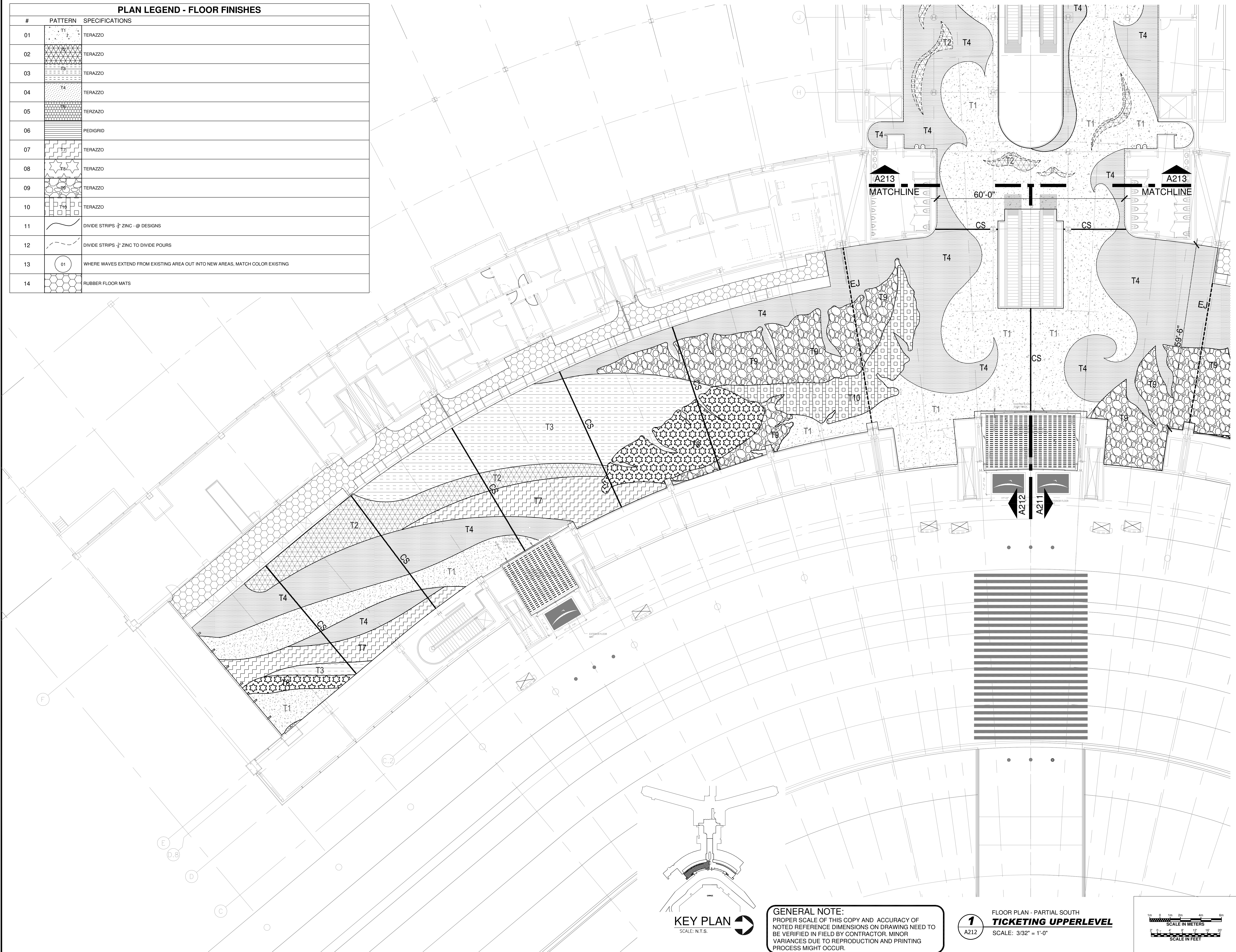
**TICKETING  
UPPER LEVEL  
FLOOR FINISHES**

SHEET NUMBER

**A212**  
A12.0.0-V2.DWG

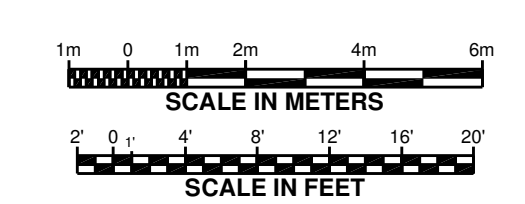
**PLAN LEGEND - FLOOR FINISHES**

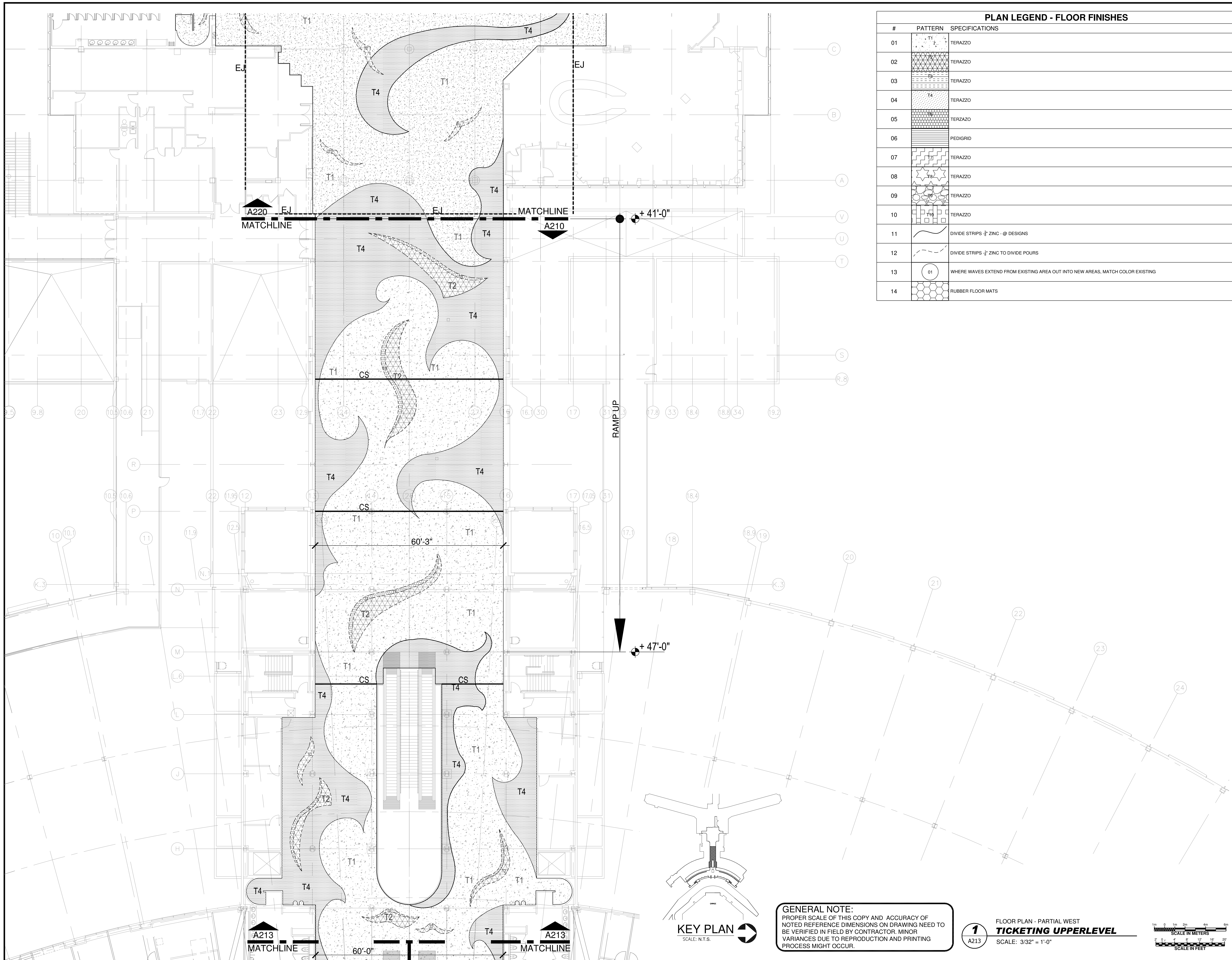
#	PATTERN	SPECIFICATIONS
01	T1	TERAZZO
02	T2	TERAZZO
03	T3	TERAZZO
04	T4	TERAZZO
05	T5	TERAZZO
06	CS	PEDIGRID
07	T7	TERAZZO
08	T8	TERAZZO
09	T9	TERAZZO
10	T10	TERAZZO
11		DIVIDE STRIPS - ZINC @ DESIGNS
12		DIVIDE STRIPS - ZINC TO DIVIDE POURS
13	01	WHERE WAVES EXTEND FROM EXISTING AREA OUT INTO NEW AREAS, MATCH COLOR EXISTING
14		RUBBER FLOOR MATS



**GENERAL NOTE:**  
PROPER SCALE OF THIS COPY AND ACCURACY OF NOTED REFERENCE DIMENSIONS ON DRAWING NEED TO BE VERIFIED IN FIELD BY CONTRACTOR. MINOR VARIANCES DUE TO REPRODUCTION AND PRINTING PROCESS MIGHT OCCUR.

**1**  
A212  
FLOOR PLAN - PARTIAL SOUTH  
**TICKETING UPPERLEVEL**  
SCALE: 3/32" = 1'-0"





**PLAN LEGEND - FLOOR FINISHES**

#	PATTERN	SPECIFICATIONS
01	T1	TERAZZO
02	T2	TERAZZO
03	T3	TERAZZO
04	T4	TERAZZO
05	T5	TERAZZO
06		PEDIGRID
07	T7	TERAZZO
08	T8	TERAZZO
09	T9	TERAZZO
10	T10	TERAZZO
11		DIVIDE STRIPS 3/8" ZINC @ DESIGNS
12		DIVIDE STRIPS 1/2" ZINC TO DIVIDE POURS
13	01	WHERE WAVES EXTEND FROM EXISTING AREA OUT INTO NEW AREAS, MATCH COLOR EXISTING
14		RUBBER FLOOR MATS

**RS&H**  
 Architectural, Engineering, Planning  
 and Environmental Services  
 Reynolds, Smith and Hills, Inc.  
 10748 Deerwood Park Boulevard South  
 Jacksonville, Florida 32256  
 904-256-2500 FAX 904-256-2501  
 www.rsandh.com  
 FL Cert. No. AAC001886 EB000520 LGC000210

**JACKSONVILLE**  
 AVIATION AUTHORITY

**JACKSONVILLE**  
 INTERNATIONAL  
 AIRPORT

INTERIOR DESIGN  
 FLOOR FINISHES



Lic# ID 0002289  
 FL# 13 0001146  
 Kelly@kellytaafedesign.com  
 Tel.: 813.695.5049  
 Fax: 813.805.2371

**REVISIONS**

NO.	DESCRIPTION	DATE

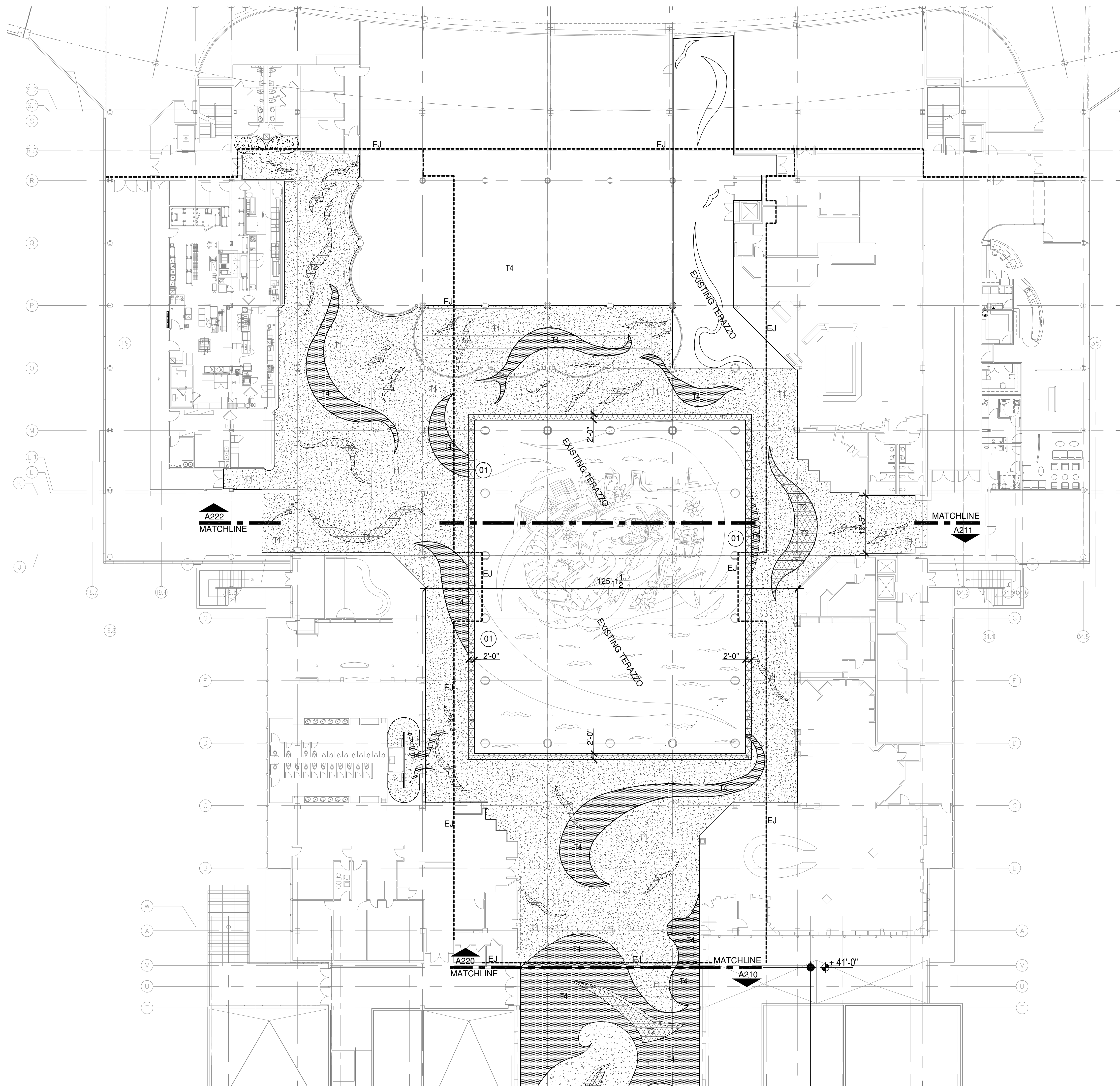
DATE ISSUED: 05.08.2009  
 REVIEWED BY: KT  
 DRAWN BY: cAdvice.us - SB  
 DESIGNED BY: KTD, INC - KT  
 AEP PROJECT NUMBER  
 201-7262-009  
 © 2006 REYNOLDS, SMITH AND HILLS, INC.  
 SHEET TITLE

**TICKETING**  
**UPPER LEVEL**  
**FLOOR FINISHES**

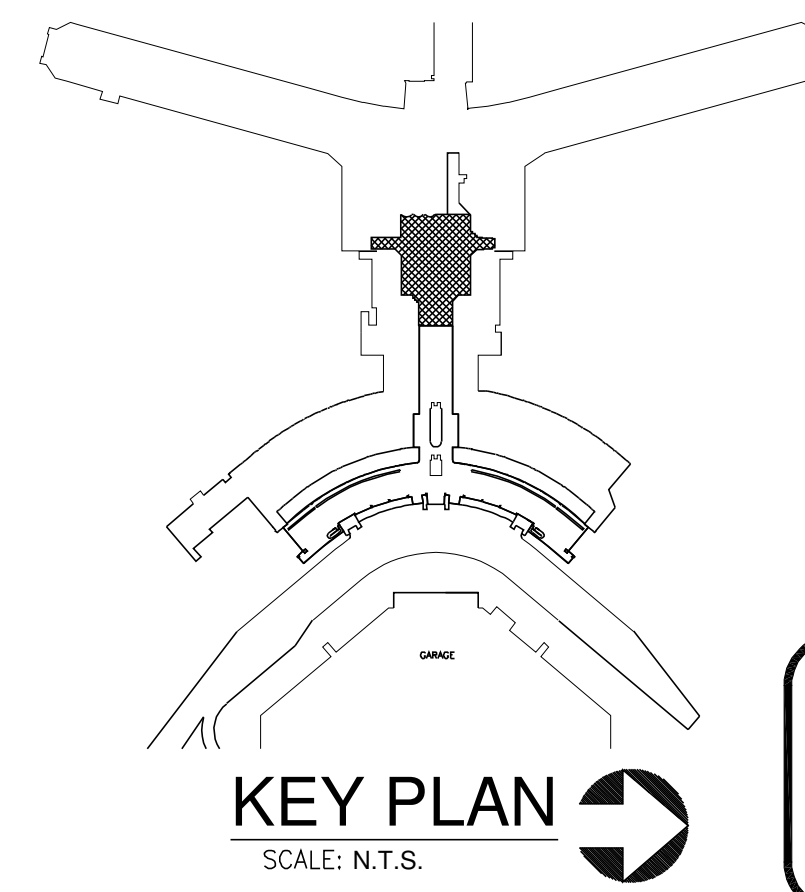
SHEET NUMBER  
**A213**  
 A12.0.0-V2.DWG

**GENERAL NOTE:**  
 PROPER SCALE OF THIS COPY AND ACCURACY OF  
 NOTED REFERENCE DIMENSIONS ON DRAWING NEED TO  
 BE VERIFIED IN FIELD BY CONTRACTOR. MINOR  
 VARIANCES DUE TO REPRODUCTION AND PRINTING  
 PROCESS MIGHT OCCUR.

**1**  
 A213  
 FLOOR PLAN - PARTIAL WEST  
**TICKETING UPPERLEVEL**  
 SCALE: 3/32" = 1'-0"  
 SCALE IN METERS  
 SCALE IN FEET

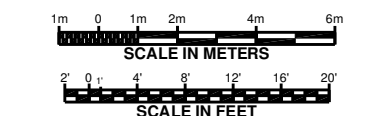


PLAN LEGEND - FLOOR FINISHES		
#	PATTERN	SPECIFICATIONS
01	T1	TERAZZO
02	T2	TERAZZO
03	T3	TERAZZO
04	T4	TERAZZO
05	T5	TERAZZO
06	PEDIGRID	
07	T7	TERAZZO
08	T8	TERAZZO
09	T9	TERAZZO
10	T10	TERAZZO
11		DIVIDE STRIPS 3/8" ZINC @ DESIGNS
12		DIVIDE STRIPS 1/2" ZINC TO DIVIDE POURS
13	O1	WHERE WAVES EXTEND FROM EXISTING AREA OUT INTO NEW AREAS, MATCH COLOR EXISTING
14		RUBBER FLOOR MATS



**GENERAL NOTE:**  
 PROPER SCALE OF THIS COPY AND ACCURACY OF NOTED REFERENCE DIMENSIONS ON DRAWING NEED TO BE VERIFIED IN FIELD BY CONTRACTOR. MINOR VARIANCES DUE TO REPRODUCTION AND PRINTING PROCESS MIGHT OCCUR.

**1** FLOOR PLAN - OVERALL  
**A220** **UPPER LEVEL CONCOURSE**  
 SCALE: 1/16" = 1'-0"



**RS&H**  
 Architectural, Engineering, Planning  
 and Environmental Services  
 Reynolds, Smith and Hills, Inc.  
 10748 Deerwood Park Boulevard South  
 Jacksonville, Florida 32256  
 904-256-2500 FAX 904-256-2501  
 www.rsandh.com  
 FL Cert. No. AAC001886 EB0005620 LGC000210



**JACKSONVILLE  
 INTERNATIONAL  
 AIRPORT**

**INTERIOR DESIGN  
 FLOOR FINISHES**



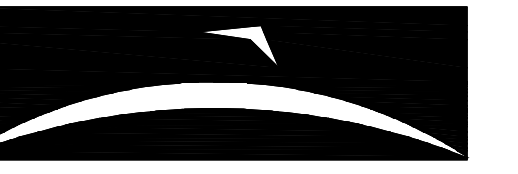
Lic# ID 0002289  
 FL# 13 0001146  
 Kelly@kellytaafedesign.com  
 Tel.: 813.695.5049  
 Fax: 813.805.2371

REVISIONS		
NO.	DESCRIPTION	DATE

DATE ISSUED: 05.08.2009  
 REVIEWED BY: KT  
 DRAWN BY: cAdvice.us - SB  
 DESIGNED BY: KTD,INC - KT  
 AEP PROJECT NUMBER  
 201-7262-009  
 © 2006 REYNOLDS, SMITH AND HILLS, INC.  
 SHEET TITLE

**CONCOURSE  
 UPPER LEVEL  
 FLOOR FINISHES**

SHEET NUMBER  
**A220**  
 A12.0.0-V2.DWG



REVISIONS

NO.	DESCRIPTION	DATE

DATE ISSUED: 05.08.2009  
REVIEWED BY: KT  
DRAWN BY: cAdvice.us - SB  
DESIGNED BY: KTD, INC - KT

AEP PROJECT NUMBER  
201-7262-009

© 2006 REYNOLDS, SMITH AND HILLS, INC.

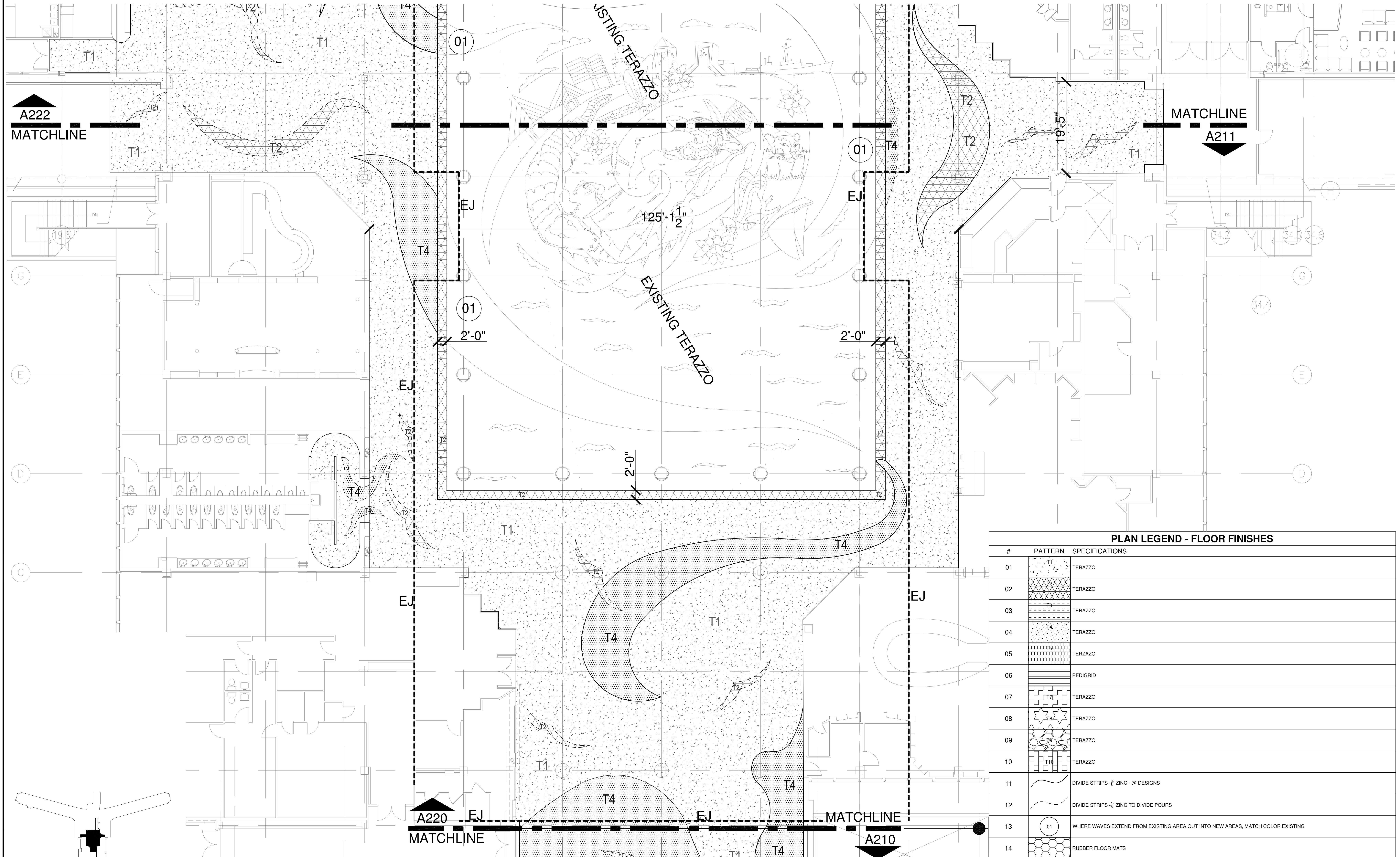
SHEET TITLE

**CONCOURSE  
UPPER LEVEL  
FLOOR FINISHES**

SHEET NUMBER

**A221**

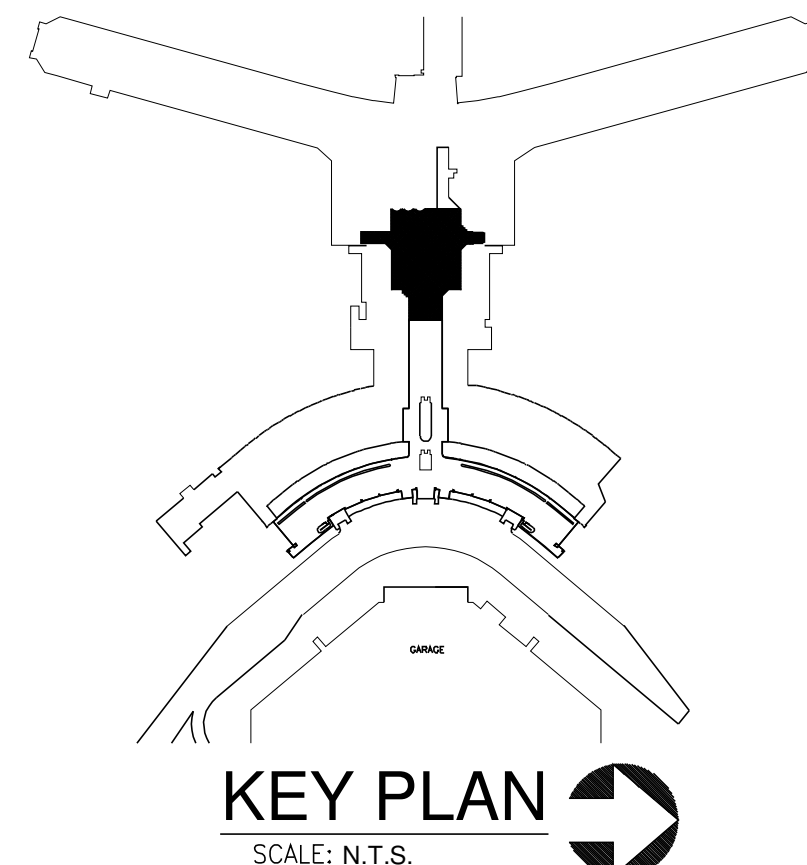
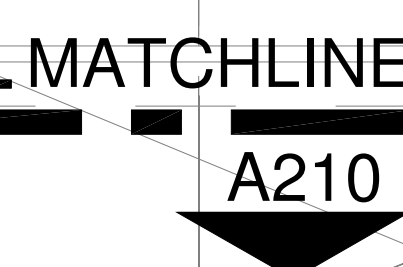
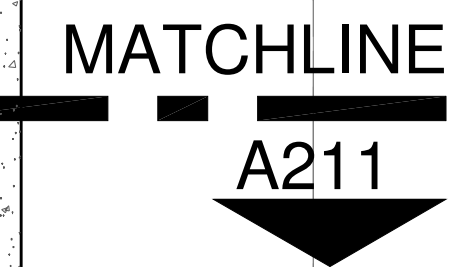
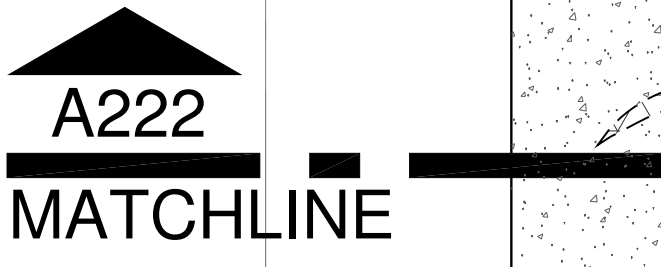
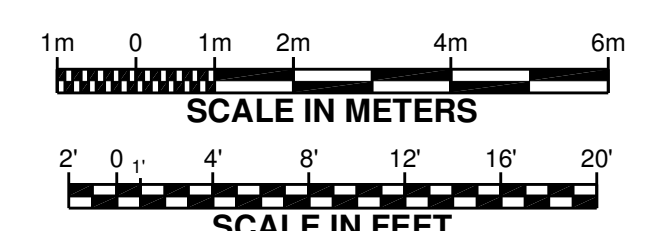
AL2.0.0-V2.DWG



PLAN LEGEND - FLOOR FINISHES		
#	PATTERN	SPECIFICATIONS
01	T1	TERAZZO
02	T2	TERAZZO
03	T3	TERAZZO
04	T4	TERAZZO
05	T5	TERAZZO
06		PEDIGRID
07	T7	TERAZZO
08	T8	TERAZZO
09	T9	TERAZZO
10	T10	TERAZZO
11		DIVIDE STRIPS 3/8" ZINC @ DESIGNS
12		DIVIDE STRIPS 3/8" ZINC TO DIVIDE POURS
13	01	WHERE WAVES EXTEND FROM EXISTING AREA OUT INTO NEW AREAS, MATCH COLOR EXISTING
14		RUBBER FLOOR MATS

**GENERAL NOTE:**  
PROPER SCALE OF THIS COPY AND ACCURACY OF NOTED REFERENCE DIMENSIONS ON DRAWING NEED TO BE VERIFIED IN FIELD BY CONTRACTOR. MINOR VARIANCES DUE TO REPRODUCTION AND PRINTING PROCESS MIGHT OCCUR.

**1**  
A221  
FLOOR PLAN - PARTIAL EAST  
**UPPER LEVEL CONCOURSE**  
SCALE: 1/8" = 1'-0"



PLAN LEGEND - FLOOR FINISHES		
#	PATTERN	SPECIFICATIONS
01		TERAZZO
02		TERAZZO
03		TERAZZO
04		TERAZZO
05		TERAZZO
06		PEDIGRID
07		TERAZZO
08		TERAZZO
09		TERAZZO
10		TERAZZO
11		DIVIDE STRIPS - ZINC @ DESIGNS
12		DIVIDE STRIPS - ZINC TO DIVIDE POURS
13		WHERE WAVES EXTEND FROM EXISTING AREA OUT INTO NEW AREAS, MATCH COLOR EXISTING
14		RUBBER FLOOR MATS

**GENERAL NOTE:**  
 PROPER SCALE OF THIS COPY AND ACCURACY OF NOTED REFERENCE DIMENSIONS ON DRAWING NEED TO BE VERIFIED IN FIELD BY CONTRACTOR. MINOR VARIANCES DUE TO REPRODUCTION AND PRINTING PROCESS MIGHT OCCUR.

**RS&H**  
 Architectural, Engineering, Planning and Environmental Services  
 Reynolds, Smith and Hills, Inc.  
 10748 Deerwood Park Boulevard South  
 Jacksonville, Florida 32256  
 904-256-2500 FAX 904-256-2501  
 www.rsandh.com  
 FL Cert No. AAC001886 EB000620 LGC000210

**JACKSONVILLE AVIATION AUTHORITY**

**JACKSONVILLE INTERNATIONAL AIRPORT**

**INTERIOR DESIGN FLOOR FINISHES**



Lic# ID 0002289  
 FL# 13 0001146  
 Kelly@kellytaaffedesign.com  
 Tel.: 813.695.5049  
 Fax: 813.805.2371

REVISIONS		
NO.	DESCRIPTION	DATE

DATE ISSUED: 05.08.2009  
 REVIEWED BY: KT  
 DRAWN BY: cAdvice.us - SB  
 DESIGNED BY: KTD, INC - KT  
 AEP PROJECT NUMBER  
 201-7262-009  
 © 2006 REYNOLDS, SMITH AND HILLS, INC.  
 SHEET TITLE

**CONCOURSE UPPER LEVEL FLOOR FINISHES**

SHEET NUMBER  
**A222**  
 AL2.0.0-V2.DWG

