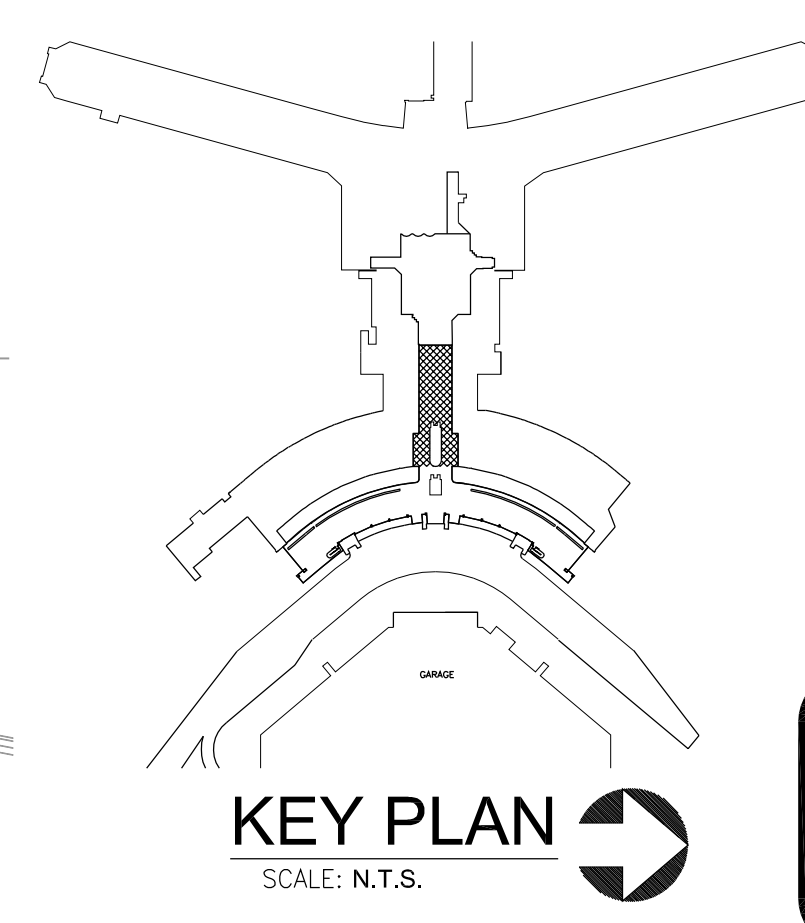


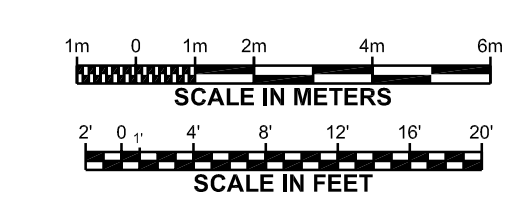
PLAN LEGEND - FLOOR FINISHES		
#	PATTERN	SPECIFICATIONS
01	T1	TERAZZO
02	T2	TERAZZO
03	T3	TERAZZO
04	T4	TERAZZO
05	T5	TERAZZO
06	PEDIGRID	PEDIGRID
07	T7	TERAZZO
08	T8	TERAZZO
09	T9	TERAZZO
10	T10	TERAZZO
11		DIVIDE STRIPS 3/8" ZINC - @ DESIGNS
12		DIVIDE STRIPS 1/2" ZINC TO DIVIDE POURS
13	01	WHERE WAVES EXTEND FROM EXISTING AREA OUT INTO NEW AREAS, MATCH COLOR EXISTING
14		RUBBER FLOOR MATS



**GENERAL NOTE:**  
 PROPER SCALE OF THIS COPY AND ACCURACY OF NOTED REFERENCE DIMENSIONS ON DRAWING NEED TO BE VERIFIED IN FIELD BY CONTRACTOR. MINOR VARIANCES DUE TO REPRODUCTION AND PRINTING PROCESS MIGHT OCCUR.

**1**  
A213

FLOOR PLAN - PARTIAL WEST  
**TICKETING UPPER LEVEL**  
 SCALE: 3/32" = 1'-0"



**RS&H**  
**TEAM**  
 Jacksonville, Florida 32256  
 904-256-2500 FAX 904-256-2501  
 FL Cert No. AAC01886 EB0005620 LCC00210

Reynolds, Smith and Hills, Inc.  
 KBJ Architects, Inc.  
 RINK DESIGN PARTNERSHIP INC.  
 RENAISSANCE DESIGN BUILD GROUP



JACKSONVILLE  
 INTERNATIONAL  
 AIRPORT  
 TERMINAL  
 EXPANSION

STAGE 3 1/2  
 CONNECTOR BRIDGE  
 LEVELIZATION PROJECT

**RS&H**  
 Architectural, Engineering, Planning  
 and Environmental Services

Reynolds, Smith and Hills, Inc.  
 1748 Deerwood Park Boulevard South  
 Jacksonville, Florida 32256  
 904-256-2500 FAX 904-256-2501  
 www.rsandh.com  
 FL Cert No. AAC01886 EB0005620 LCC00210

**KTD Inc.**  
 Kelly Taaffe Design  
 Lic# ID 0002289  
 FL# 13 0001146  
 Kelly@kellytaaffedesign.com  
 Tel.: 813.695.5049  
 Fax: 813.805.2371

REVISIONS		
NO.	DESCRIPTION	DATE

DATE ISSUED: SEPTEMBER 2009  
 REVIEWED BY: PHH  
 DRAWN BY: DJ  
 DESIGNED BY: AC

AEP PROJECT NUMBER  
 201-9475-000  
 © 2009 REYNOLDS, SMITH AND HILLS, INC.

SHEET TITLE  
**SECOND FLOOR  
 PLAN  
 TICKETING  
 UPPER LEVEL  
 FLOOR FINISHES**  
 SHEET NUMBER  
**A213**  
 LEVEL-2.DWG  
 SCHEMATIC  
 DESIGN