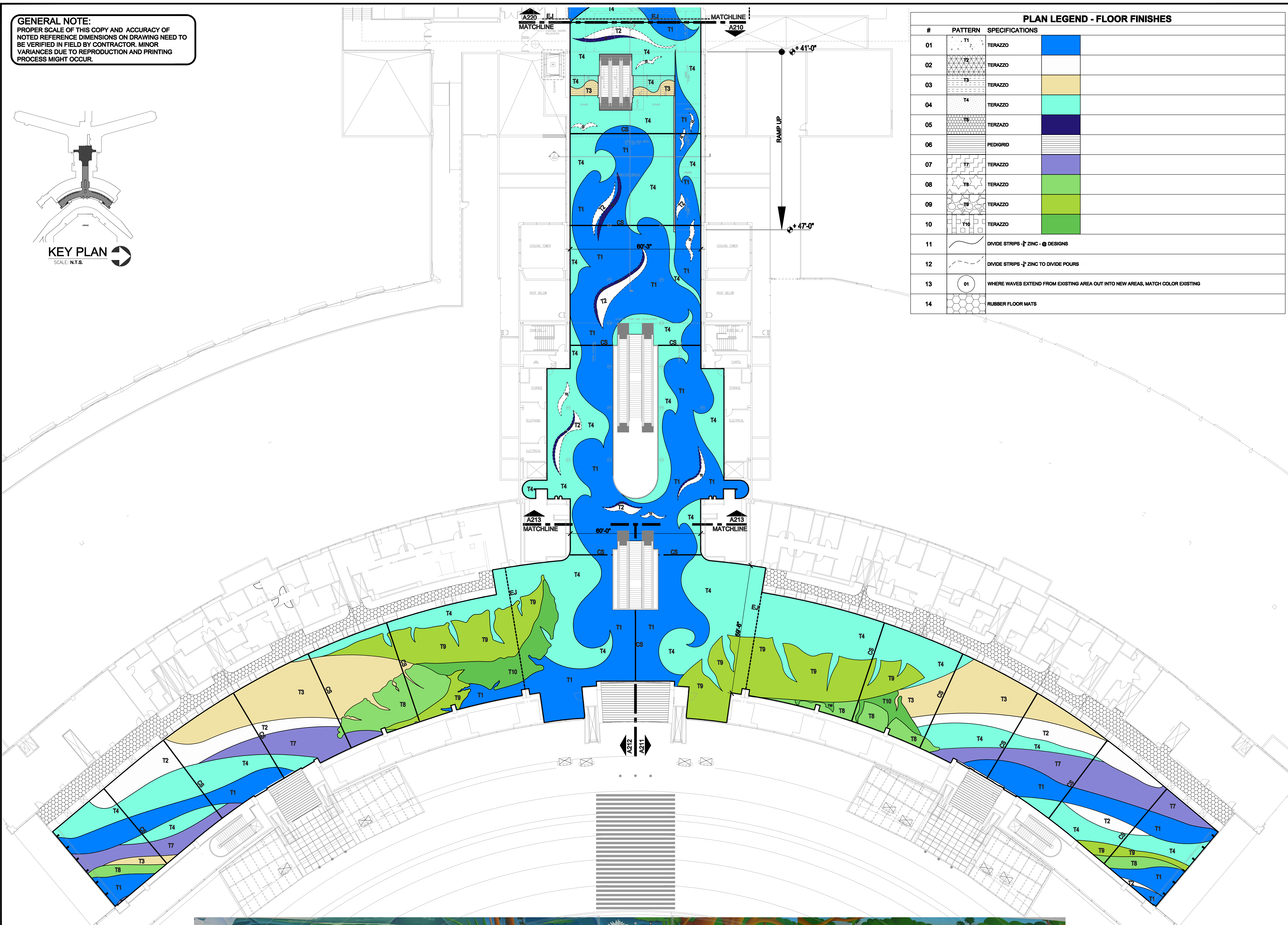
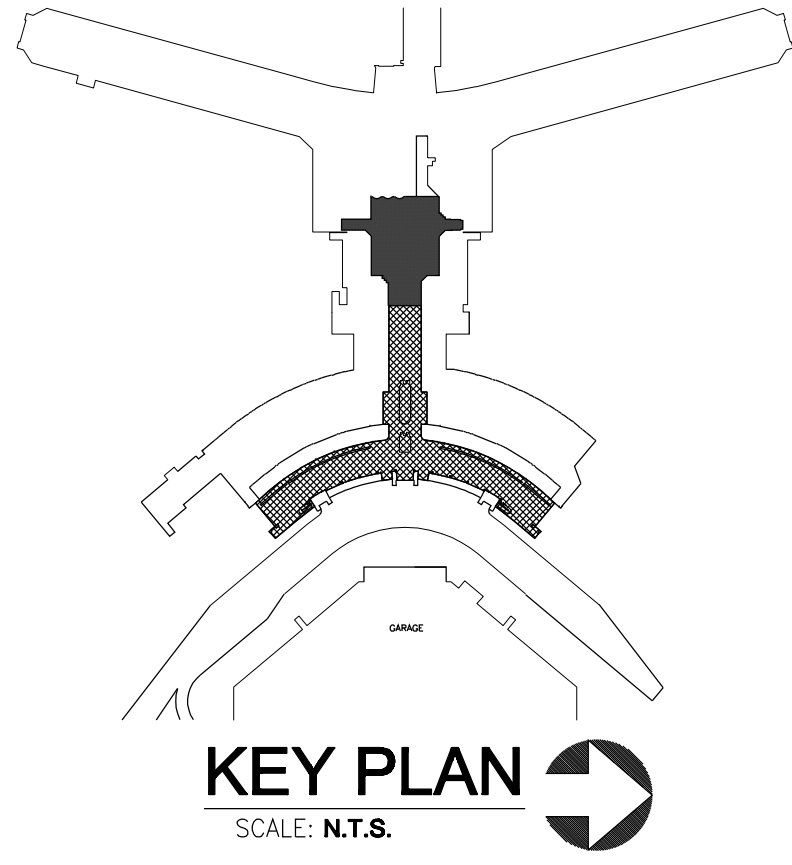
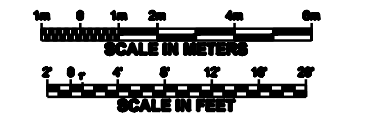


GENERAL NOTE:
 PROPER SCALE OF THIS COPY AND ACCURACY OF NOTED REFERENCE DIMENSIONS ON DRAWING NEED TO BE VERIFIED IN FIELD BY CONTRACTOR. MINOR VARIANCES DUE TO REPRODUCTION AND PRINTING PROCESS MIGHT OCCUR.



PLAN LEGEND - FLOOR FINISHES			
#	PATTERN	SPECIFICATIONS	
01	T1	TERAZZO	[Color swatch]
02	T2	TERAZZO	[Color swatch]
03	T3	TERAZZO	[Color swatch]
04	T4	TERAZZO	[Color swatch]
05	T5	TERAZZO	[Color swatch]
06		PEDIGRID	[Color swatch]
07	T7	TERAZZO	[Color swatch]
08	T8	TERAZZO	[Color swatch]
09	T9	TERAZZO	[Color swatch]
10	T10	TERAZZO	[Color swatch]
11		DIVIDE STRIPS - 1/2" ZINC - @ DESIGNS	
12		DIVIDE STRIPS - 1/2" ZINC TO DIVIDE POURS	
13	01	WHERE WAVES EXTEND FROM EXISTING AREA OUT INTO NEW AREAS, MATCH COLOR EXISTING	
14		RUBBER FLOOR MATS	

1
 A210
 FLOOR PLAN - OVERALL
TICKETING UPPERLEVEL
 SCALE: 1/16" = 1'-0"



RS&H
TEAM
 Jacksonville, Florida 32256
 904-258-2500 FAX 904-258-2501
 FL.Cad.No. A4200409 EB000620 LOC000210

Reynolds, Smith and Hills, Inc.
 KPJ Architects, Inc.
 RINK DESIGN PARTNERSHIP INC.
 RENAISSANCE DESIGN BUILD GROUP

JACKSONVILLE
 AVIATION AUTHORITY

JACKSONVILLE
 INTERNATIONAL
 AIRPORT
 TERMINAL
 EXPANSION

STAGE 3 1/2
 CONNECTOR BRIDGE
 LEVELIZATION PROJECT

RS&H
 Architectural, Engineering, Planning
 and Environmental Services

Reynolds, Smith and Hills, Inc.
 15745 Deerwood Park Boulevard
 Jacksonville, Florida 32256
 904-258-2500 FAX 904-258-2501
 www.rsandh.com
 FL.Cad.No. A4200409 EB000620 LOC000210

KTD inc.
 Kelly Taaffe Design
 Kelly Taaffe Design
 Lic# 10 0002289
 FL# 13 0001146
 Kelly@kellytaaffedesign.com
 Tel.: 813.895.5049
 Fax: 813.805.2371

REVISIONS		
NO.	DESCRIPTION	DATE

DATE ISSUED: SEPTEMBER 2009
 REVIEWED BY: PHH
 DRAWN BY: DJ
 DESIGNED BY: AC

AEP PROJECT NUMBER
 201-9475-000

© 2009 REYNOLDS, SMITH AND HILLS INC.

SHEET TITLE
SECOND FLOOR
PLAN
TICKETING
UPPER LEVEL
FLOOR FINISHES

SHEET NUMBER
A210
 LEVEL-3-REV-COLOR 3.DWG

SHEMATIC
 DESIGN