



Kelly Taaffe Design
KELLY TAAFFE DESIGN

Lic# ID 0002289
FL# 13 0001146
kelly@kellytaaffedesign.com
Tel.: 813.695.5049
Fax: 813.805.2371

IN-LINE EDS
BAGGAGE
HANDLING SYSTEM
AND
TERMINAL REHAB.

REVISIONS

NO.	DESCRIPTION	DATE

DATE ISSUED: NOVEMBER 06, 2014
REVIEWED BY:
DRAWN BY:
DESIGNED BY:

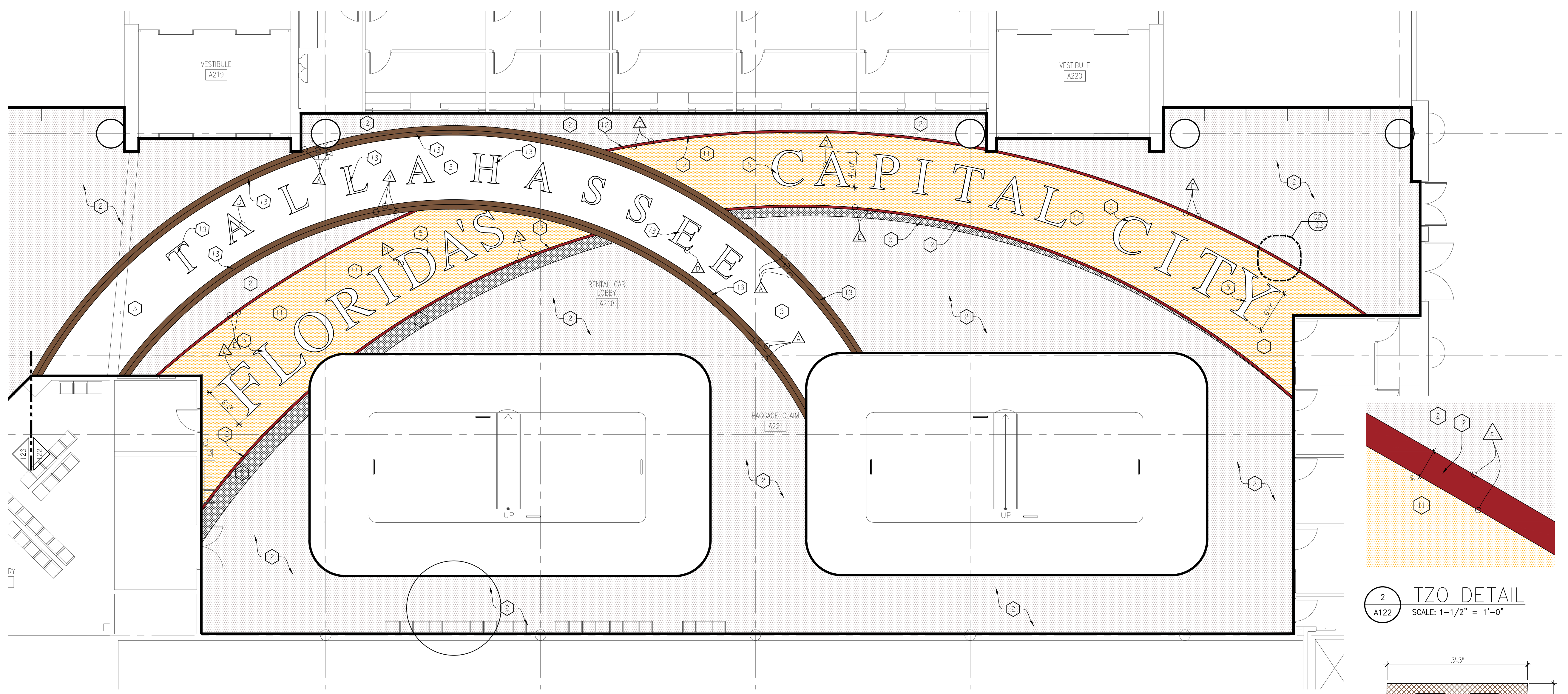
AEP PROJECT NUMBER
201-2494-000
© 2014 RS&H, INC.
SHEET TITLE

SECOND FLOOR
PLAN AREA C
FLOOR FINISHES

SHEET NUMBER

INT-122

100% DESIGN
SUBMITTAL

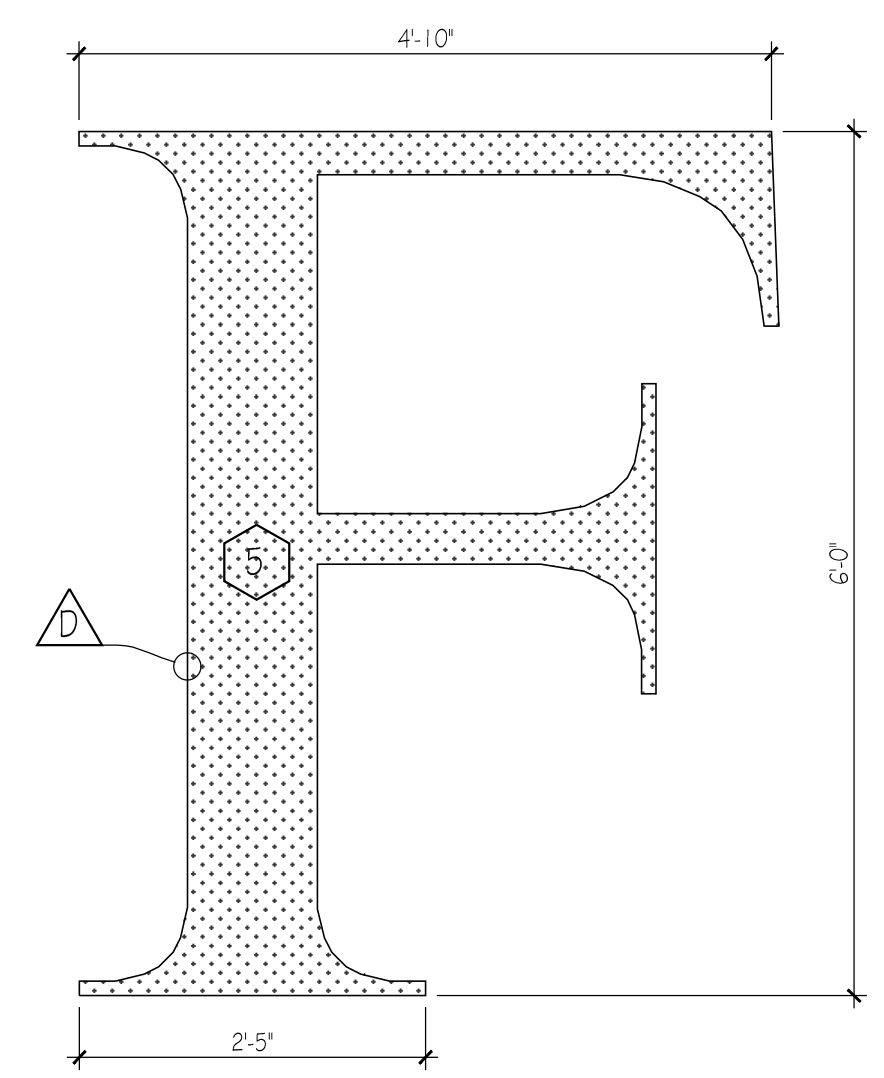


1 SECOND FLOOR PLAN AREA C
SCALE: 1/8" = 1'-0"

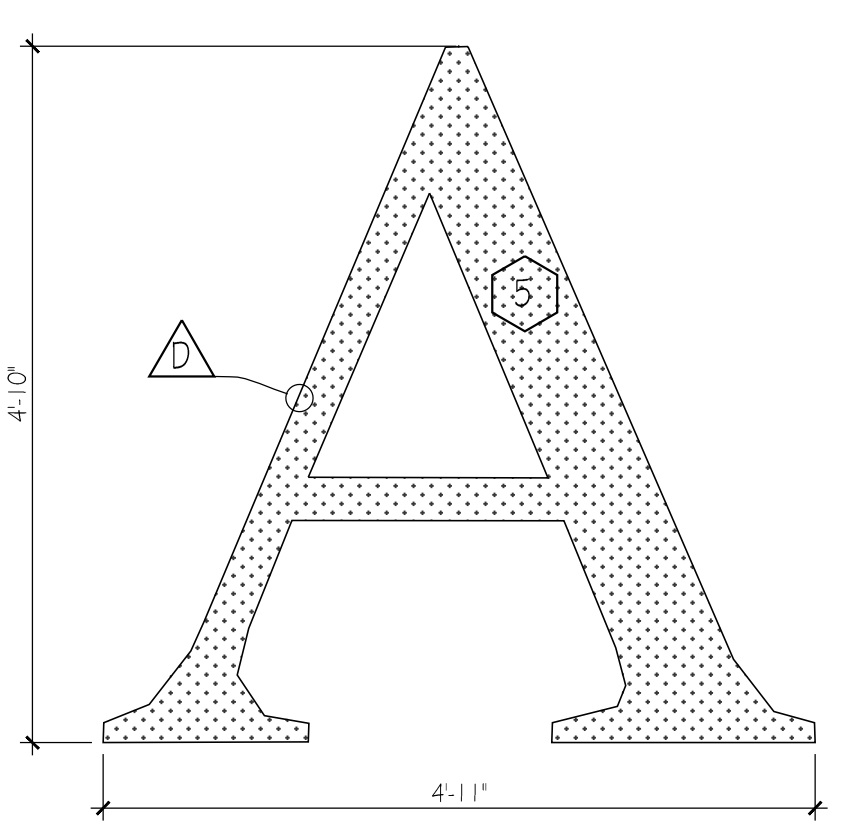
LEGEND

○ T21	MAIN CONCOURSE - WHITE / COLORED GLASS
○ T22	DOVE GRAY (LIGHT)
○ T23	WHITE - PLAIN
○ T24	GARY TINT (GRAY-WHITE)
○ T25	SHADOW GRAY
○ T26	ALL YELLOW WINDOW - USE CLEAR EPOXY W/TINTED CRACK MEMBRANE SUBSTRATE
○ T27	BLUE WINDOW - USE CLEAR EPOXY
○ T28	GREEN WINDOW - USE CLEAR EPOXY
○ T29	GOLD WINDOW (AROUND CIRCLES)
○ T210	BLACK, SEAL
○ T211	GOLD REGULAR, SEAL
○ T212	BRONZE
○ T213	SILVER
○ T214	GREEN-REGULAR, SEAL
○ T215	ORANGE, SEAL
○ T216	BLUE-REGULAR, SEAL
○ T217	RED, SEAL
TZ BASE	FLOOR BOARDS 'TZ 2" THROUGHOUT
△ STRIP A	ALUM 3/8" X 3/8"
△ STRIP B	ALUM 3/8" X 1/4"
△ STRIP C	ALUM 3/8" X 1/8"
△ STRIP D	ALUM 3/8" X 1/6" GUAGE
△ STRIP E	BRASS 3/8" X 1/4"
△ STRIP F	BRASS 3/8" X 1/8"
△ STRIP G	ZINC 3/8" X 1/6" GUAGE

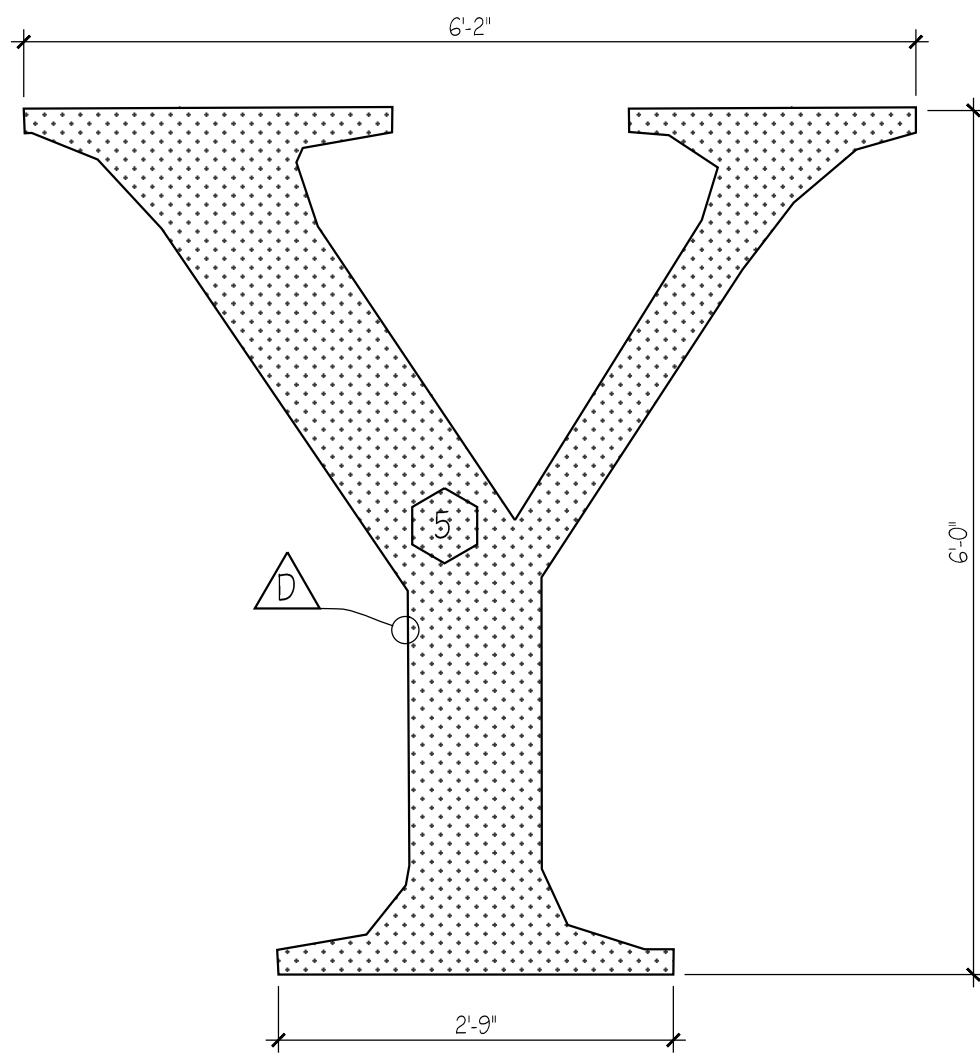
NOTE: PRINTED COLORS ARE NOT REPRESENTATIVE OF INSTALLED PRODUCT. (SEE PHYSICAL CONTROL SAMPLES)



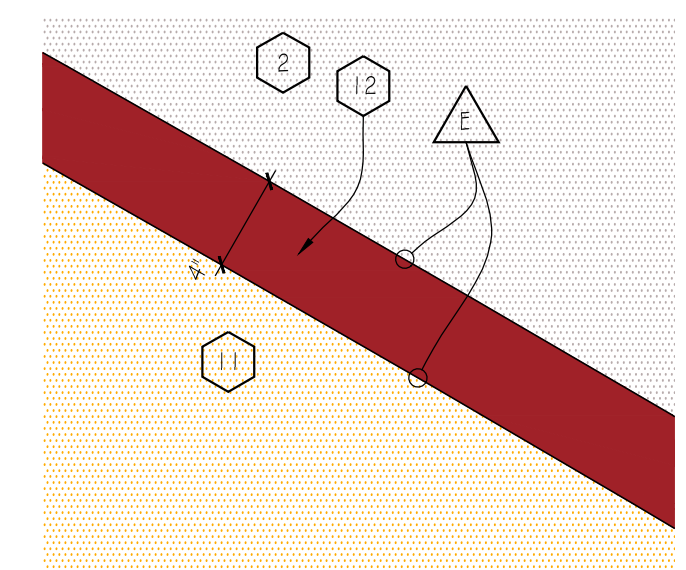
4 TZO FONT - FLORIDA
SCALE: 3/4" = 1'-0" (LARGEST FONT)



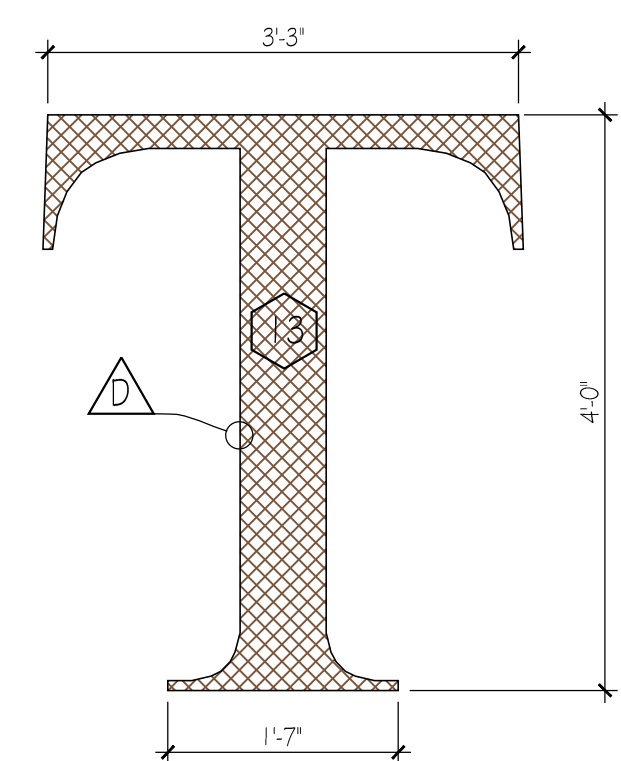
5 TZO FONT - FLORIDA
SCALE: 3/4" = 1'-0" (SMALLEST FONT)



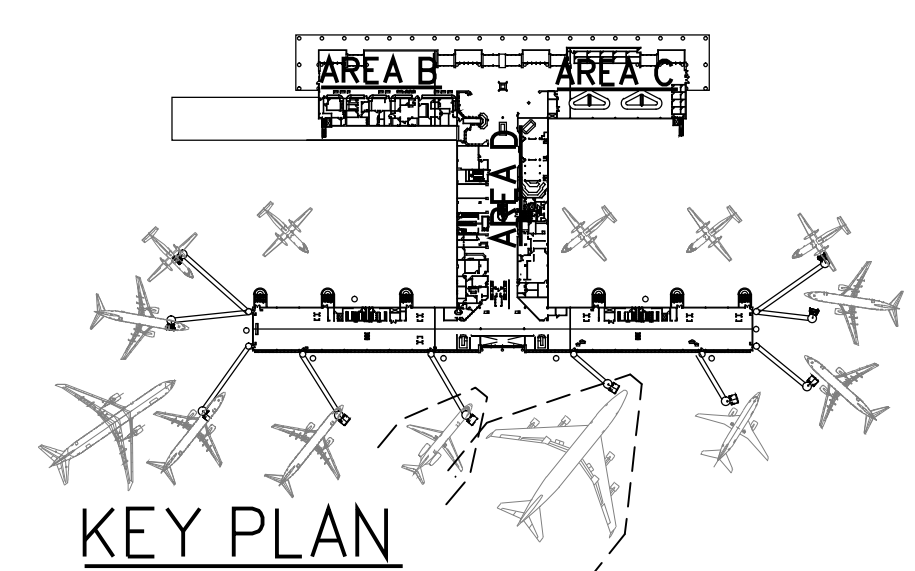
6 TZO FONT - FLORIDA
SCALE: 3/4" = 1'-0" (LARGEST FONT)



2 TZO DETAIL
SCALE: 1-1/2" = 1'-0"



3 TZO FONT - TALLAHASSEE
SCALE: 3/4" = 1'-0" (ALL FONTS SAME SIZE)



KEY PLAN

NOT FOR CONSTRUCTION