

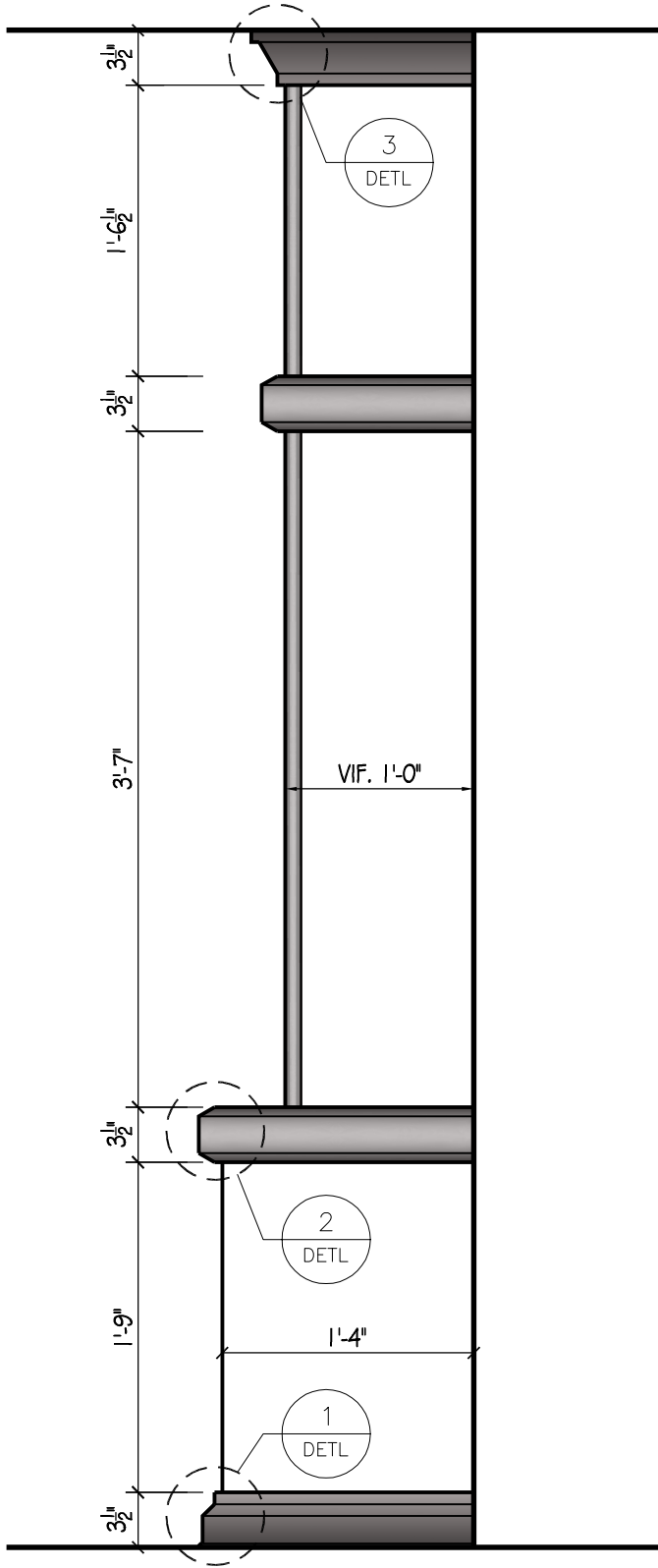
Lic# ID 0002289  
 FL# 13 0001146  
 Kelly@kellytaaffedesign.com  
 Tel.: 813.695.5049  
 Fax: 813.805.2371

# THE CREWS RESIDENCE

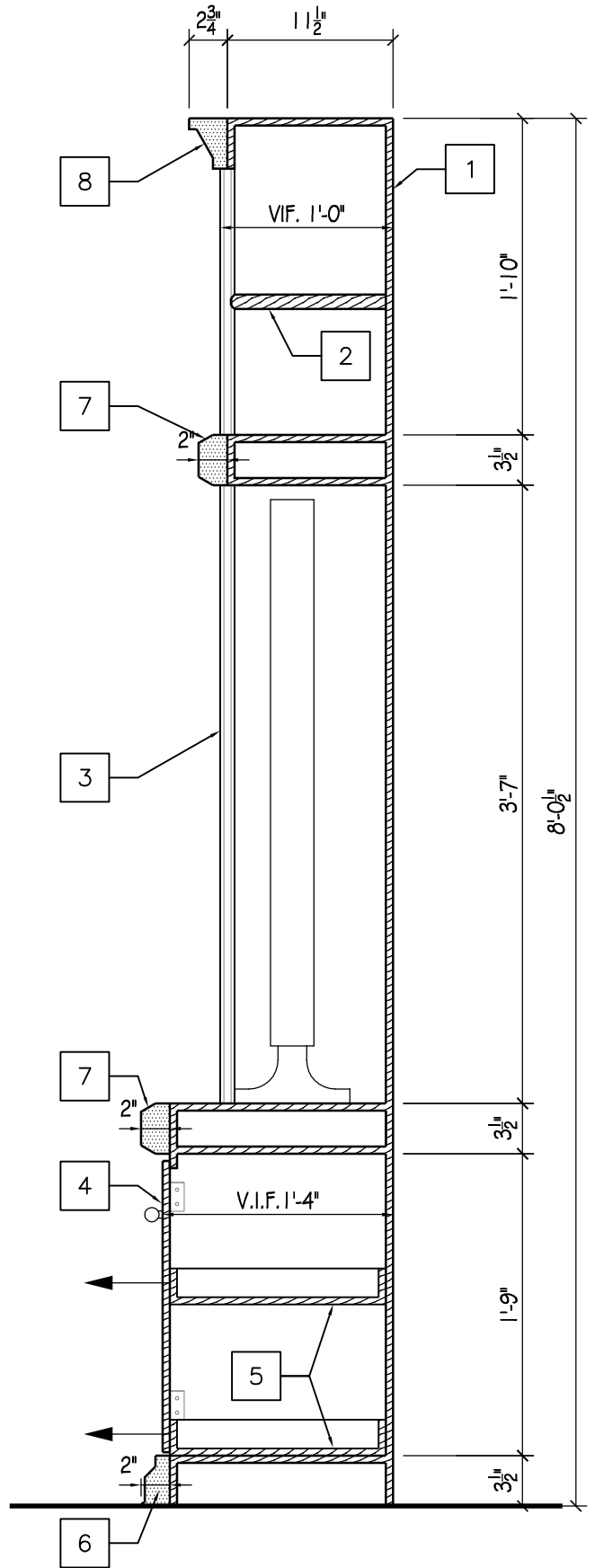
4515 W. BROOKWOOD DR, TAMPA, FL 33629

ALTERNATE: G  
 SCALE 3/4" = 1'-0"  
 crews\_reco13242012 1:47 PM  
 computer aided design Advice

VENT FOR AV CIRCULATION AS NEEDED. MILLWORKER TO FIELD VERIFY FINAL CONDITIONS. NOTE: EXISTING WALL UNIT HAS FALSE BACK TO BE REMOVED FOR NEW MILLWORK. MILLWORKER TO PERFORM EXPLORATORY DEMOLITION TO DEFINE EXACT FINAL DIMENSIONS.



SIDE VIEW FROM RIGHT



SECTION VIEW: #1



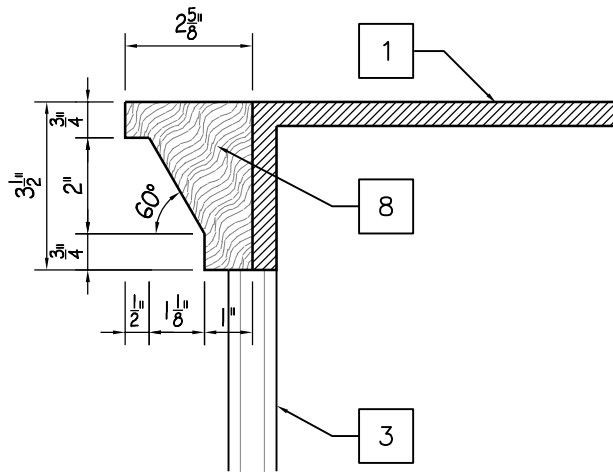
Lic# ID 0002289  
 FL# 13 0001146  
 Kelly@kellytaaffedesign.com  
 Tel.: 813.695.5049  
 Fax: 813.805.2371

**THE CREWS RESIDENCE**  
 4515 W. BROOKWOOD DR, TAMPA, FL 33629

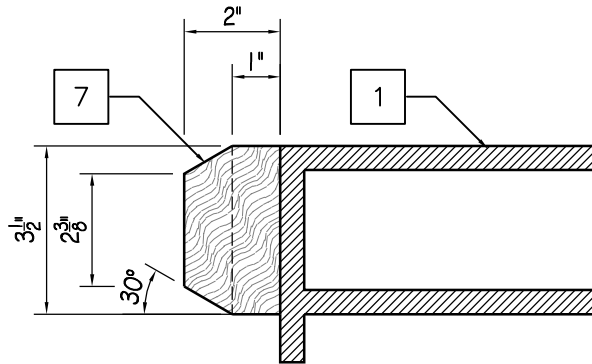
**SECTIONS**  
 SCALE 1" = 1'-0"

crews.dwg 12/8/2012 8:27 AM

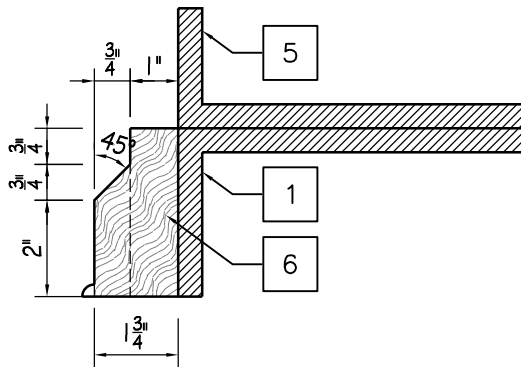




DETAIL : #3, SCALE: 3"=1'-0"



DETAIL : #2, SCALE: 3"=1'-0"



DETAIL : #1, SCALE: 3"=1'-0"