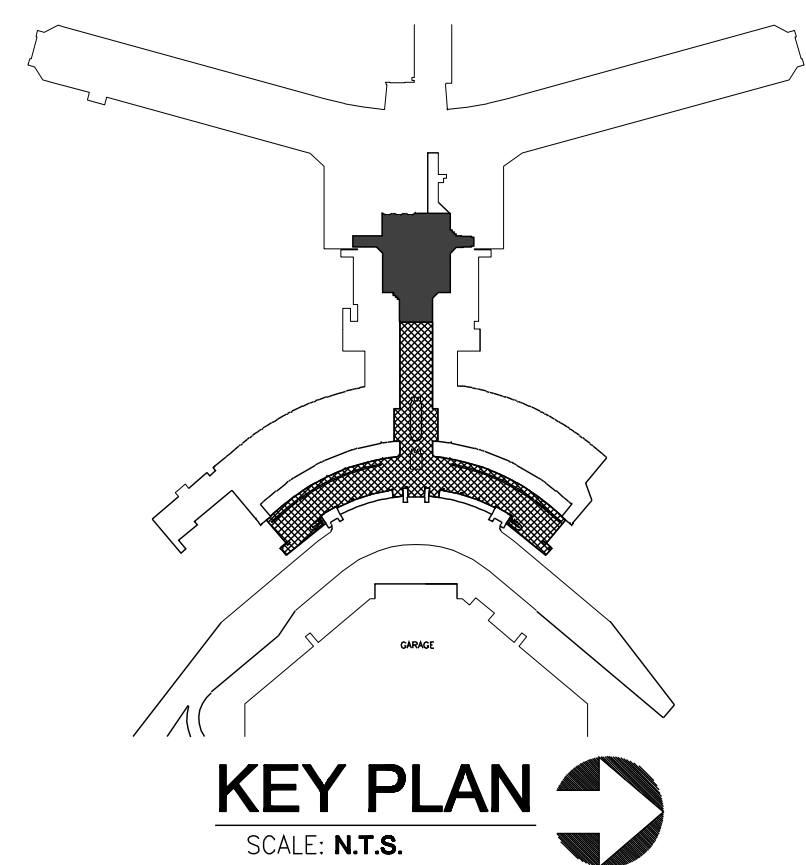


PLAN LEGEND - FLOOR FINISHES

#	PATTERN	SPECIFICATIONS
01	T1	TERAZZO
02	T2	TERAZZO
03	T3	TERAZZO
04	T4	TERAZZO
05	T5	TERAZZO
06		PEDIGRID
07	T7	TERAZZO
08	T8	TERAZZO
09	T9	TERAZZO
10	T10	TERAZZO
11		DIVIDE STRIPS - ZINC - @ DESIGNS
12		DIVIDE STRIPS - ZINC TO DIVIDE POURS
13	01	WHERE WAVES EXTEND FROM EXISTING AREA OUT INTO NEW AREAS, MATCH COLOR EXISTING
14		RUBBER FLOOR MATS

GENERAL NOTE:
 PROPER SCALE OF THIS COPY AND ACCURACY OF NOTED REFERENCE DIMENSIONS ON DRAWING NEED TO BE VERIFIED IN FIELD BY CONTRACTOR. MINOR VARIANCES DUE TO REPRODUCTION AND PRINTING PROCESS MIGHT OCCUR.

1
 A200
 FLOOR PLAN - OVERALL
TICKETING UPPERLEVEL
 SCALE: 1/32" = 1'-0"



RS&H
TEAM
 Jacksonville, Florida 32256
 904-256-2500 FAX 904-256-2501
 FLDist.No. A4201006 EB000603 LOC00210

Reynolds, Smith and Hills, Inc.
 KPJ Architects, Inc.
 RINK DESIGN PARTNERSHIP INC.
 RENAISSANCE DESIGN BUILD GROUP

JACKSONVILLE
 AVIATION AUTHORITY

JACKSONVILLE
 INTERNATIONAL
 AIRPORT
 TERMINAL
 EXPANSION

STAGE 3 1/2
 CONNECTOR BRIDGE
 LEVELIZATION PROJECT

RS&H
 Architectural, Engineering, Planning
 and Environmental Services

Reynolds, Smith and Hills, Inc.
 Jacksonville, Florida 32256
 904-256-2500 FAX 904-256-2501
 www.rsandh.com
 FLDist.No. A4201006 EB000603 LOC00210

KTD Inc.
 Kelly Taaffe Design
 Kelly Taaffe Design
 Lic# 10 0602269
 FL# 13 0001146
 Kelly@kellytaaffedesign.com
 Tel.: 813.895.5049
 Fax: 813.805.2371

REVISIONS

NO.	DESCRIPTION	DATE

DATE ISSUED: SEPTEMBER 2009
 REVIEWED BY: PHH
 DRAWN BY: DJ
 DESIGNED BY: AC

AEP PROJECT NUMBER
 201-9475-000

© 2009 REYNOLDS, SMITH AND HILLS INC.

SHEET TITLE
SECOND FLOOR
PLAN
TICKETING
UPPER LEVEL
FLOOR FINISHES

SHEET NUMBER
A200
 LEVEL-2-REV-COLOR_3.DWG
SCHEMATIC
DESIGN