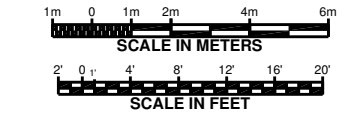


| PLAN LEGEND - FLOOR FINISHES |          |  |                           |
|------------------------------|----------|--|---------------------------|
| #                            | PATTERN  | SPECIFICATIONS   |                           |
| 01                           | T1       | TERAZZO  | [Blue swatch]             |
| 02                           | T2       | TERAZZO  | [White swatch]            |
| 03                           | T3       | TERAZZO  | [Yellow swatch]           |
| 04                           | T4       | TERAZZO  | [Cyan swatch]             |
| 05                           | T5       | TERAZZO  | [Purple swatch]           |
| 06                           | PEDIGRID |  | [Pedigrid pattern swatch] |
| 07                           | T7       | TERAZZO  | [Light Blue swatch]       |
| 08                           | T8       | TERAZZO  | [Light Green swatch]      |
| 09                           | T9       | TERAZZO  | [Light Yellow swatch]     |
| 10                           | T10      | TERAZZO  | [Green swatch]            |
| 11                           |          | DIVIDE STRIPS 3/4" ZINC @ DESIGNS  |                           |
| 12                           |          | DIVIDE STRIPS 3/4" ZINC TO DIVIDE POURS  |                           |
| 13                           | 01       | WHERE WAVES EXTEND FROM EXISTING AREA OUT INTO NEW AREAS, MATCH COLOR EXISTING |                           |
| 14                           |          | RUBBER FLOOR MATS  |                           |

**GENERAL NOTE:**  
 PROPER SCALE OF THIS COPY AND ACCURACY OF NOTED REFERENCE DIMENSIONS ON DRAWING NEED TO BE VERIFIED IN FIELD BY CONTRACTOR. MINOR VARIANCES DUE TO REPRODUCTION AND PRINTING PROCESS MIGHT OCCUR.

**KEY PLAN**  
 SCALE: N.T.S.

**1**  
 A200  
 FLOOR PLAN - OVERALL  
**TICKETING UPPERLEVEL**  
 SCALE: 1/32" = 1'-0"



**RS&H**  
**TEAM**  
 Jacksonville, Florida 32256  
 904-256-2500 FAX 904-256-2501  
 FL.Cad.No. AAC201886-ED000520 LCC000210

Reynolds, Smith and Hills, Inc.  
 KBJ Architects, Inc.  
 RINK DESIGN PARTNERSHIP INC.  
 RENAISSANCE DESIGN BUILD GROUP



**JACKSONVILLE**  
 INTERNATIONAL  
 AIRPORT  
 TERMINAL  
 EXPANSION

**STAGE 3 1/2**  
**CONNECTOR BRIDGE**  
**LEVELIZATION PROJECT**

**RS&H**  
 Architectural, Engineering, Planning  
 and Environmental Services

Reynolds, Smith and Hills, Inc.  
 1745 Deerpark Boulevard South  
 Jacksonville, Florida 32256  
 904-256-2500 FAX 904-256-2501  
 www.rsandh.com  
 FL.Cad.No. AAC201886-ED000520 LCC000210

**KTD Inc.**  
*Design*  
 KELLY TAAFFE DESIGN  
 Lic# ID 0002289  
 FL# 13 0001146  
 Kelly@kellytaaffedesign.com  
 Tel.: 813.695.5049  
 Fax: 813.805.2371

REVISIONS

| NO. | DESCRIPTION | DATE |
|-----|-------------|------|
|     |             |      |
|     |             |      |
|     |             |      |
|     |             |      |
|     |             |      |
|     |             |      |
|     |             |      |
|     |             |      |
|     |             |      |
|     |             |      |

DATE ISSUED: SEPTEMBER 2009  
 REVIEWED BY: PHH  
 DRAWN BY: DJ  
 DESIGNED BY: AC

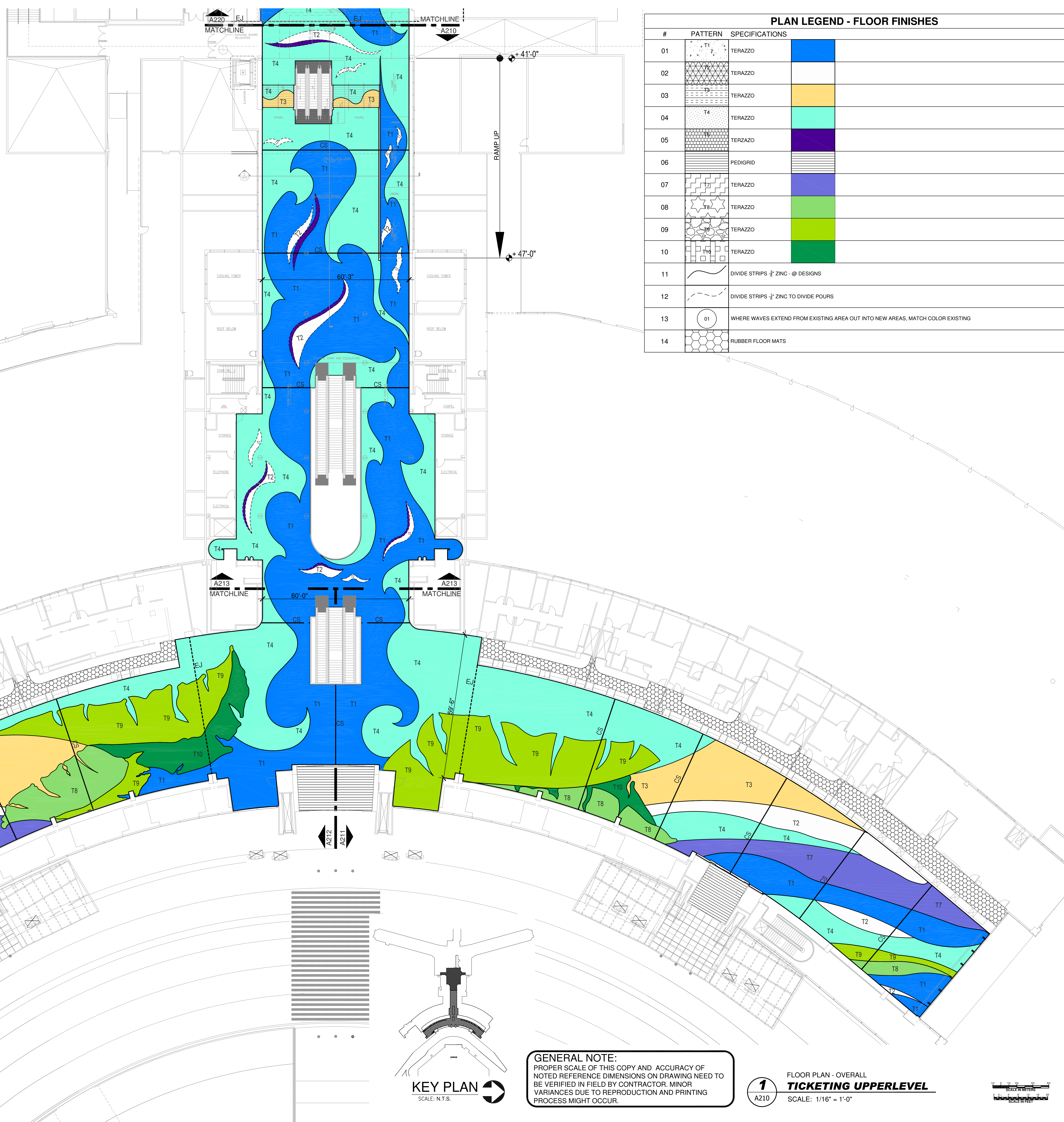
AEP PROJECT NUMBER  
 201-9475-000

© 2009 REYNOLDS, SMITH AND HILLS INC.

SHEET TITLE  
**SECOND FLOOR**  
**PLAN**  
**TICKETING**  
**UPPER LEVEL**  
**FLOOR FINISHES**

SHEET NUMBER  
**A200**  
 LEVEL-2-REV-COLOR.DWG

SCHEMATIC  
 DESIGN



| PLAN LEGEND - FLOOR FINISHES |         |  |  |
|------------------------------|---------|--|--|
| #                            | PATTERN | SPECIFICATIONS   |  |
| 01                           |         | TERAZZO  |  |
| 02                           |         | TERAZZO  |  |
| 03                           |         | TERAZZO  |  |
| 04                           |         | TERAZZO  |  |
| 05                           |         | TERAZZO  |  |
| 06                           |         | PEDIGRID   |  |
| 07                           |         | TERAZZO  |  |
| 08                           |         | TERAZZO  |  |
| 09                           |         | TERAZZO  |  |
| 10                           |         | TERAZZO  |  |
| 11                           |         | DIVIDE STRIPS 3/4" ZINC @ DESIGNS  |  |
| 12                           |         | DIVIDE STRIPS 3/4" ZINC @ DIVIDE POURS   |  |
| 13                           |         | WHERE WAVES EXTEND FROM EXISTING AREA OUT INTO NEW AREAS, MATCH COLOR EXISTING |  |
| 14                           |         | RUBBER FLOOR MATS  |  |

**RS&H TEAM**  
 Jacksonville, Florida 32256  
 904-256-2500 FAX 904-256-2501  
 FL.Cad.No. AAC011886-ED000520 LCC000210

Reynolds, Smith and Hills, Inc.  
 KBJ Architects, Inc.  
 RINK DESIGN PARTNERSHIP INC.  
 RENAISSANCE DESIGN BUILD GROUP



**JACKSONVILLE INTERNATIONAL AIRPORT TERMINAL EXPANSION**

**STAGE 3 1/2 CONNECTOR BRIDGE LEVELIZATION PROJECT**



Reynolds, Smith and Hills, Inc.  
 Jacksonville, Florida 32256  
 904-256-2500 FAX 904-256-2501  
 www.rsandh.com  
 FL.Cad.No. AAC011886-ED000520 LCC000210

**KTD Inc.**  
 Kelly Taffe Design  
 Lic# ID 0002289  
 FL# 13 0001146  
 Kelly@kellytaffedesign.com  
 Tel.: 813.695.5049  
 Fax: 813.805.2371

| REVISIONS |             |      |
|-----------|-------------|------|
| NO.       | DESCRIPTION | DATE |
|           |             |      |
|           |             |      |
|           |             |      |
|           |             |      |
|           |             |      |
|           |             |      |
|           |             |      |
|           |             |      |
|           |             |      |
|           |             |      |

DATE ISSUED: SEPTEMBER 2009  
 REVIEWED BY: PHH  
 DRAWN BY: DJ  
 DESIGNED BY: AC

AEP PROJECT NUMBER  
 201-9475-000  
 © 2009 REYNOLDS, SMITH AND HILLS INC.

SHEET TITLE  
**SECOND FLOOR PLAN TICKETING UPPER LEVEL FLOOR FINISHES**

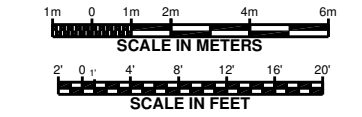
SHEET NUMBER  
**A210**  
 LEVEL-2-REV-COLOR.DWG

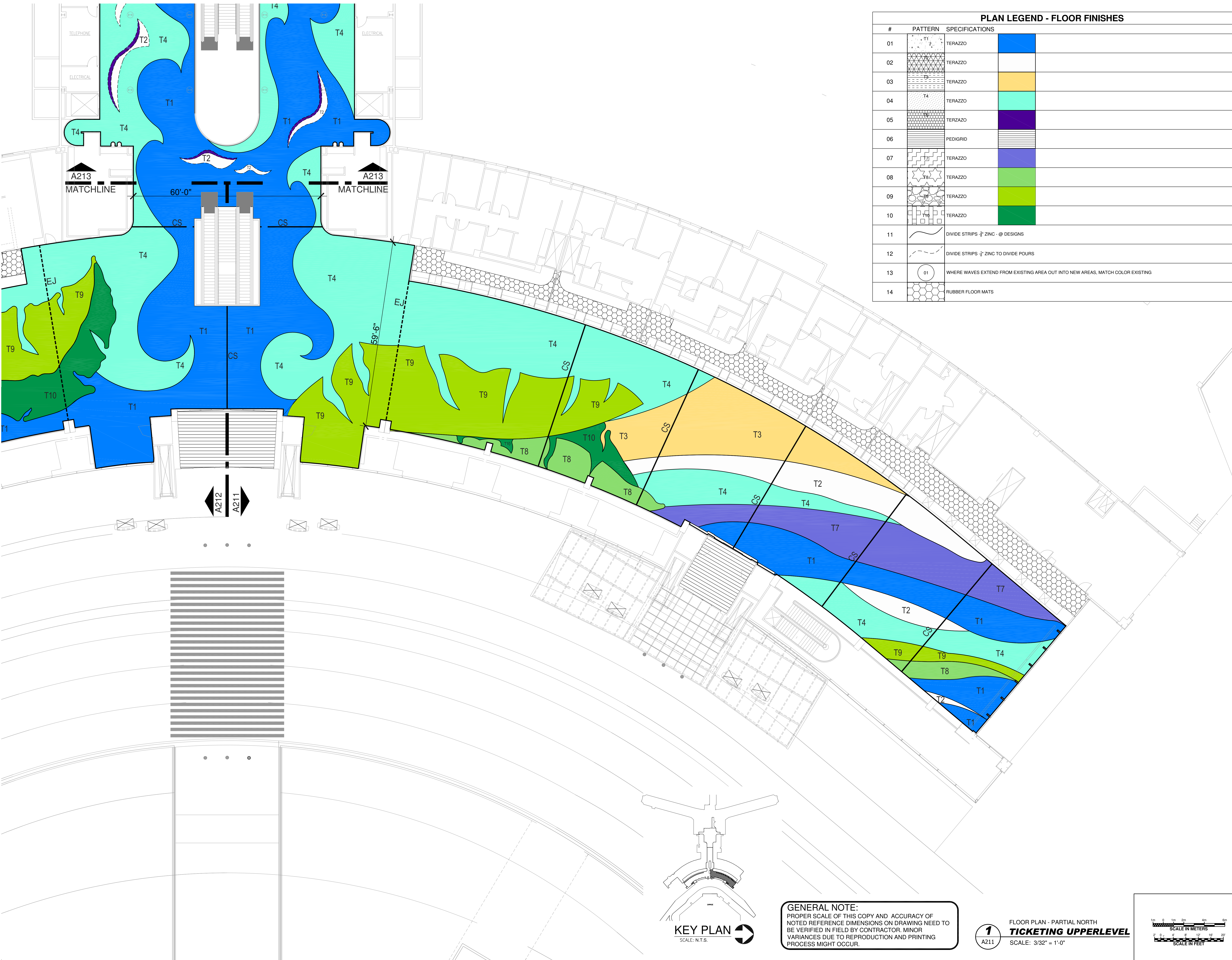
SCHMATIC DESIGN

**GENERAL NOTE:**  
 PROPER SCALE OF THIS COPY AND ACCURACY OF NOTED REFERENCE DIMENSIONS ON DRAWING NEED TO BE VERIFIED IN FIELD BY CONTRACTOR. MINOR VARIANCES DUE TO REPRODUCTION AND PRINTING PROCESS MIGHT OCCUR.

**KEY PLAN**  
 SCALE: N.T.S.

**1**  
 A210 FLOOR PLAN - OVERALL  
**TICKETING UPPERLEVEL**  
 SCALE: 1/16" = 1'-0"





| PLAN LEGEND - FLOOR FINISHES |         |  |  |
|------------------------------|---------|--|--|
| #                            | PATTERN | SPECIFICATIONS   |  |
| 01                           |         | TERAZZO  |  |
| 02                           |         | TERAZZO  |  |
| 03                           |         | TERAZZO  |  |
| 04                           |         | TERAZZO  |  |
| 05                           |         | TERAZZO  |  |
| 06                           |         | PEDIGRID   |  |
| 07                           |         | TERAZZO  |  |
| 08                           |         | TERAZZO  |  |
| 09                           |         | TERAZZO  |  |
| 10                           |         | TERAZZO  |  |
| 11                           |         | DIVIDE STRIPS - 3/8" ZINC - @ DESIGNS  |  |
| 12                           |         | DIVIDE STRIPS - 3/8" ZINC TO DIVIDE POURS                                      |  |
| 13                           |         | WHERE WAVES EXTEND FROM EXISTING AREA OUT INTO NEW AREAS, MATCH COLOR EXISTING |  |
| 14                           |         | RUBBER FLOOR MATS  |  |

**RS&H TEAM**  
 Jacksonville, Florida 32256  
 904-256-2500 FAX 904-256-2501  
 FL.Ce4.No. AC201886-EB000620 LCC000210

Reynolds, Smith and Hills, Inc.  
 KBJ Architects, Inc.  
 RINK DESIGN PARTNERSHIP INC.  
 RENAISSANCE DESIGN BUILD GROUP



**JACKSONVILLE INTERNATIONAL AIRPORT TERMINAL EXPANSION**

**STAGE 3 1/2 CONNECTOR BRIDGE LEVELIZATION PROJECT**

**RS&H**  
 Architectural, Engineering, Planning and Environmental Services

Reynolds, Smith and Hills, Inc.  
 1745 DeWood Park Boulevard South  
 Jacksonville, Florida 32256  
 904-256-2500 FAX 904-256-2501  
 www.rsandh.com  
 FL.Ce4.No. AC201886-EB000620 LCC000210

**KTD Inc. Design**  
 KELLY TAFFE DESIGN  
 Lic# ID 0002289  
 FL# 13 0001146  
 KellyT@kellytaffedesign.com  
 Tel.: 813.695.5049  
 Fax: 813.805.2371

| REVISIONS |             |      |
|-----------|-------------|------|
| NO.       | DESCRIPTION | DATE |
|           |             |      |
|           |             |      |
|           |             |      |
|           |             |      |
|           |             |      |
|           |             |      |
|           |             |      |
|           |             |      |
|           |             |      |
|           |             |      |

DATE ISSUED: SEPTEMBER 2009  
 REVIEWED BY: PHH  
 DRAWN BY: DJ  
 DESIGNED BY: AC

AEP PROJECT NUMBER  
 201-9475-000  
 © 2009 REYNOLDS, SMITH AND HILLS INC.

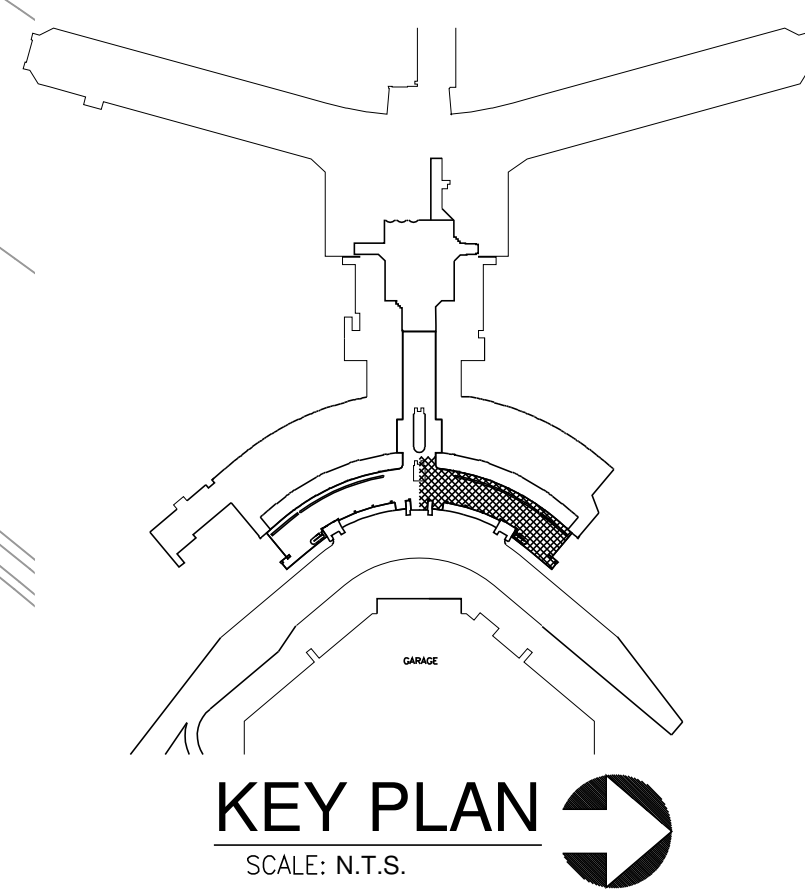
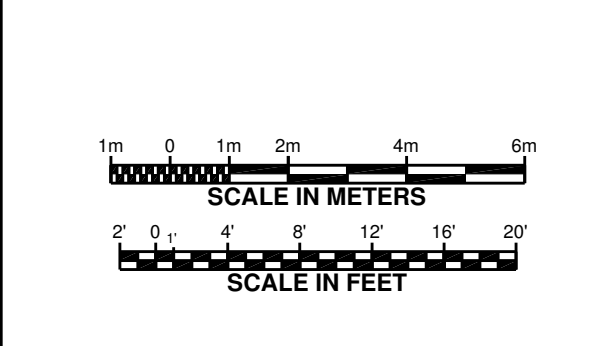
SHEET TITLE  
**SECOND FLOOR PLAN TICKETING UPPER LEVEL FLOOR FINISHES**

SHEET NUMBER  
**AI211**  
 LEVEL-2-REV-COLOR.DWG

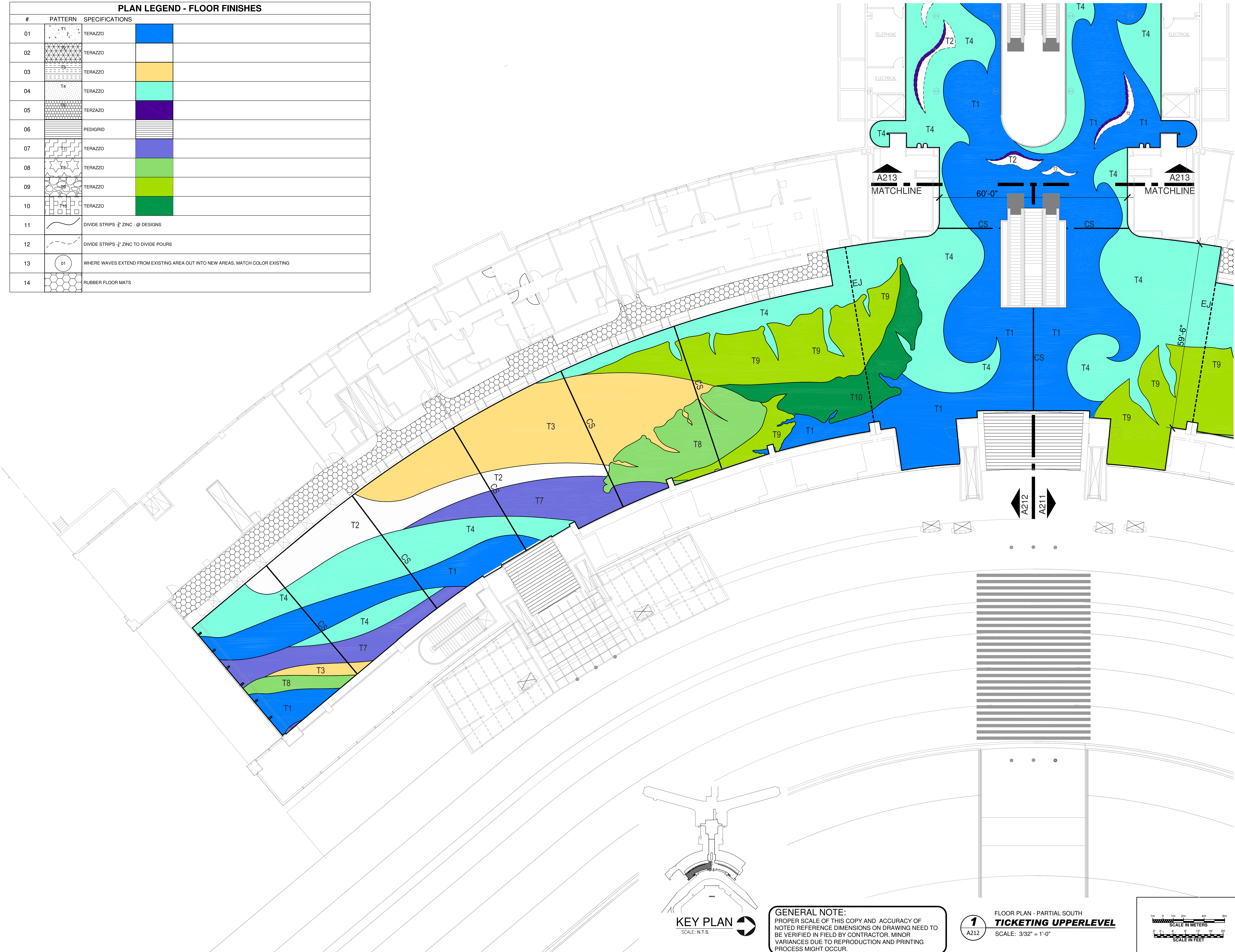
SHEETS DESIGN

**GENERAL NOTE:**  
 PROPER SCALE OF THIS COPY AND ACCURACY OF NOTED REFERENCE DIMENSIONS ON DRAWING NEED TO BE VERIFIED IN FIELD BY CONTRACTOR. MINOR VARIANCES DUE TO REPRODUCTION AND PRINTING PROCESS MIGHT OCCUR.

**1** FLOOR PLAN - PARTIAL NORTH  
**A211** TICKETING UPPERLEVEL  
 SCALE: 3/32" = 1'-0"

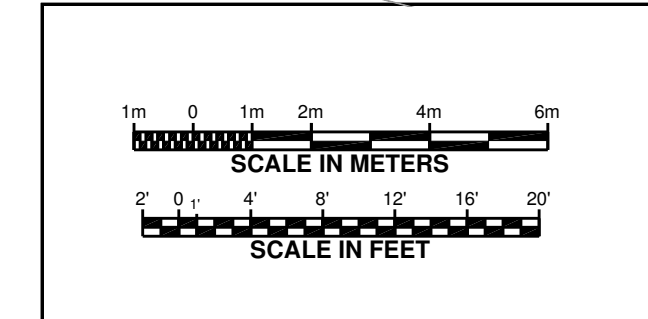


| PLAN LEGEND - FLOOR FINISHES |         |  |  |
|------------------------------|---------|--|--|
| #                            | PATTERN | SPECIFICATIONS   |  |
| 01                           |         | TERAZZO  |  |
| 02                           |         | TERAZZO  |  |
| 03                           |         | TERAZZO  |  |
| 04                           |         | TERAZZO  |  |
| 05                           |         | TERAZZO  |  |
| 06                           |         | PEDIGRAD   |  |
| 07                           |         | TERAZZO  |  |
| 08                           |         | TERAZZO  |  |
| 09                           |         | TERAZZO  |  |
| 10                           |         | TERAZZO  |  |
| 11                           |         | DIVIDE STRIPS - 3/8" ZINC - @ DESIGNS  |  |
| 12                           |         | DIVIDE STRIPS - 1/2" ZINC TO DIVIDE POURS                                      |  |
| 13                           |         | WHERE WAVES EXTEND FROM EXISTING AREA OUT INTO NEW AREAS, MATCH COLOR EXISTING |  |
| 14                           |         | RUBBER FLOOR MATS  |  |



**GENERAL NOTE:**  
 PROPER SCALE OF THIS COPY AND ACCURACY OF NOTED REFERENCE DIMENSIONS ON DRAWING NEED TO BE VERIFIED IN FIELD BY CONTRACTOR. MINOR VARIANCES DUE TO REPRODUCTION AND PRINTING PROCESS MIGHT OCCUR.

**1** FLOOR PLAN - PARTIAL SOUTH  
**A212** TICKETING UPPERLEVEL  
 SCALE: 3/32" = 1'-0"



**RS&H TEAM**  
 Jacksonville, Florida 32256  
 904-256-2500 FAX 904-256-2501  
 FL.Cad.No. AAC001886 EB0005020 LCC00020

Reynolds, Smith and Hills, Inc.  
 KBJ Architects, Inc.  
 RINK DESIGN PARTNERSHIP INC.  
 RENAISSANCE DESIGN BUILD GROUP

**JACKSONVILLE AVIATION AUTHORITY**

**JACKSONVILLE INTERNATIONAL AIRPORT TERMINAL EXPANSION**

**STAGE 3 1/2 CONNECTOR BRIDGE LEVELIZATION PROJECT**

**RS&H**  
 Architectural, Engineering, Planning and Environmental Services

Reynolds, Smith and Hills, Inc.  
 1740 DeWood Boulevard South  
 Jacksonville, Florida 32256  
 904-256-2500 FAX 904-256-2501  
 www.rsandh.com  
 FL.Cad.No. AAC001886 EB0005020 LCC000210

**KTD Inc. Design**  
 KELLY TAAFFE DESIGN  
 Lic# ID 0002289  
 FL# 13 0001146  
 Kelly@kellytaaffedesign.com  
 Tel.: 813.695.5049  
 Fax: 813.805.2371

| REVISIONS |             |      |
|-----------|-------------|------|
| NO.       | DESCRIPTION | DATE |
|           |             |      |
|           |             |      |
|           |             |      |
|           |             |      |
|           |             |      |
|           |             |      |
|           |             |      |
|           |             |      |
|           |             |      |
|           |             |      |

DATE ISSUED: SEPTEMBER 2009  
 REVIEWED BY: PHH  
 DRAWN BY: DJ  
 DESIGNED BY: AC

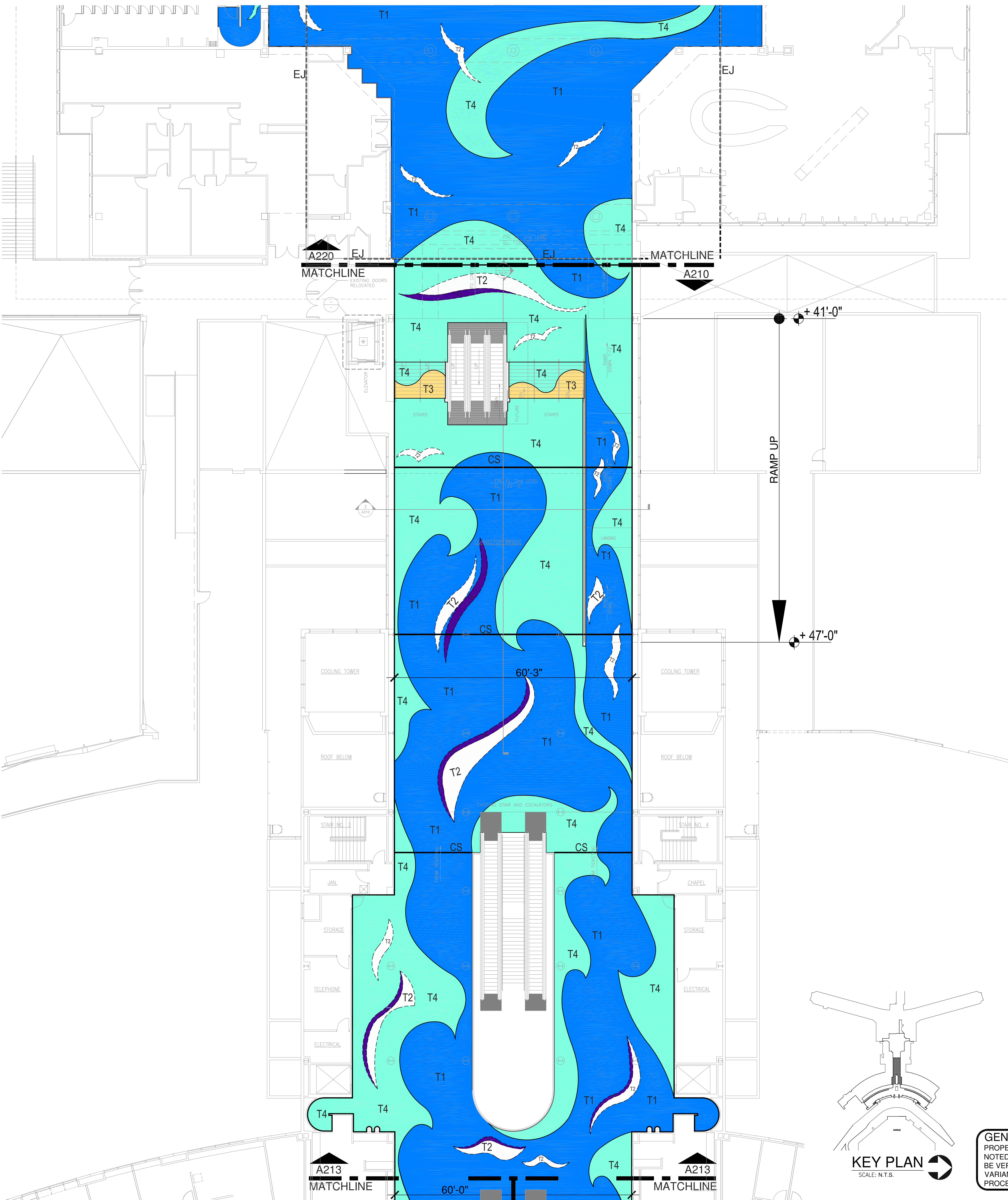
AEP PROJECT NUMBER  
 201-9475-000

© 2009 REYNOLDS, SMITH AND HILLS INC.

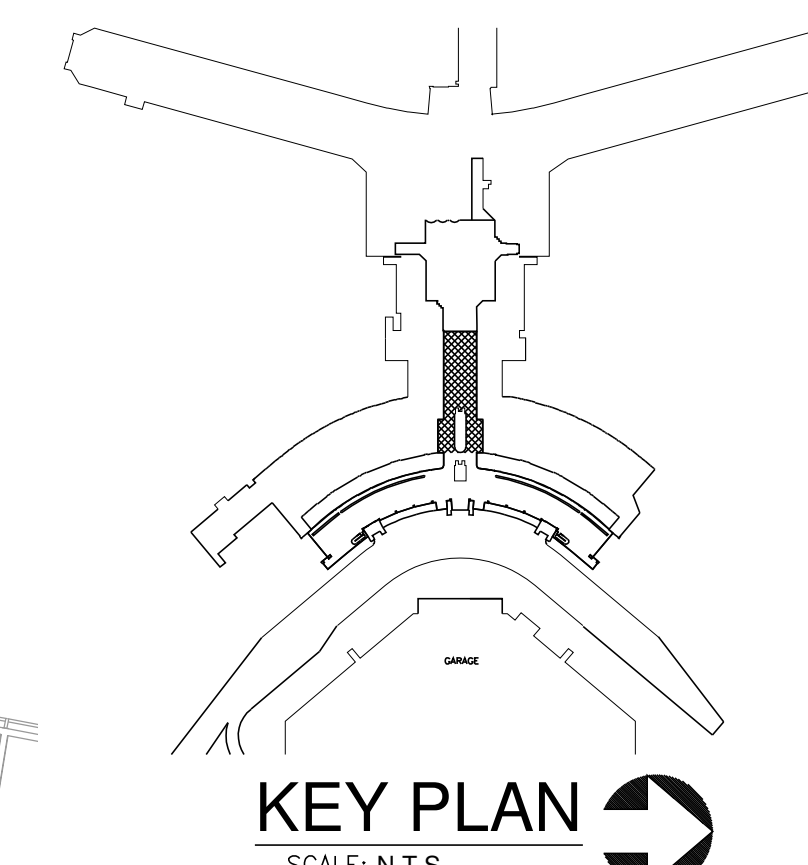
SHEET TITLE  
**SECOND FLOOR PLAN TICKETING UPPER LEVEL FLOOR FINISHES**

SHEET NUMBER  
**A212**  
 LEVEL-2-REV-COLOR.DWG

SHEEMATIC DESIGN

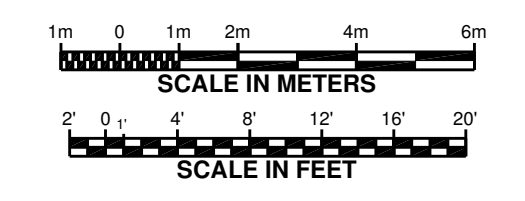


| PLAN LEGEND - FLOOR FINISHES |         |  |                       |
|------------------------------|---------|--|-----------------------|
| #                            | PATTERN | SPECIFICATIONS   |                       |
| 01                           | T1      | TERAZZO  | [Blue swatch]         |
| 02                           | T2      | TERAZZO  | [White swatch]        |
| 03                           | T3      | TERAZZO  | [Yellow swatch]       |
| 04                           | T4      | TERAZZO  | [Cyan swatch]         |
| 05                           |         | TERAZZO  | [Purple swatch]       |
| 06                           |         | PEDIGRID   | [Striped swatch]      |
| 07                           |         | TERAZZO  | [Light Blue swatch]   |
| 08                           |         | TERAZZO  | [Light Green swatch]  |
| 09                           |         | TERAZZO  | [Light Yellow swatch] |
| 10                           |         | TERAZZO  | [Green swatch]        |
| 11                           |         | DIVIDE STRIPS 1/2" ZINC - @ DESIGNS  |                       |
| 12                           |         | DIVIDE STRIPS 1/2" ZINC TO DIVIDE POURS  |                       |
| 13                           | 01      | WHERE WAVES EXTEND FROM EXISTING AREA OUT INTO NEW AREAS, MATCH COLOR EXISTING |                       |
| 14                           |         | RUBBER FLOOR MATS  |                       |



**GENERAL NOTE:**  
PROPER SCALE OF THIS COPY AND ACCURACY OF NOTED REFERENCE DIMENSIONS ON DRAWING NEED TO BE VERIFIED IN FIELD BY CONTRACTOR. MINOR VARIANCES DUE TO REPRODUCTION AND PRINTING PROCESS MIGHT OCCUR.

**1**  
A213  
FLOOR PLAN - PARTIAL WEST  
**TICKETING UPPER LEVEL**  
SCALE: 3/32" = 1'-0"



**RS&H**  
**TEAM**  
Jacksonville, Florida 32256  
904-256-2500 FAX 904-256-2501  
FL.Cad.No. AAC201886-EB000520 LCC000210

Reynolds, Smith and Hills, Inc.  
KBJ Architects, Inc.  
RINK DESIGN PARTNERSHIP INC.  
RENAISSANCE DESIGN BUILD GROUP

**JACKSONVILLE**  
AVIATION AUTHORITY

JACKSONVILLE  
INTERNATIONAL  
AIRPORT  
TERMINAL  
EXPANSION

STAGE 3 1/2  
CONNECTOR BRIDGE  
LEVELIZATION PROJECT

**RS&H**  
Architectural, Engineering, Planning  
and Environmental Services

Reynolds, Smith and Hills, Inc.  
1765 Deerewood Park Boulevard South  
Jacksonville, Florida 32256  
904-256-2500 FAX 904-256-2501  
www.rsandh.com  
FL.Cad.No. AAC201886-EB000520 LCC000210

**KTD Inc.**  
Design

KELLY TAAFFE DESIGN  
Lic# ID 0002289  
FL# 13 0001146  
kellyt@kellytaffedesign.com  
Tel.: 813.695.5049  
Fax: 813.805.2371

REVISIONS

| NO. | DESCRIPTION | DATE |
|-----|-------------|------|
|     |             |      |
|     |             |      |
|     |             |      |
|     |             |      |
|     |             |      |
|     |             |      |
|     |             |      |
|     |             |      |
|     |             |      |
|     |             |      |

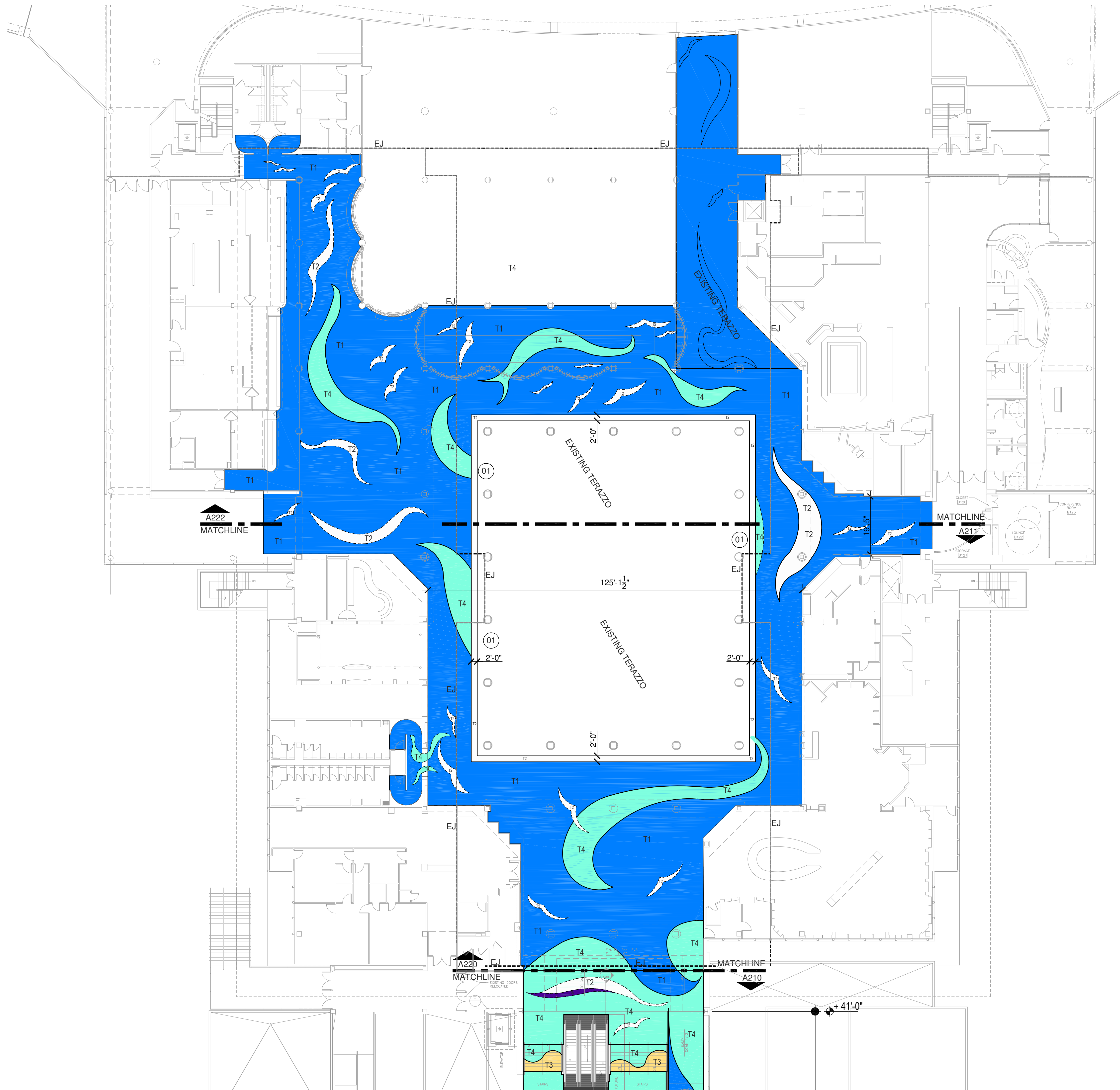
DATE ISSUED: SEPTEMBER 2009  
REVIEWED BY: PHH  
DRAWN BY: DJ  
DESIGNED BY: AC

AEP PROJECT NUMBER  
201-9475-000  
© 2009 REYNOLDS, SMITH AND HILLS INC.

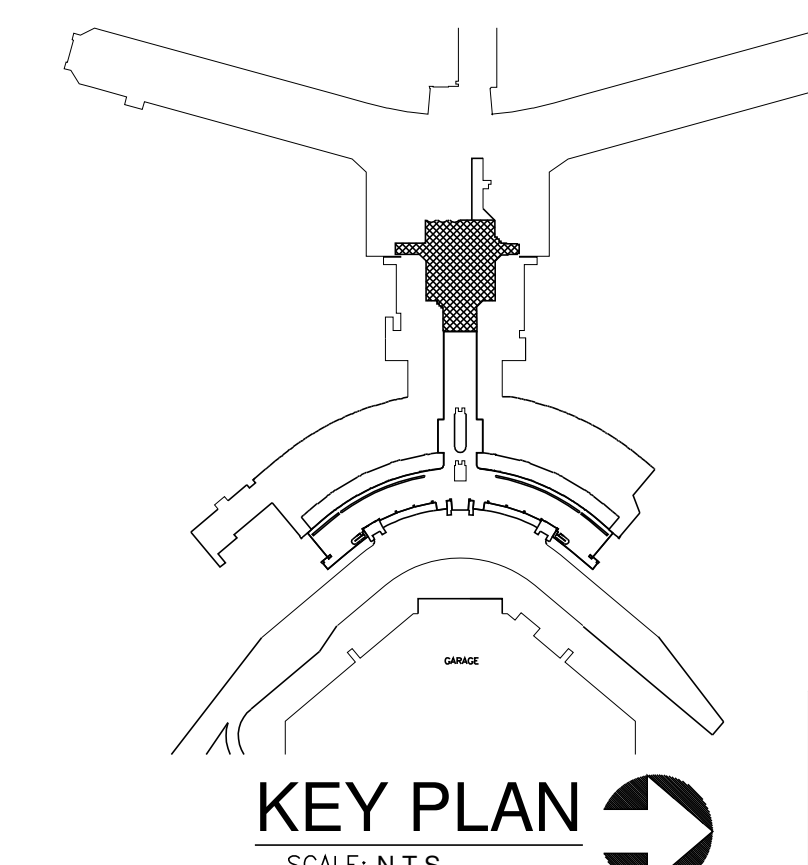
SHEET TITLE  
**SECOND FLOOR  
PLAN  
TICKETING  
UPPER LEVEL  
FLOOR FINISHES**

SHEET NUMBER  
**A213**  
LEVEL-2-REV-COLOR.DWG

SHEETS  
**SCHEMATIC  
DESIGN**

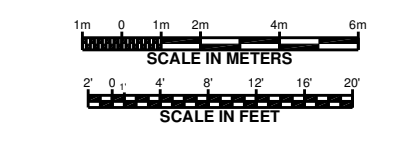


| PLAN LEGEND - FLOOR FINISHES |         |  |                       |
|------------------------------|---------|--|-----------------------|
| #                            | PATTERN | SPECIFICATIONS   |                       |
| 01                           | T1      | TERAZZO  | Blue                  |
| 02                           | T2      | TERAZZO  | Yellow                |
| 03                           | T3      | TERAZZO  | Green                 |
| 04                           | T4      | TERAZZO  | Light Green           |
| 05                           |         | TERAZZO  | Purple                |
| 06                           |         | PEDIGRID   | White with grey lines |
| 07                           |         | TERAZZO  | Light Blue            |
| 08                           |         | TERAZZO  | Light Green           |
| 09                           |         | TERAZZO  | Yellow-Green          |
| 10                           |         | TERAZZO  | Dark Green            |
| 11                           |         | DIVIDE STRIPS 1/2" ZINC @ DESIGNS  |                       |
| 12                           |         | DIVIDE STRIPS 1/2" ZINC TO DIVIDE POURS  |                       |
| 13                           | 01      | WHERE WAVES EXTEND FROM EXISTING AREA OUT INTO NEW AREAS, MATCH COLOR EXISTING |                       |
| 14                           |         | RUBBER FLOOR MATS  |                       |



**GENERAL NOTE:**  
 PROPER SCALE OF THIS COPY AND ACCURACY OF NOTED REFERENCE DIMENSIONS ON DRAWING NEED TO BE VERIFIED IN FIELD BY CONTRACTOR. MINOR VARIANCES DUE TO REPRODUCTION AND PRINTING PROCESS MIGHT OCCUR.

**1** FLOOR PLAN - OVERALL  
**A220** **UPPER LEVEL CONCOURSE**  
 SCALE: 1/16" = 1'-0"



Reynolds, Smith and Hills, Inc.  
 KBJ Architects, Inc.  
 RINK DESIGN PARTNERSHIP INC.  
 RENAISSANCE DESIGN BUILD GROUP



JACKSONVILLE INTERNATIONAL AIRPORT TERMINAL EXPANSION

STAGE 3 1/2 CONNECTOR BRIDGE LEVELIZATION PROJECT



Reynolds, Smith and Hills, Inc.  
 1716 Dunwood Park Boulevard South  
 Jacksonville, Florida 32256  
 904-256-2500 FAX 904-256-2501  
 www.rsandh.com  
 FLOr.No. AC201186-EB006620-LCC00210

**KTD Inc.**  
*Design*  
 KELLY TAAFFE DESIGN  
 Lic# ID 0002289  
 FL# 13 0001146  
 Kelly@kellytaaffedesign.com  
 Tel.: 813.695.5049  
 Fax: 813.805.2371

| REVISIONS |             |      |
|-----------|-------------|------|
| NO.       | DESCRIPTION | DATE |
|           |             |      |
|           |             |      |
|           |             |      |
|           |             |      |
|           |             |      |
|           |             |      |
|           |             |      |
|           |             |      |
|           |             |      |
|           |             |      |

DATE ISSUED: SEPTEMBER 2009  
 REVIEWED BY: PHH  
 DRAWN BY: DJ  
 DESIGNED BY: AC  
 AEP PROJECT NUMBER  
 201-9475-000  
 © 2009 REYNOLDS, SMITH AND HILLS INC.  
 SHEET TITLE

SECOND FLOOR PLAN  
 CONCOURSE  
 UPPER LEVEL  
 FLOOR FINISHES

SHEET NUMBER  
**A220**  
 LEVEL-2-REV-COLOR.DWG  
 SCHEMATIC DESIGN