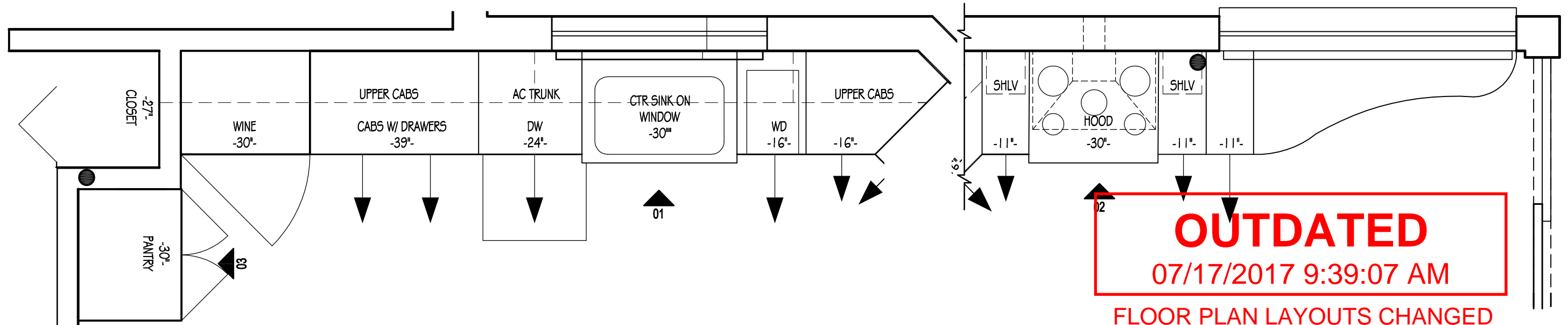
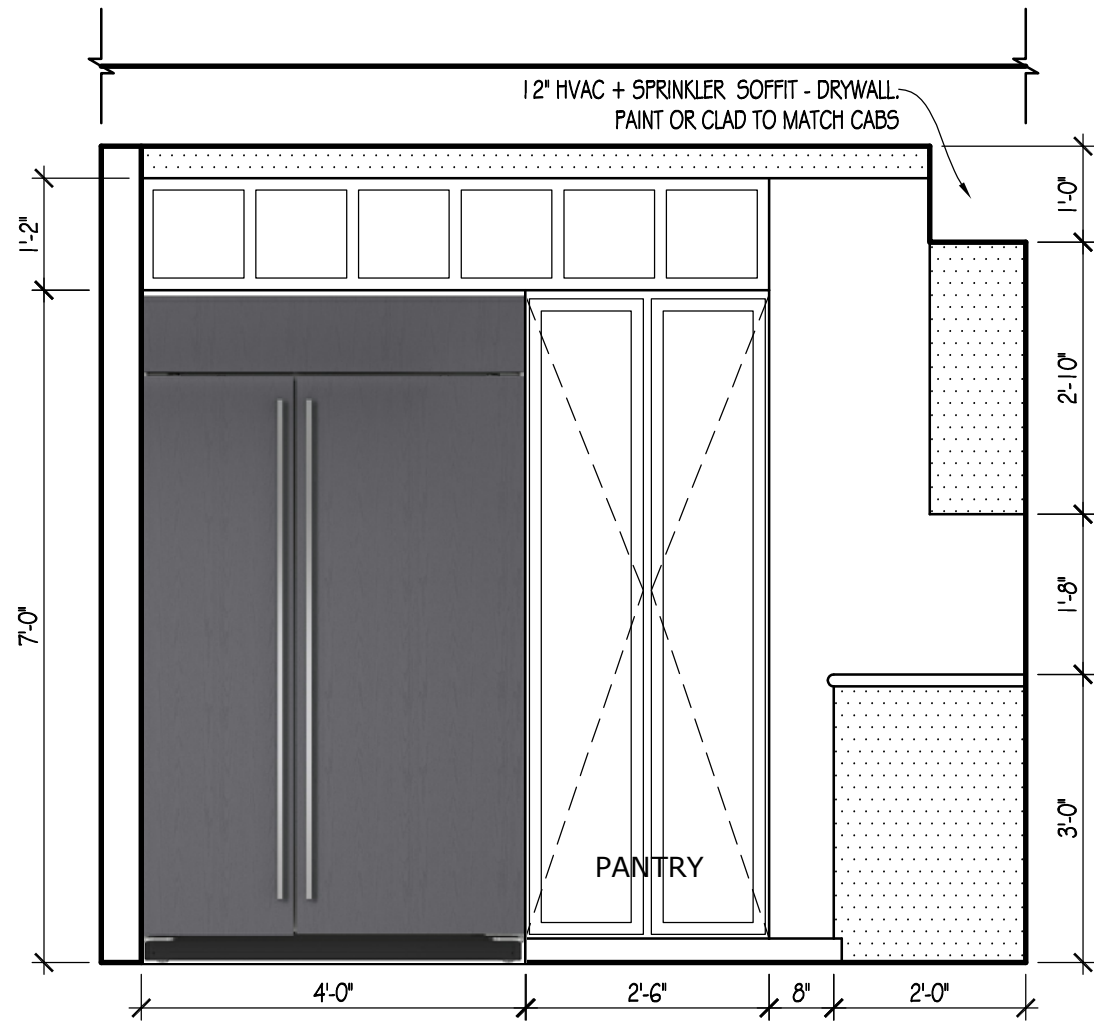


01 KITCHEN ELEVATION
Scale: 1/2" = 1'-0"

02 KITCHEN ELEVATION
Scale: 1/2" = 1'-0"

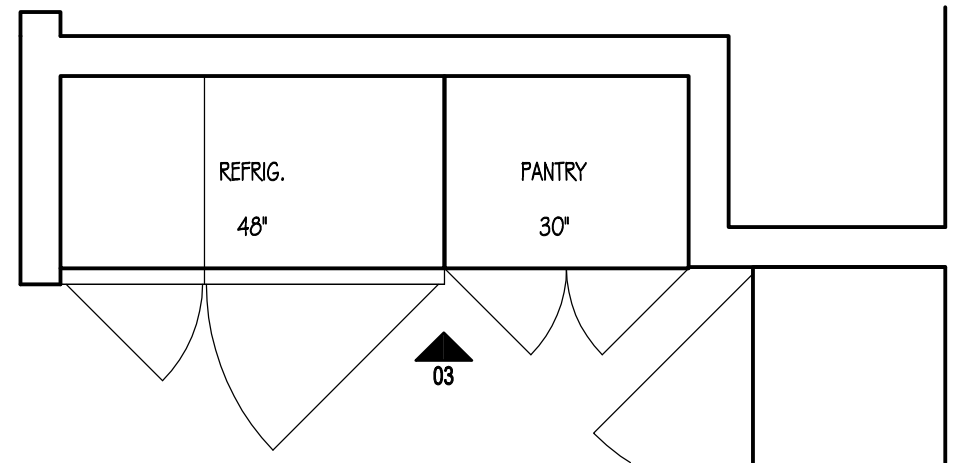


OUTDATED
07/17/2017 9:39:07 AM
FLOOR PLAN LAYOUTS CHANGED

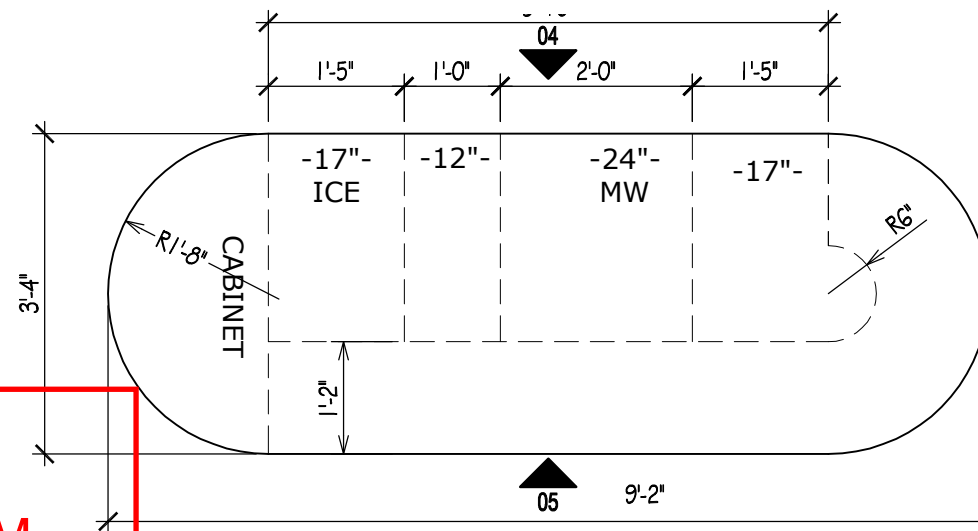


03 KITCHEN ELEVATION
Scale: 1/2" = 1'-0"

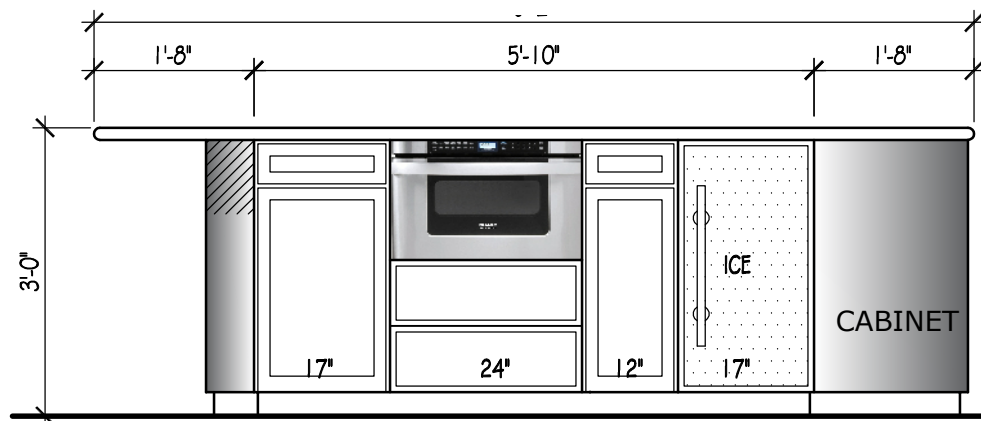
OUTDATED
07/17/2017 9:39:07 AM
FLOOR PLAN LAYOUTS CHANGED



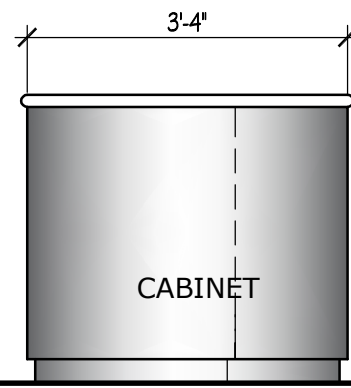
KITCHEN - REFRIGERATION
Scale: 1/2" = 1'-0"



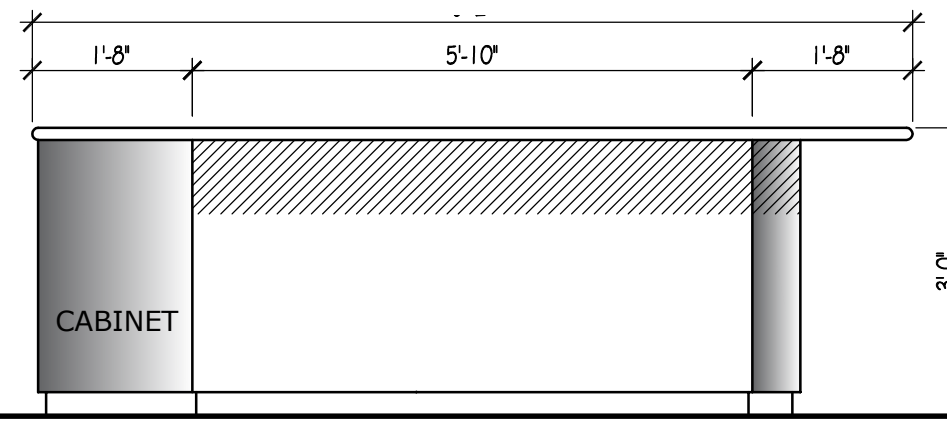
KITCHEN ISLAND TOP VIEW
Scale: 1/2" = 1'-0"



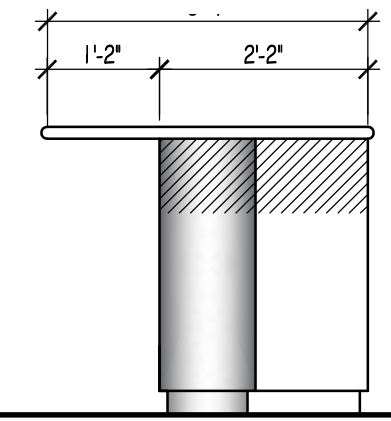
04 ISLAND REAR
Scale: 1/2" = 1'-0"



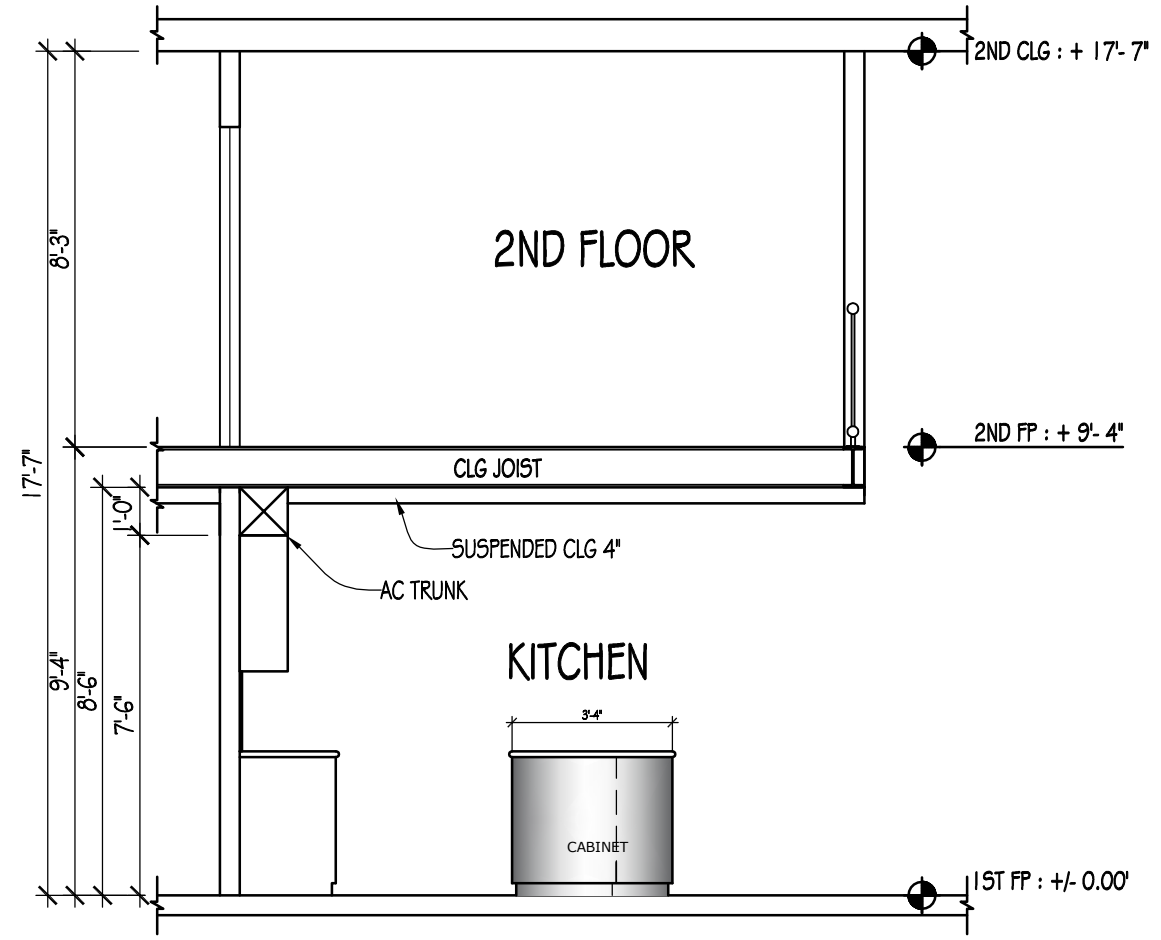
LEFT VIEW
Scale: 1/2" = 1'-0"



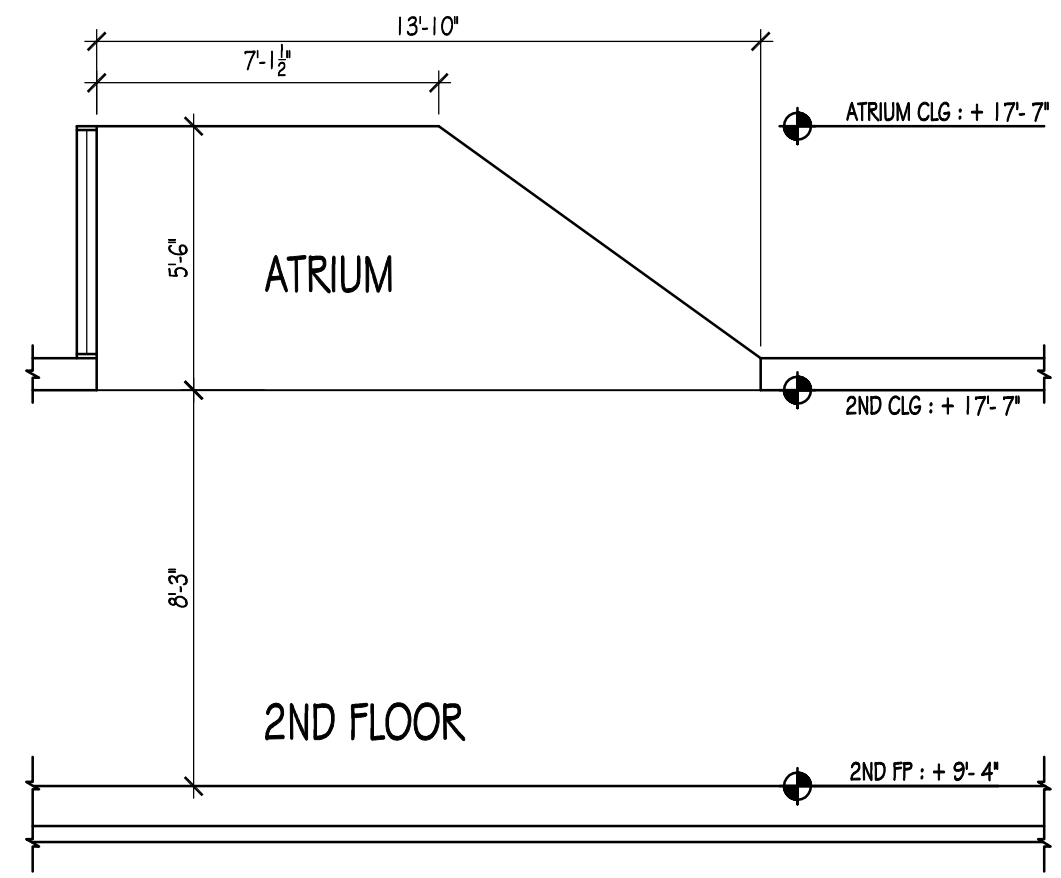
05 ISLAND FRONT
Scale: 1/2" = 1'-0"



RIGHT VIEW
Scale: 1/2" = 1'-0"



1 PARTIAL SECTION
Scale: 1/4" = 1'-0"



2 ATRIUM SECTION
Scale: 1/4" = 1'-0"