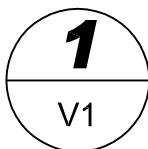
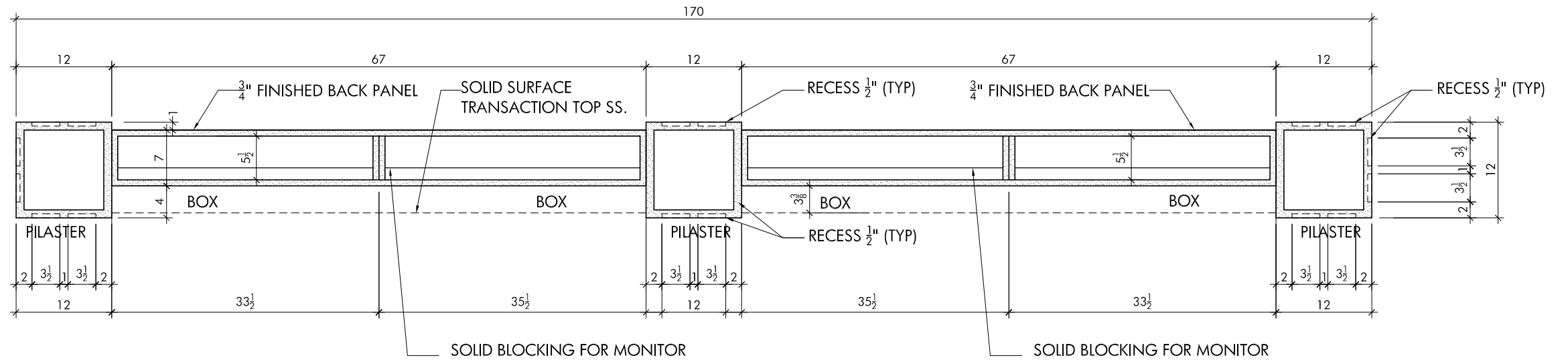


GATES 9-12

**FRONT ELEVATION**

SCALE: 3/4" = 1'-0"





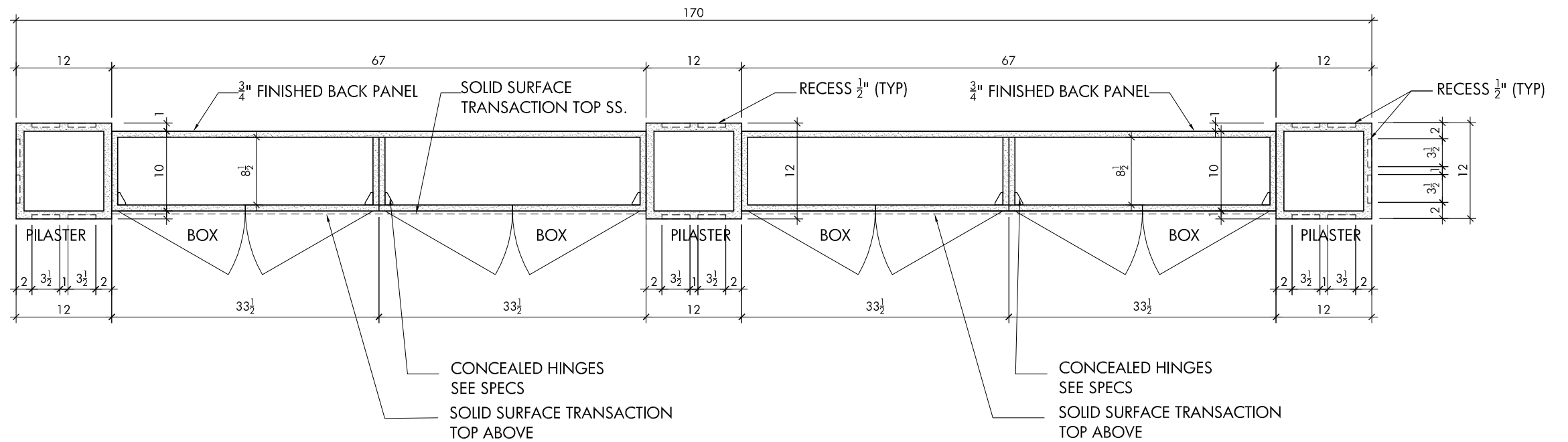
GATES 9-12

**3.2**

**HORIZONTAL SECTION**

V3

SCALE: 3/4" = 1'-0"



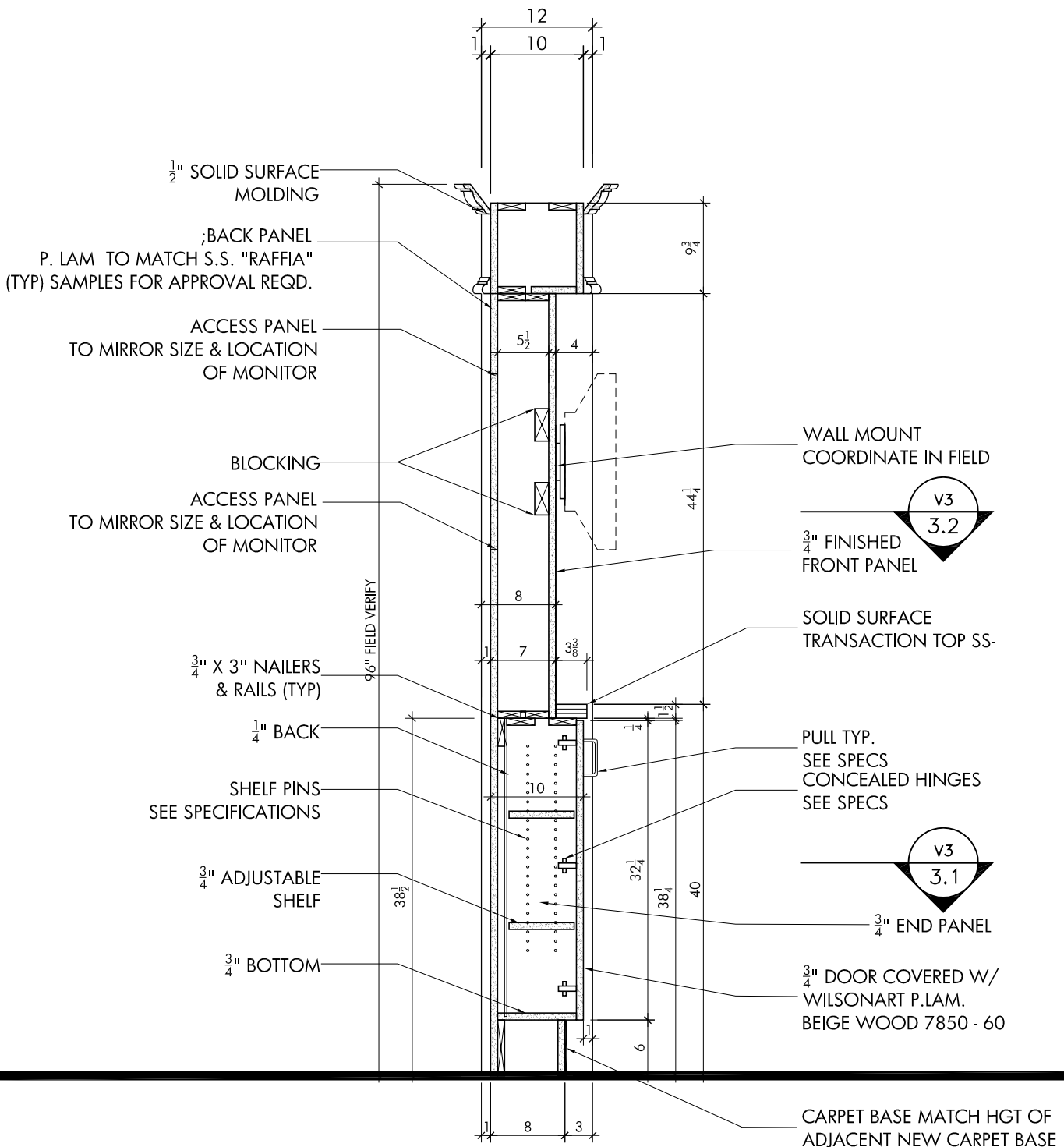
GATES 9-12

**3.1**

**HORIZONTAL SECTION**

V3

SCALE: 3/4" = 1'-0"



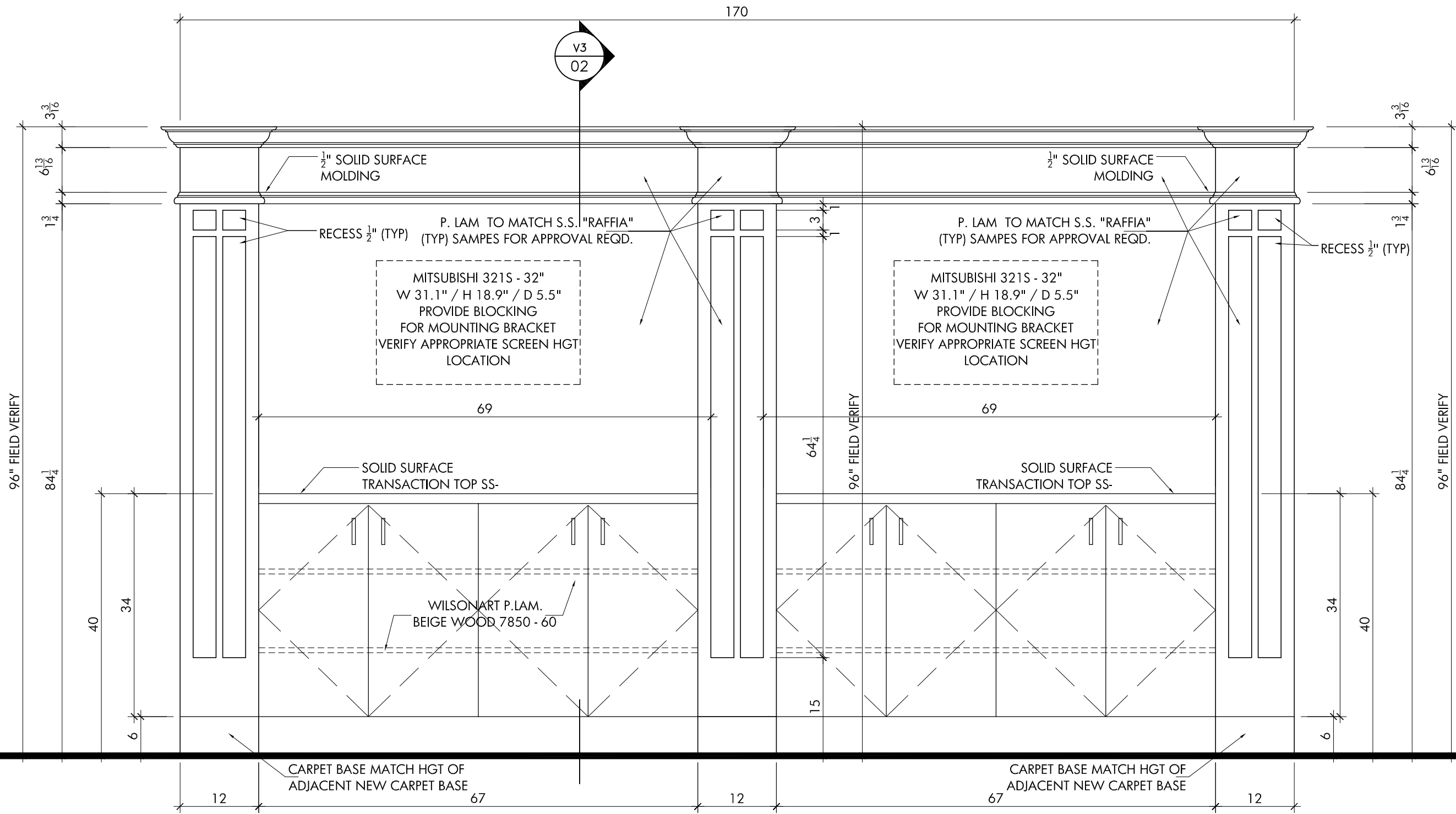
GATES 9-12

**2**

**VERTICAL SECTION**

V3

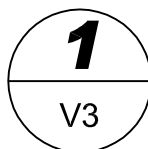
SCALE: 3/4" = 1'-0"

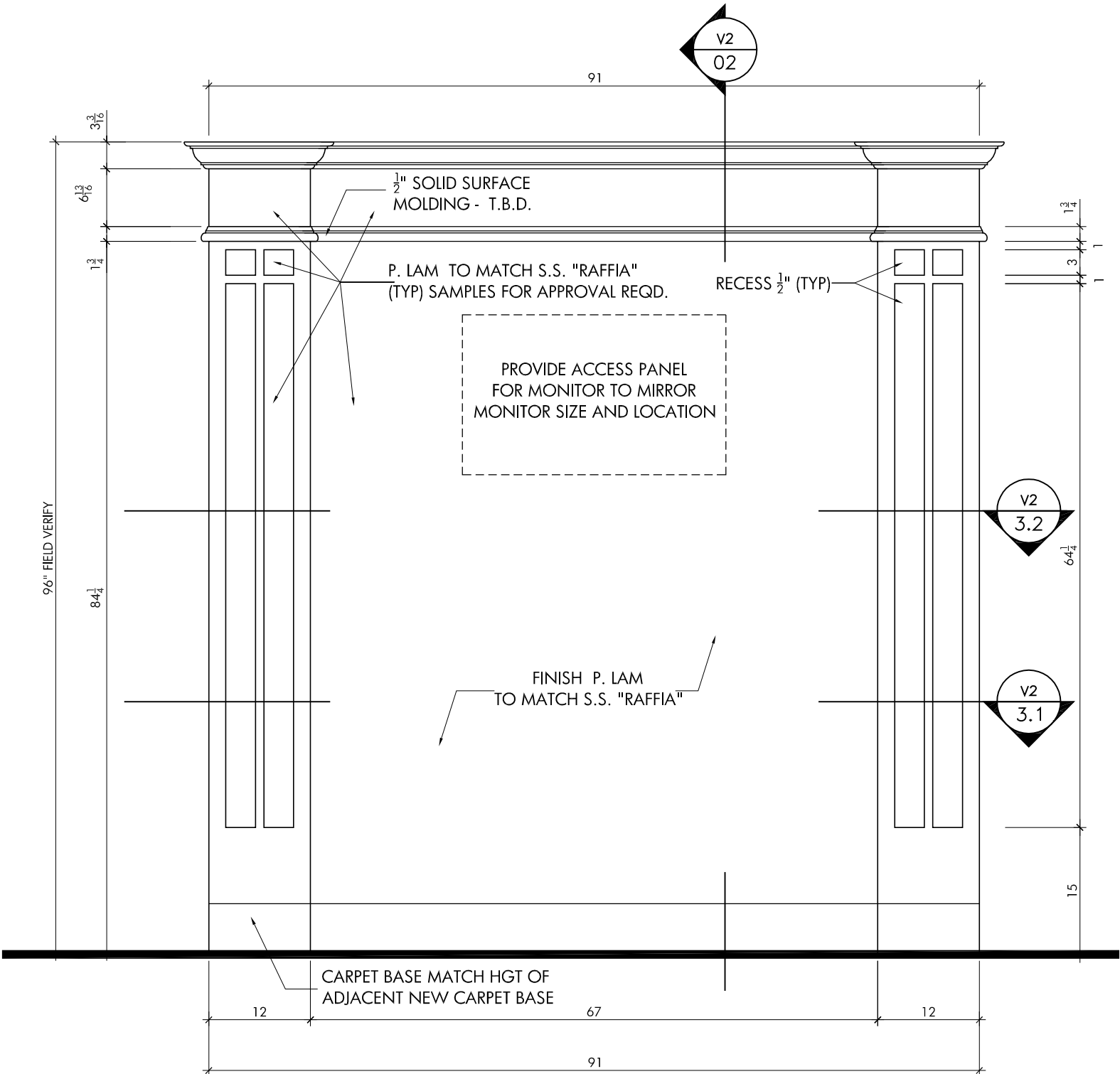


GATES 9-12

**1 FRONT ELEVATION**

SCALE: 3/4" = 1'-0"



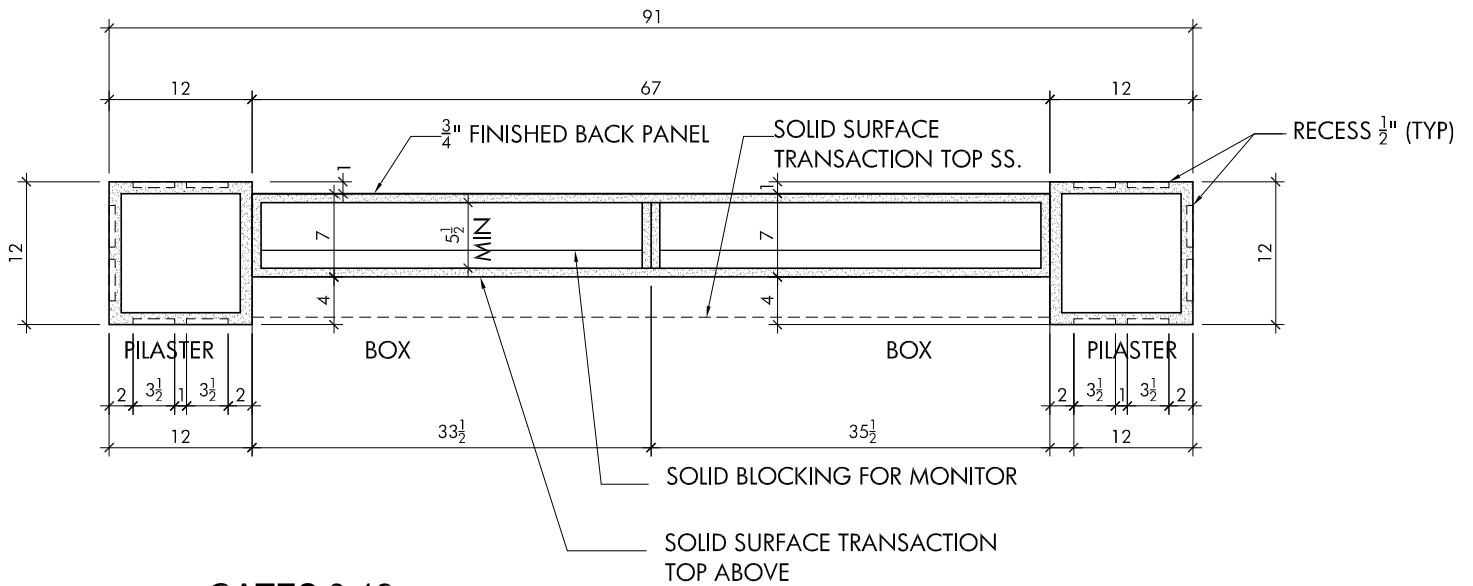


GATES 9-12

**4 REAR ELEVATION**

SCALE: 3/4" = 1'-0"

V2  
4

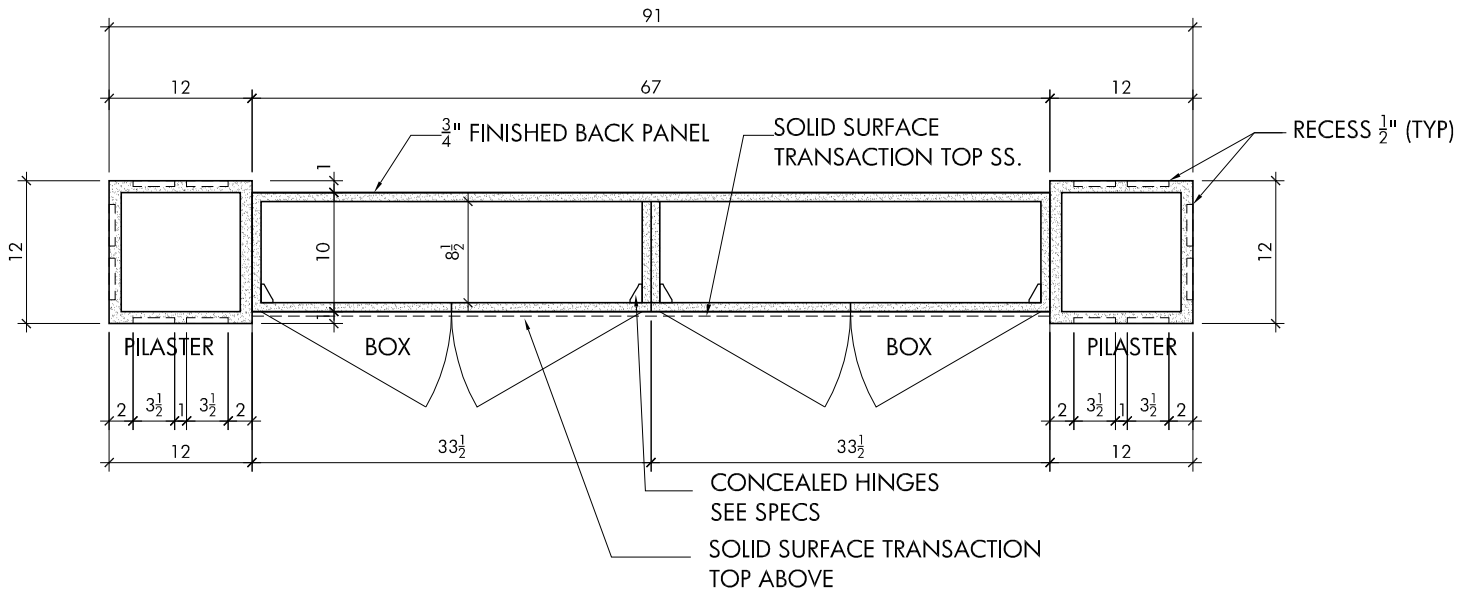


GATES 9-12

**3.2 HORIZONTAL SECTION**

V2

SCALE: 3/4" = 1'-0"

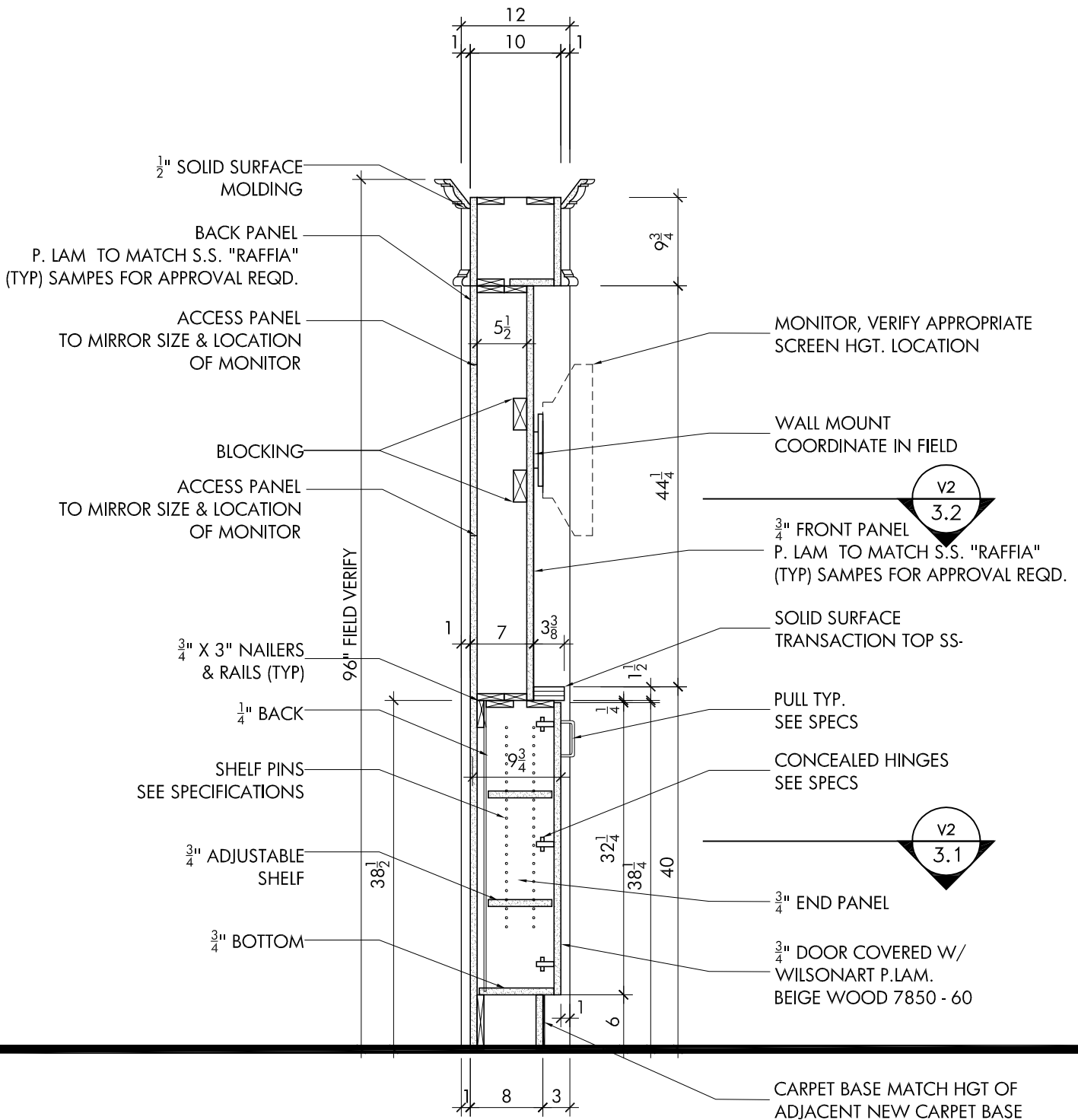


GATES 9-12

**3.1 HORIZONTAL SECTION**

V2

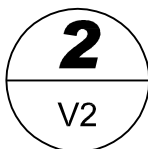
SCALE: 3/4" = 1'-0"

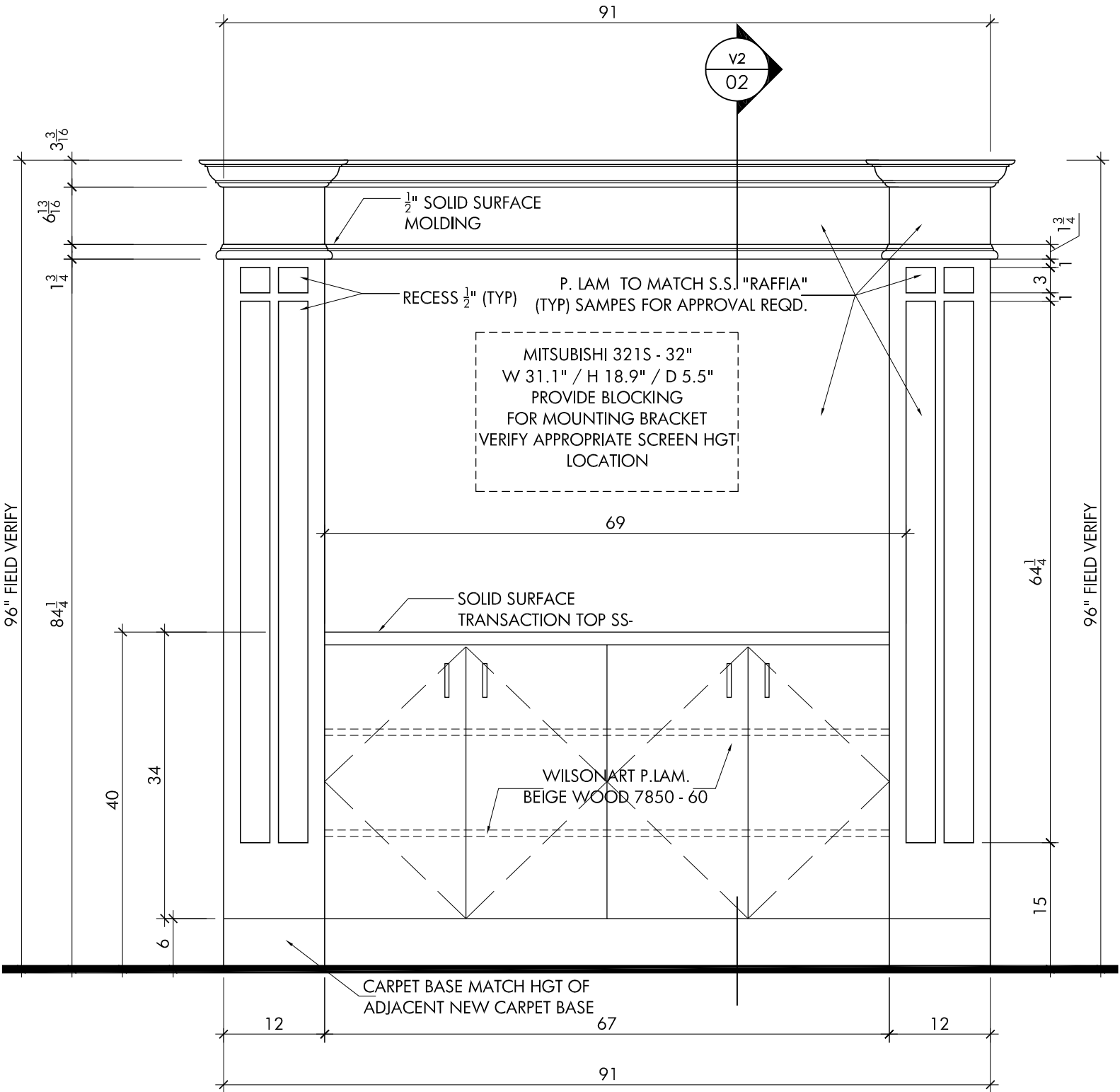


GATES 9-12

## 2 VERTICAL SECTION

SCALE: 3/4" = 1'-0"





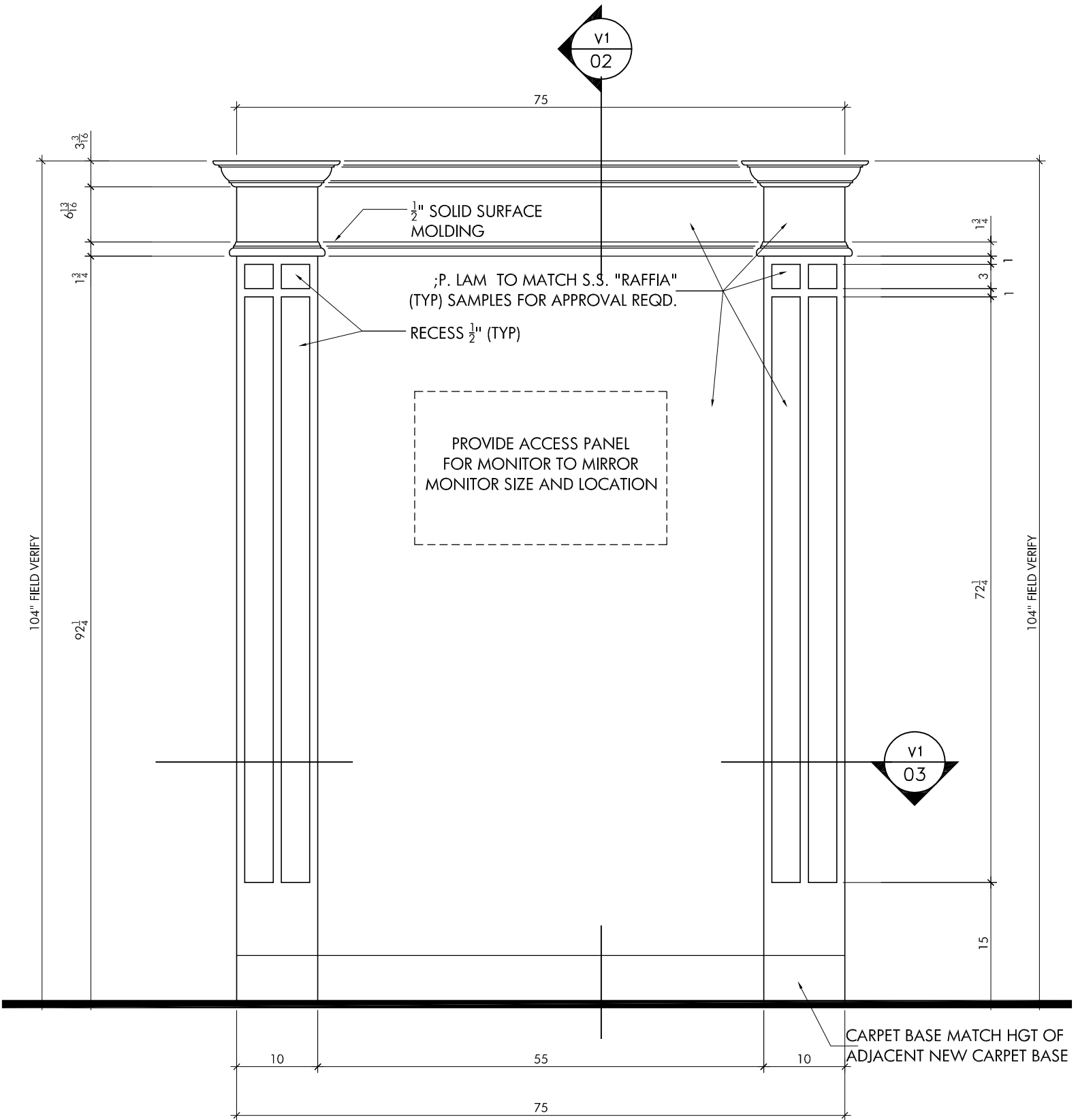
GATES 9-12

# FRONT ELEVATION

SCALE: 3/4" = 1'-0"

**1**  
V2





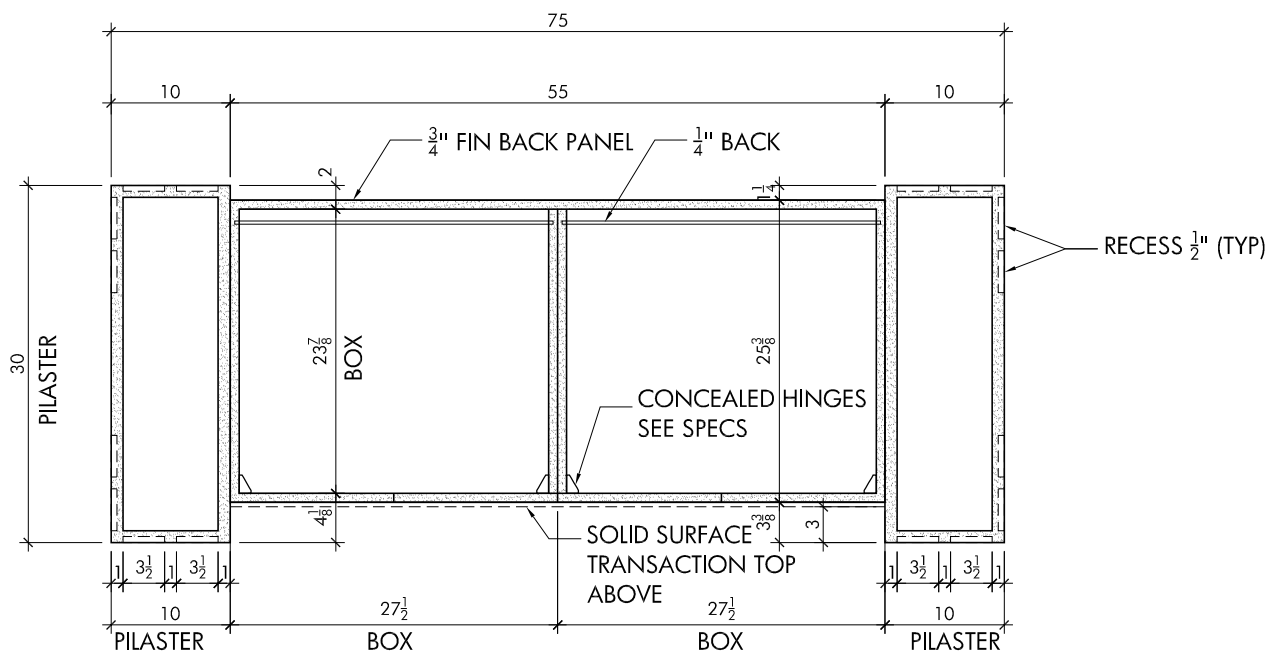
GATES 9-12

**4**

**REAR ELEVATION**

V1

SCALE: 3/4" = 1'-0"



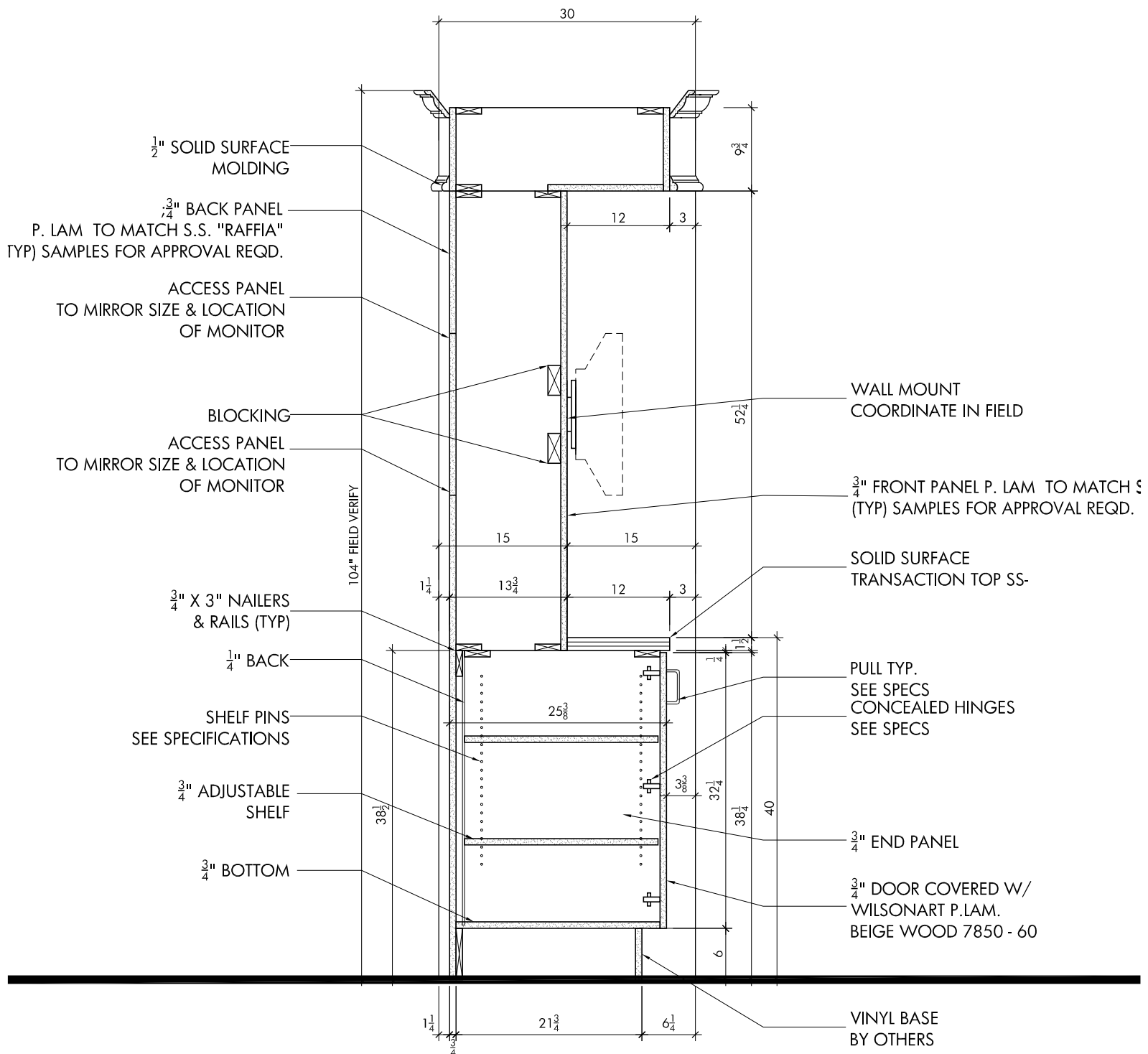
GATES 9-12

**3.1**

***HORIZONTAL SECTION***

V1

SCALE: 3/4" = 1'-0"

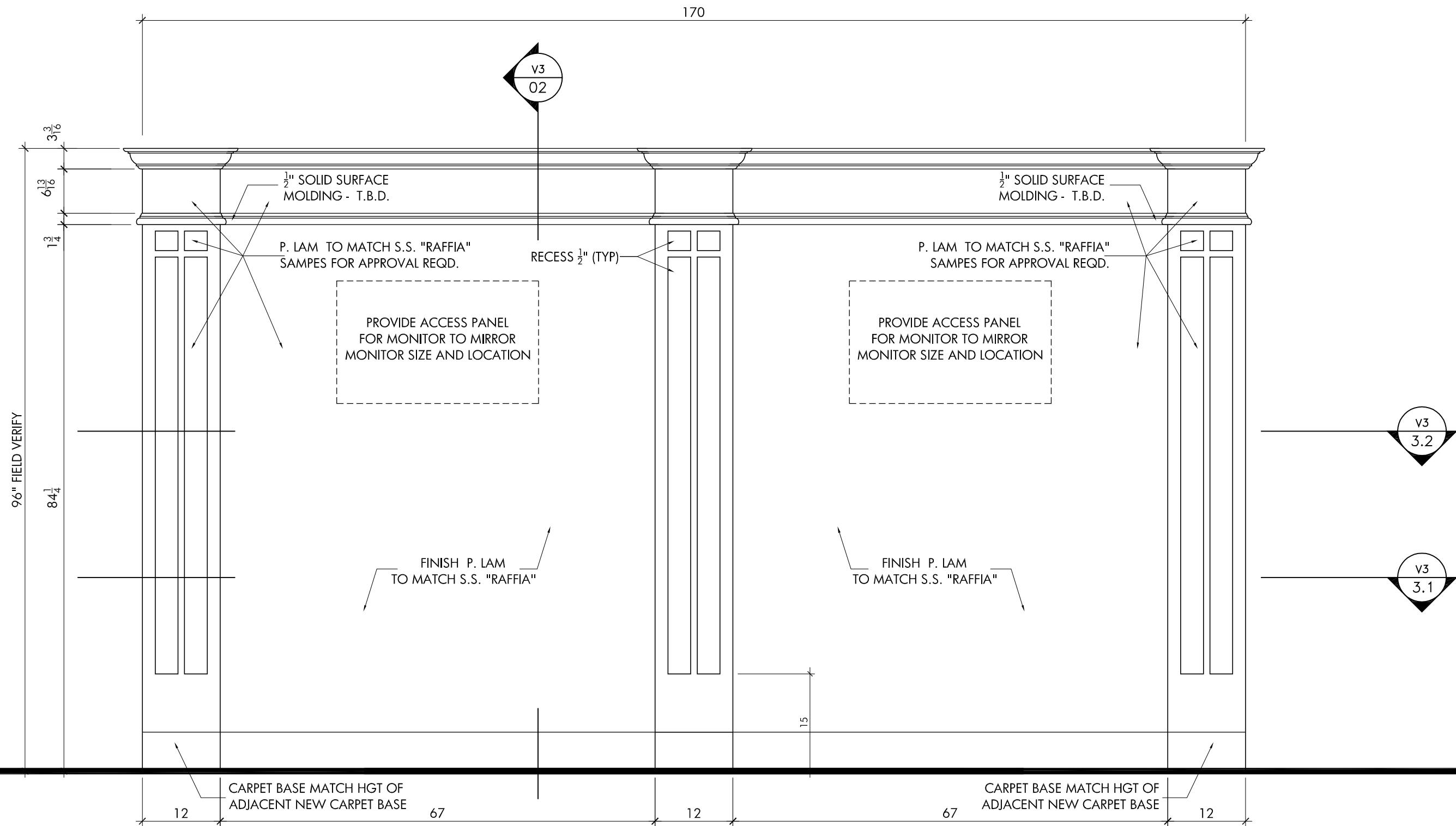


GATES 9-12

**2**  
V1

**VERTICAL SECTION**

SCALE: 3/4" = 1'-0"



**4**  
V3

GATES 9-12  
**BACK ELEVATION**

SCALE: 3/4" = 1'-0"