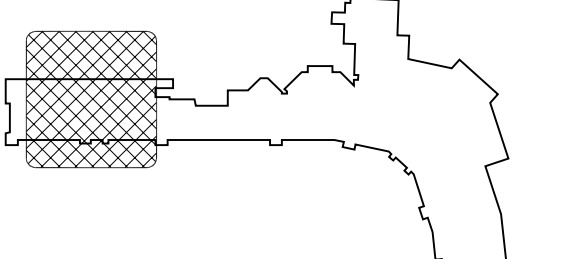


**ECONOMIC STIMULUS PACKAGE
PROJECT - MILLWORK**

KEY PLAN



REVISIONS

No.	Description	Date	By

Designed by: _____ Drawn by: _____ Checked by: _____

Project Name: _____

MILLWORK

Drawing Name: _____

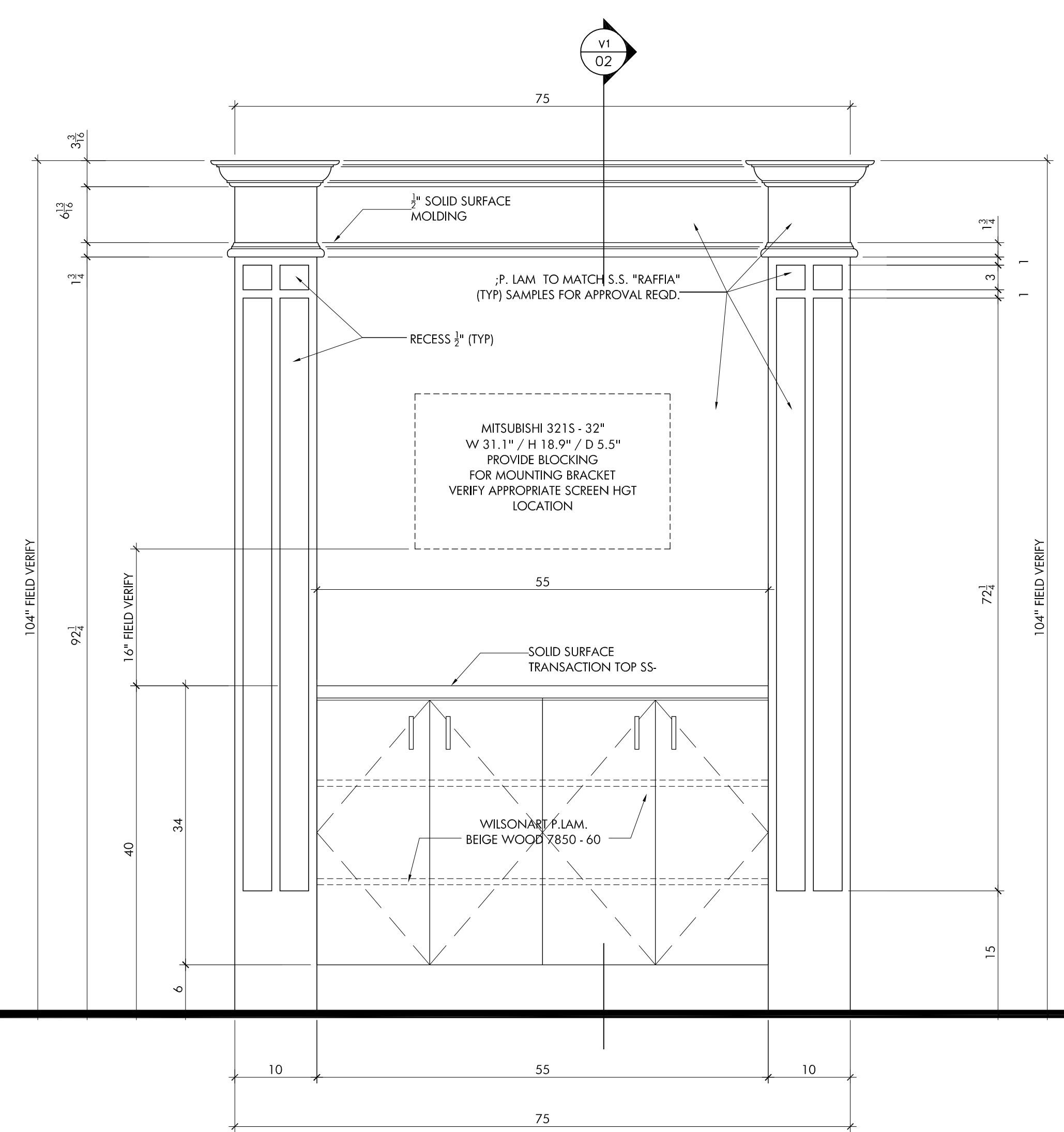
**MILL WORK
GATES 2-6**

LPA Project Number: **AR178005.8** FAA AIP Project Number: _____

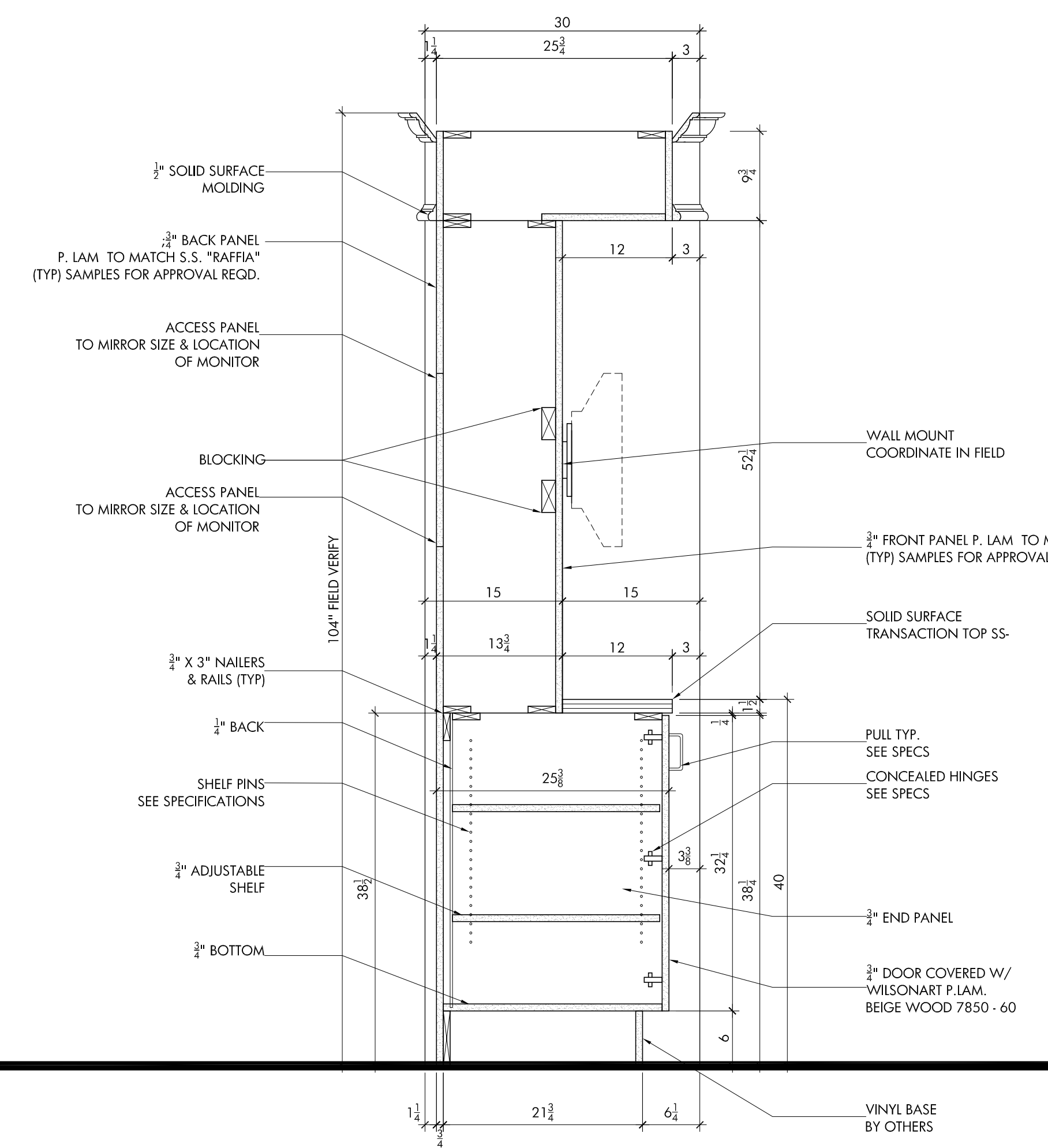
Date: **APRIL 9TH 2009** Division: _____

Drawing Number: _____

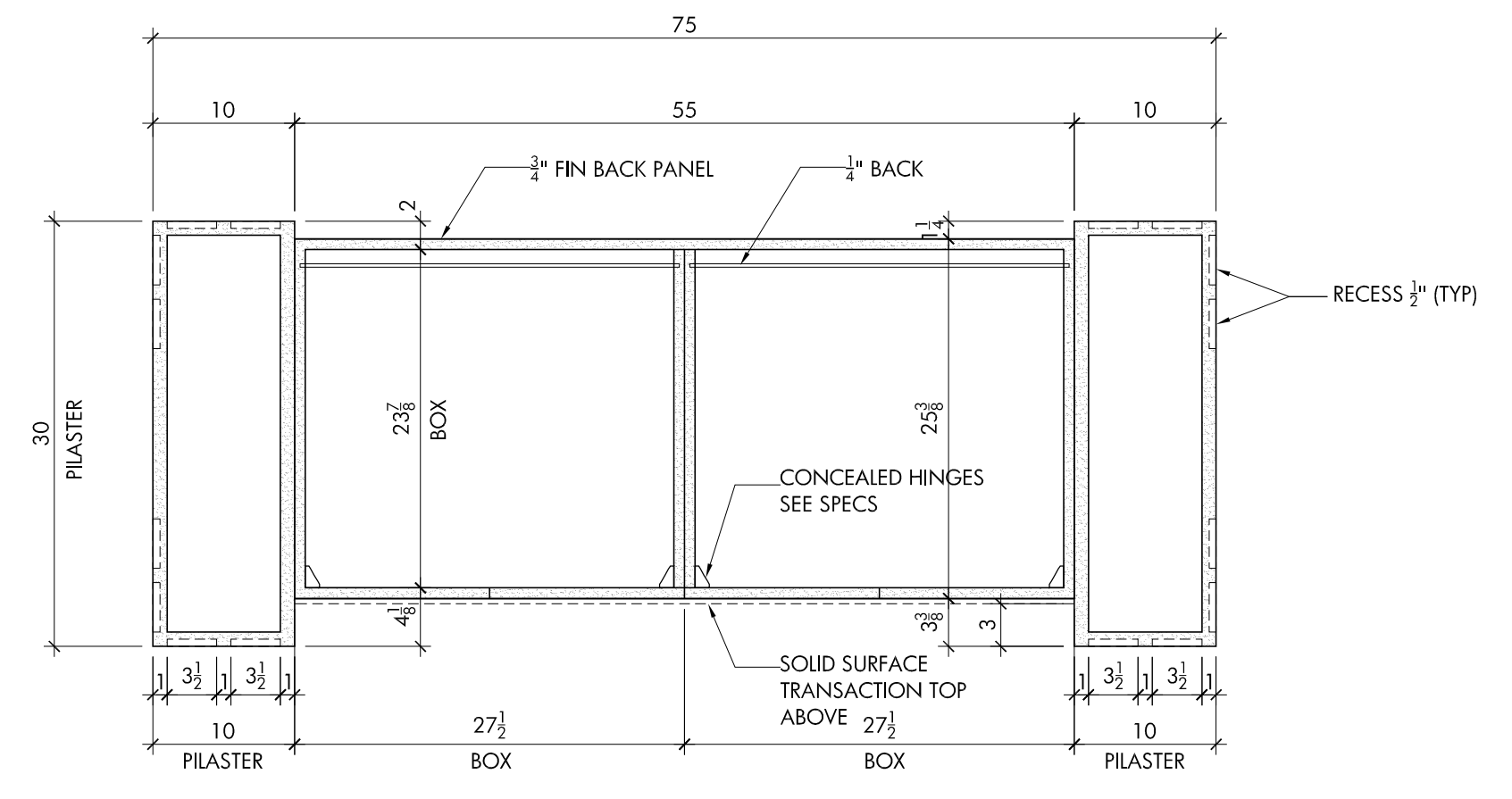
VERSION 1



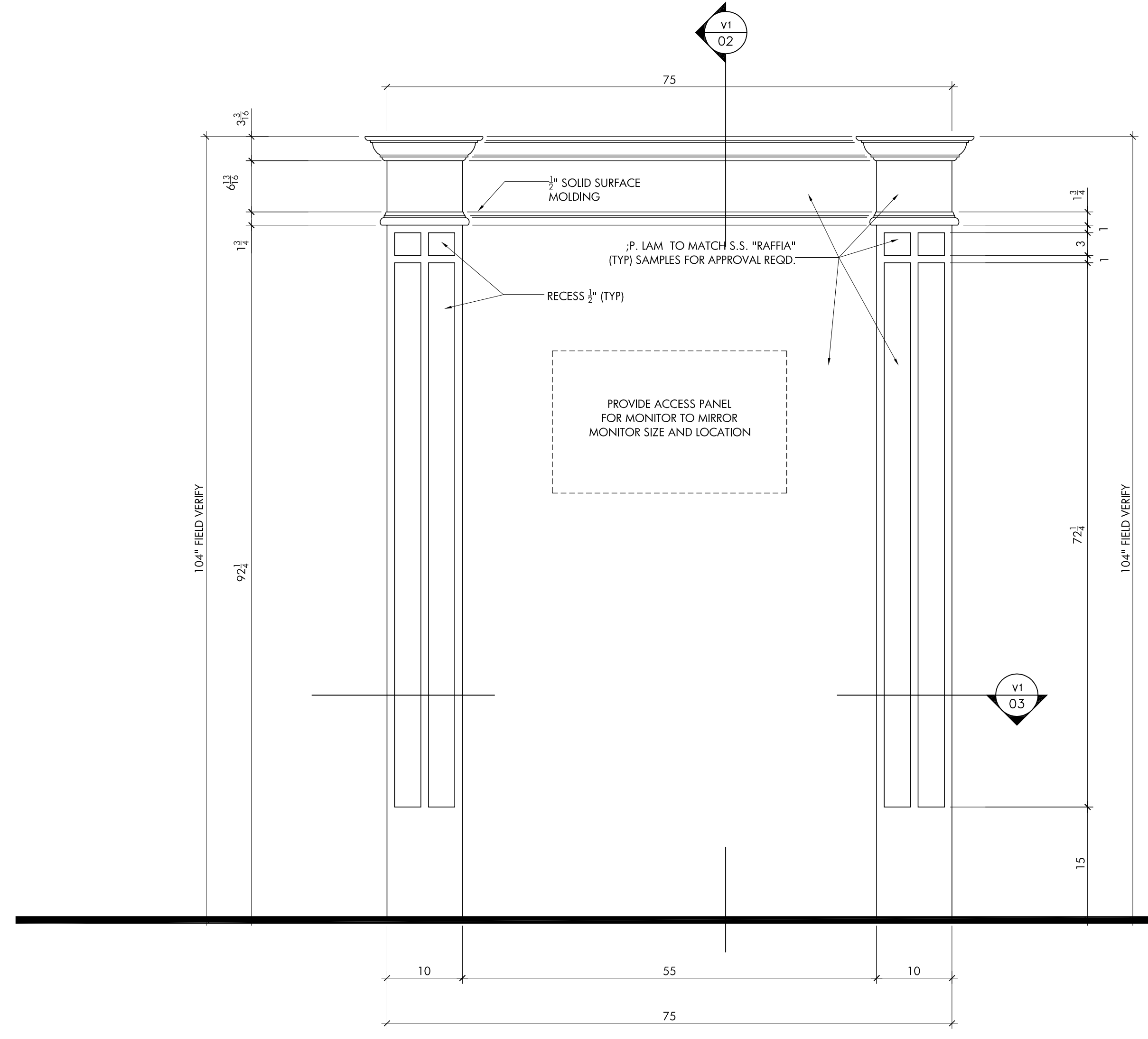
01 FRONT ELEVATION
GATES 2-6
SCALE: 1" = 1'-0"
V1



02 VERTICAL SECTION
GATES 2-6
SCALE: 1" = 1'-0"
V1



03 HORIZONTAL SECTION
GATES 2-6
SCALE: 1" = 1'-0"
V1



04 BACK ELEVATION
GATES 2-6
SCALE: 1" = 1'-0"
V1