

**ECONOMIC STIMULUS PACKAGE
PROJECT - MILLWORK**

KEY PLAN



REVISIONS

No.	Description	Date	By

Designed by: _____ Drawn by: _____ Checked by: _____

Project Name: _____

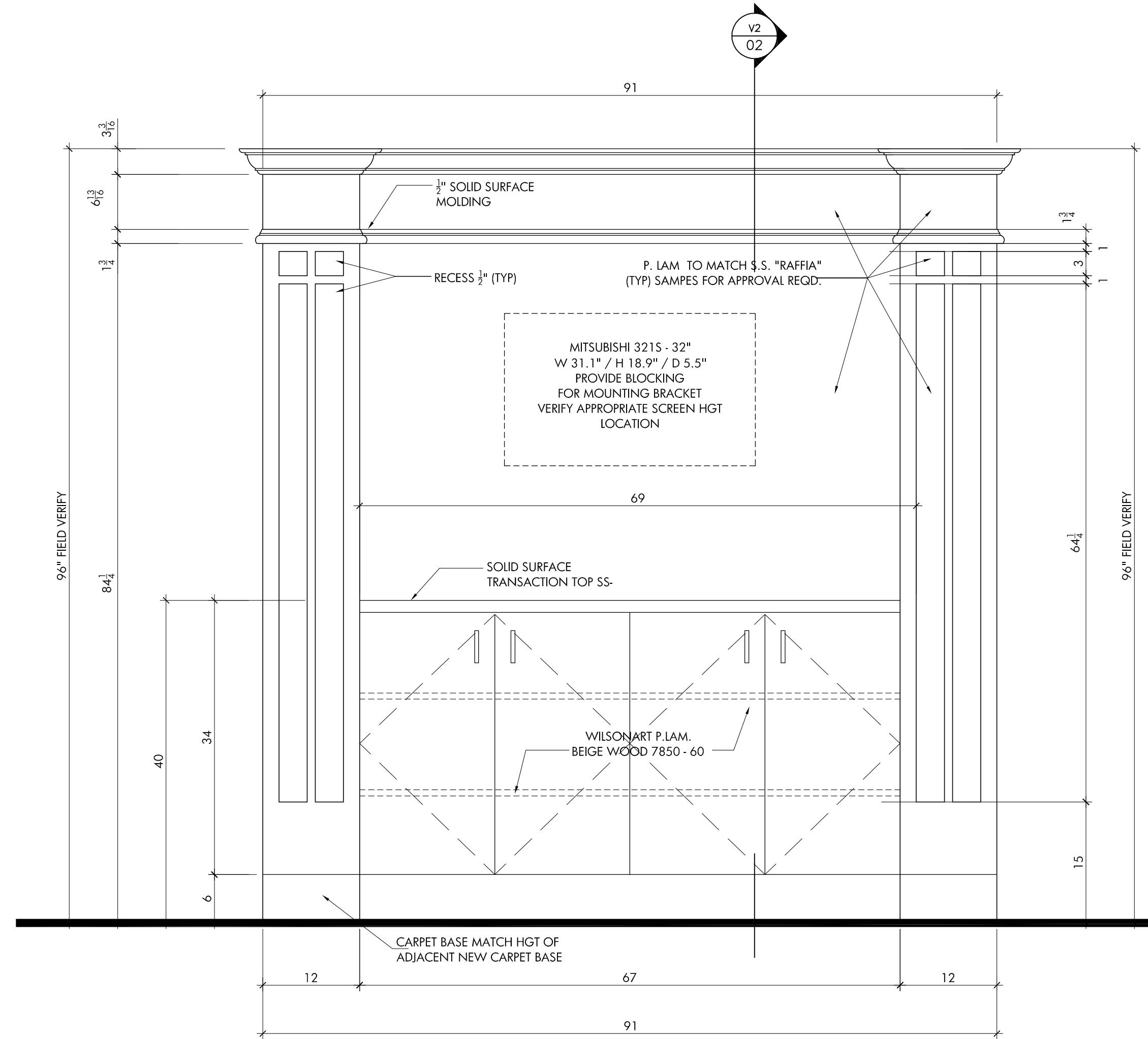
MILLWORK

**MILL WORK
GATES 9-12**

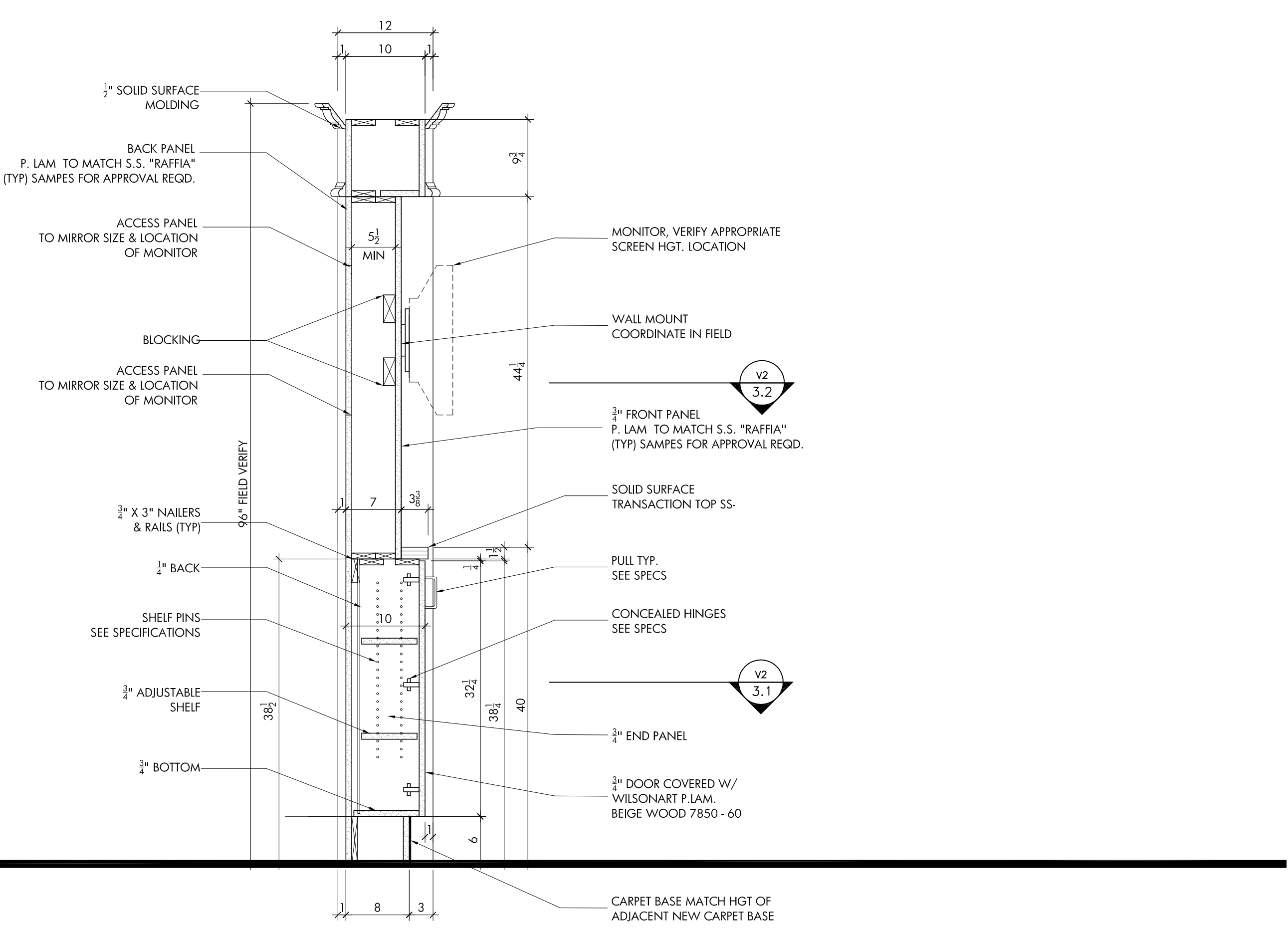
LPA Project Number: **AR178005.8** FAA AIP Project Number: _____
Date: **APRIL 9TH 2009** Division: _____

Drawing Number: _____

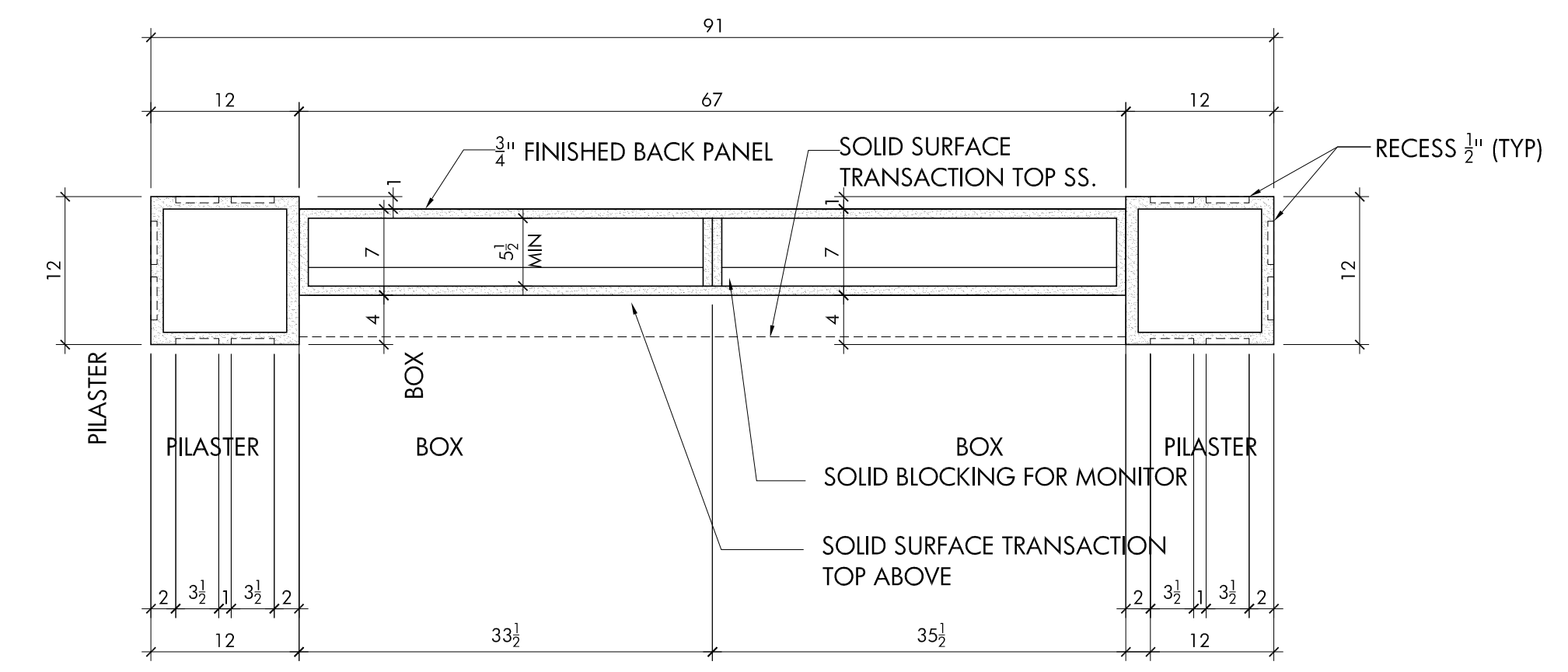
VERSION 2



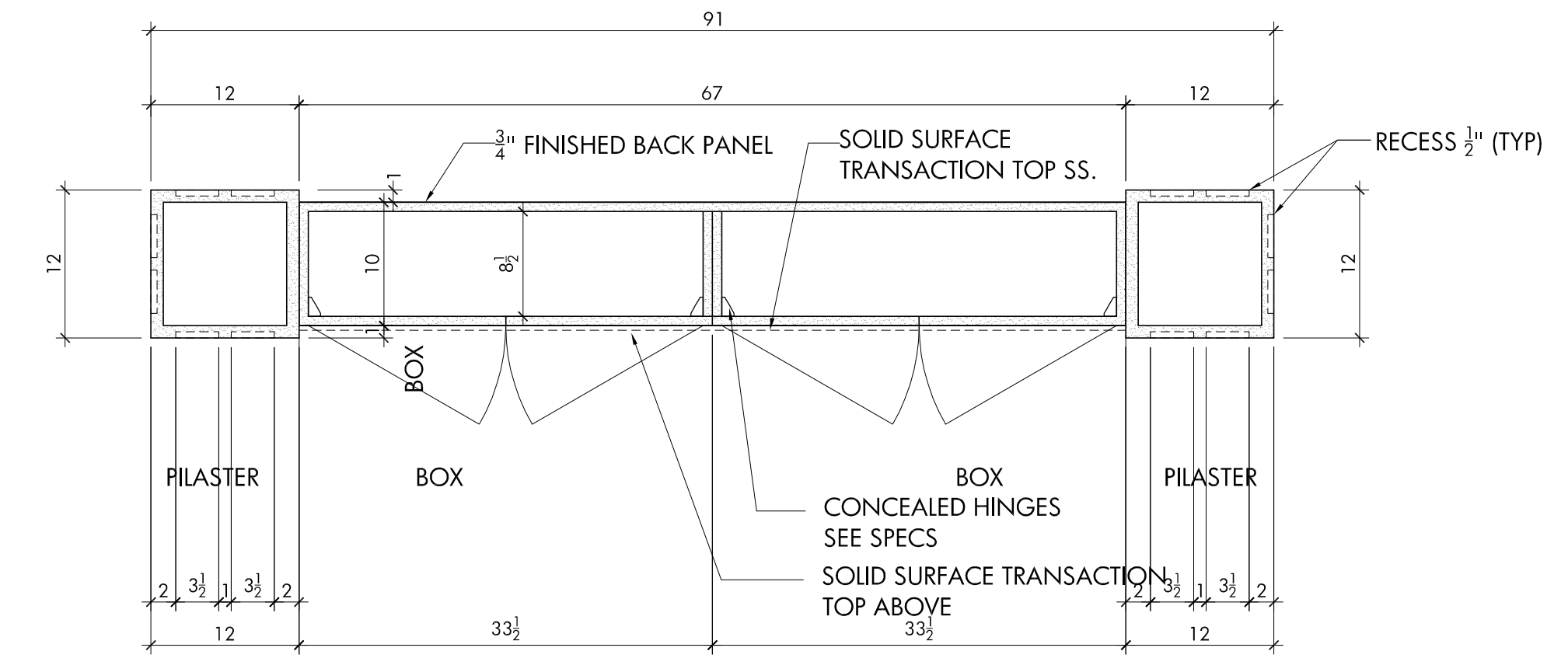
**01 GATES 2-6
FRONT ELEVATION**
SCALE: 1" = 1'-0"



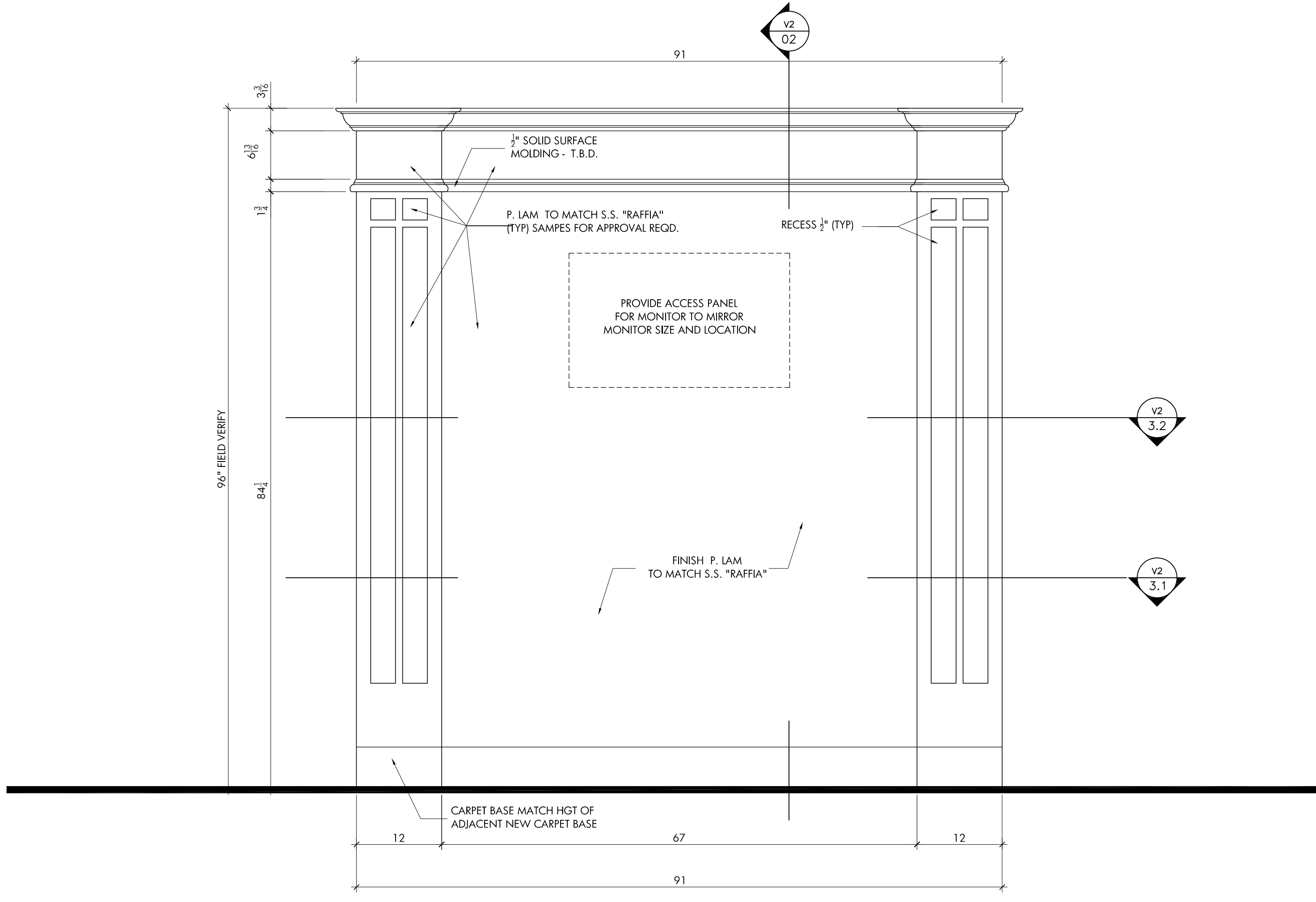
**02 GATES 2-6
VERTICAL SECTION**
SCALE: 1/2" = 1'-0"



**3.2 GATES 2-6
HORIZONTAL SECTION**
SCALE: 1/2" = 1'-0"



**3.1 GATES 2-6
HORIZONTAL SECTION**
SCALE: 1/2" = 1'-0"



**04 GATES 2-6
BACK ELEVATION**
SCALE: 1" = 1'-0"