



# TALLAHASSEE REGIONAL AIRPORT TERMINAL REHAB



Reynolds, Smith and Hills, Inc.

Jacksonville, Florida 32256  
904-256-2500 FAX 904-256-2502  
FL.Cert.Nos. AAC001886 EB0005620 LCC000210

## PROJECT

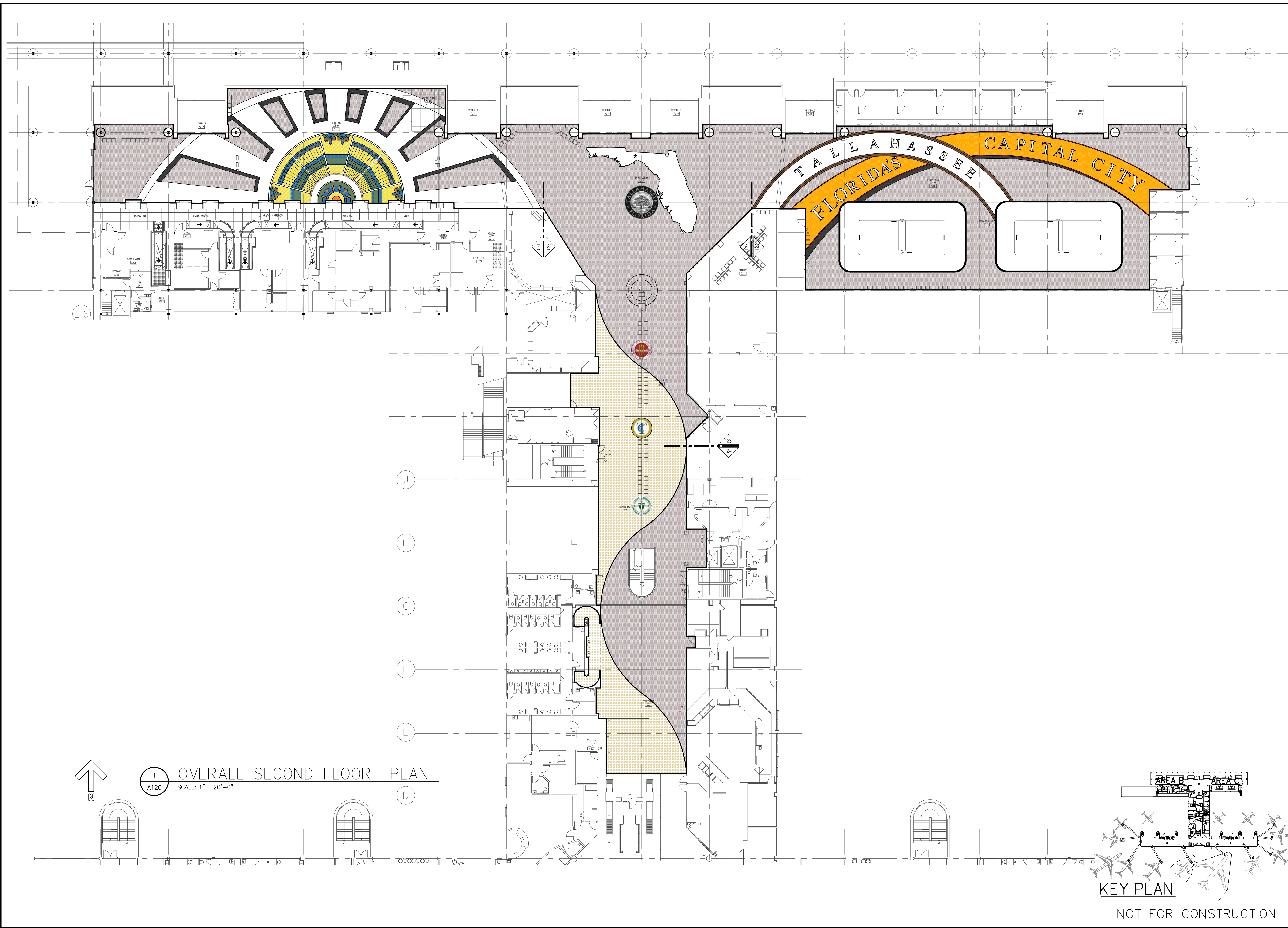
TERRAZZO FLOOR FINISHES  
100% DESIGN SUBMITTAL



Lic# ID 0002289  
FL# 13 0001146  
**Kelly@kellytaaffedesign.com**  
Tel.: 813.695.5049  
Fax: 813.805.2371

## DRAWING INDEX

- |              |           |                           |              |
|--------------|-----------|---------------------------|--------------|
| • TLHINT-120 | FLOORPLAN | TZO-IN CONTRACT WORK AREA | 1" = 20'     |
| • TLHINT-121 | FLOORPLAN | TZO-AREA B                | 1/8" = 1'-0" |
| • TLHINT-122 | FLOORPLAN | TZO-AREA C                | 1/8" = 1'-0" |
| • TLHINT-123 | FLOORPLAN | TZO-AREA D - PARTIAL      | 1/8" = 1'-0" |
| • TLHINT-124 | FLOORPLAN | TZO-AREA D - PARTIAL      | 1/8" = 1'-0" |



**RS&H**

10748 Deerwood Park Blvd South  
 Jacksonville, Florida 32256  
 904-256-2500 FAX 904-256-2502  
 www.rsandh.com  
 FL Lic# 0001886 • EB0005620 • LCC000210

**TALLAHASSEE**  
 REGIONAL AIRPORT  
 TALLAHASSEE, FLORIDA

TALLAHASSEE  
 REGIONAL AIRPORT  
 TALLAHASSEE, FLORIDA

**KTD Inc.**  
*Design*  
 KELLY TAAFFE DESIGN

Lic# ID 0002289  
 FL# 13 0001146  
 Kelly@kellytaaffedesign.com  
 Tel.: 813.695.5049  
 Fax: 813.805.2371

IN-LINE EDS  
 BAGGAGE  
 HANDLING SYSTEM  
 AND  
 TERMINAL REHAB.

REVISIONS

NO.	DESCRIPTION	DATE

DATE ISSUED: NOVEMBER 06, 2014  
 REVIEWED BY:  
 DRAWN BY:  
 DESIGNED BY:

AEP PROJECT NUMBER  
 201-2494-000

© 2014 RS&H, INC.

SHEET TITLE  
**OVERALL  
 SECOND FLOOR  
 TZO- LAYOUT  
 FLOOR FINISHES**

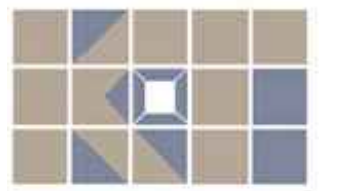
SHEET NUMBER

**INT-120**

100% DESIGN  
 SUBMITTAL

1 OVERALL SECOND FLOOR PLAN  
 A120 SCALE: 1"= 20'-0"

KEY PLAN  
 NOT FOR CONSTRUCTION



*KTD Inc.*  
*Design*  
KELLY TAAFFE DESIGN

Lic# ID 0002289  
FL# 13 0001146  
Kelly@kellytaaffedesign.com  
Tel.: 813.695.5049  
Fax: 813.805.2371

**IN-LINE EDS  
BAGGAGE  
HANDLING SYSTEM  
AND  
TERMINAL REHAB.**

REVISIONS

NO.	DESCRIPTION	DATE

DATE ISSUED: NOVEMBER 06, 2014

REVIEWED BY:  
DRAWN BY:  
DESIGNED BY:

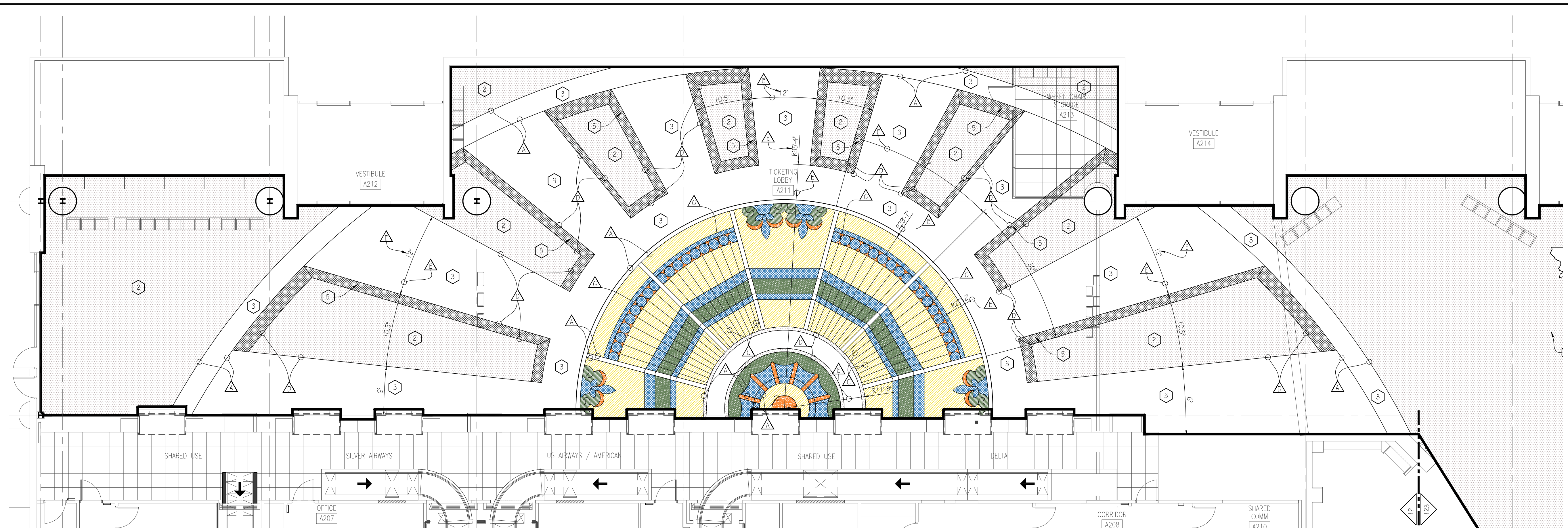
AEP PROJECT NUMBER  
201-2494-000  
© 2014 RS&H, INC.

SHEET TITLE  
**SECOND FLOOR  
PLAN AREA B  
FLOOR FINISHES**

SHEET NUMBER

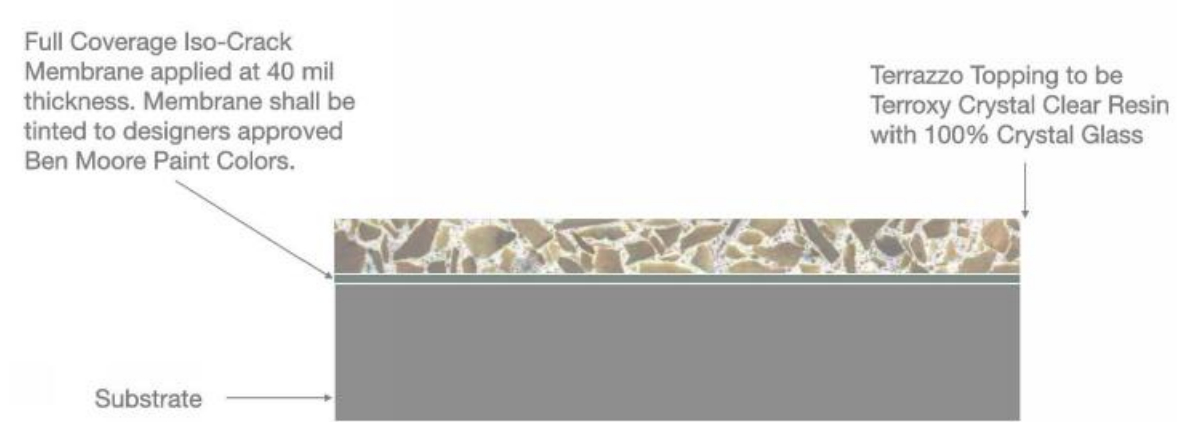
**INT-121**

100% DESIGN  
SUBMITTAL



**1** SECOND FLOOR PLAN AREA B  
A120 SCALE: 1/8" = 1'-0"

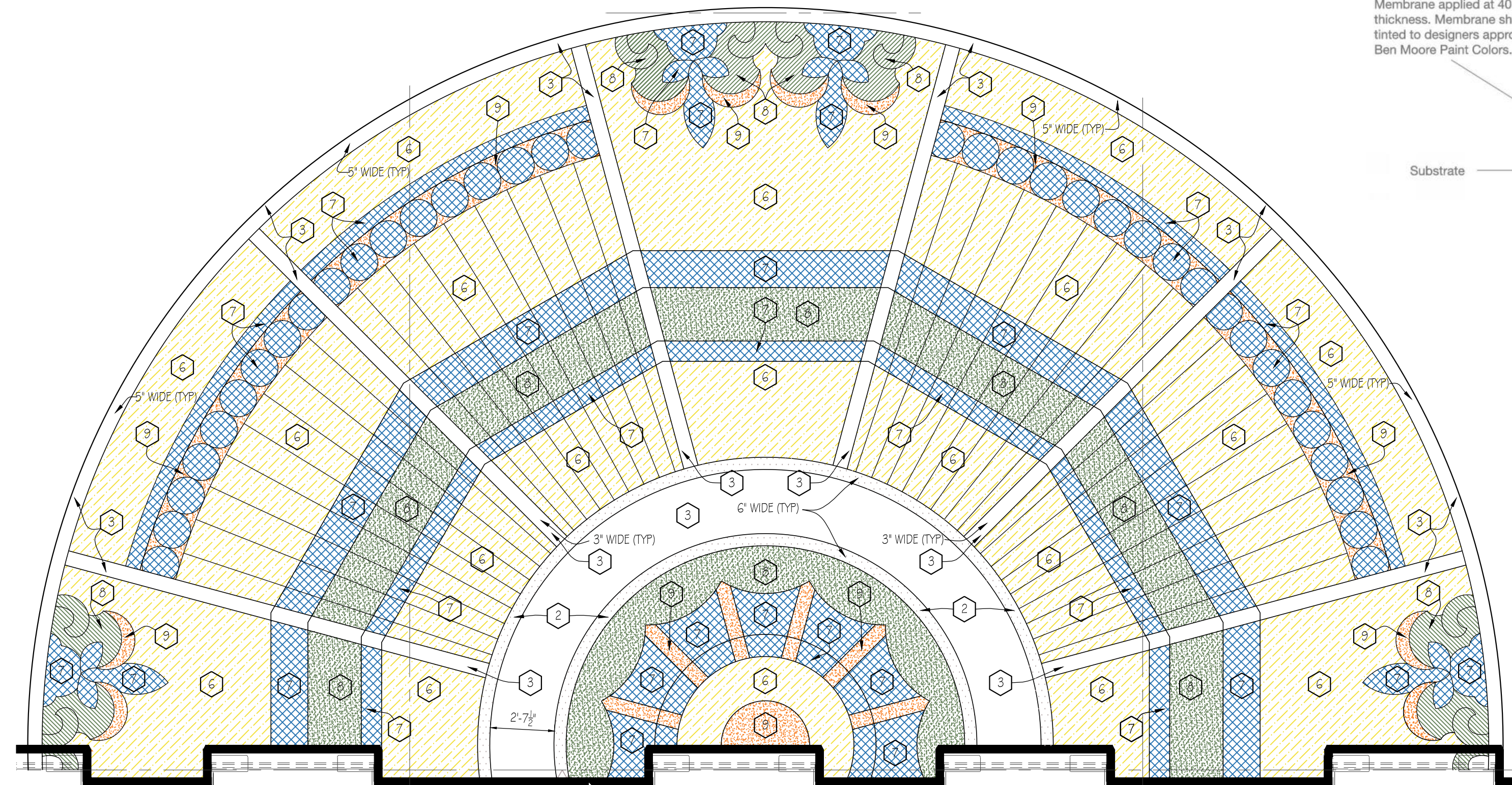
**Stained Glass Windows Terrazzo Detail**



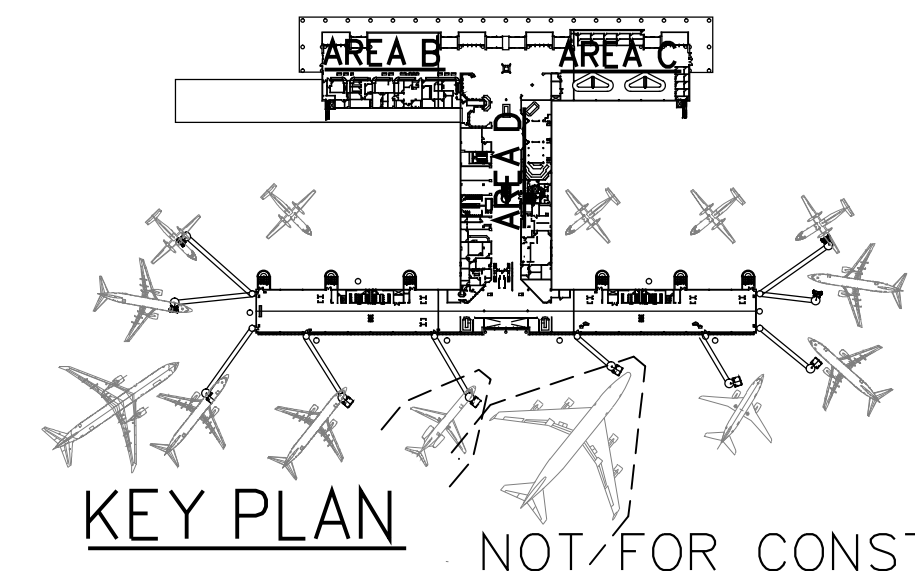
LEGEND

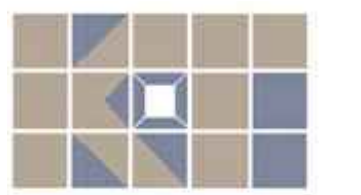
○ T21	MAIN CONCOURSE - WHITE / COLORED GLASS
○ T22	DOVE GRAY (LIGHT)
○ T23	WHITE - PLAIN
○ T24	NOT USED (REPLACED BY T22)
○ T25	SHADOW GRAY
○ T26	ALL YELLOW WINDOW - USE CLEAR EPOXY TINTED CRACK MEMBRANE SUBSTRATE
○ T27	BLUE WINDOW - USE CLEAR EPOXY
○ T28	GREEN WINDOW - USE CLEAR EPOXY
○ T29	GOLD WINDOW (AROUND CIRCLES)
○ T210	BLACK, SEAL
○ T211	GOLD REGULAR, SEAL
○ T212	BRONZE
○ T213	SILVER
○ T214	GREEN-REGULAR, SEAL
○ T215	ORANGE, SEAL
○ T216	BLUE-REGULAR, SEAL
○ T217	RED, SEAL
TZ BASE	FLOOR BOARDS 1/2" 2" THROUGHOUT
△ STRIP A	ALUM 3/8" X 3/8"
△ STRIP B	ALUM 3/8" X 1/4"
△ STRIP C	ALUM 3/8" X 1/8"
△ STRIP D	ALUM 3/8" X 1/6 GAUGE
△ STRIP E	BRASS 3/8" X 1/4"
△ STRIP F	BRASS 3/8" X 1/8"
△ STRIP G	ZINC 3/8" X 1/6 GAUGE

NOTE: PRINTED COLORS ARE NOT REPRESENTATIVE OF INSTALLED PRODUCT. (SEE PHYSICAL CONTROL SAMPLES)



**2** ENLARGED DOME TZO LAYOUT  
A120 SCALE: 1/4" = 1'-0"





*Design*  
KELLY TAAFFE DESIGN

Lic# ID 0002289  
FL# 13 0001146  
kelly@kellytaaffedesign.com  
Tel.: 813.695.5049  
Fax: 813.805.2371

IN-LINE EDS  
BAGGAGE  
HANDLING SYSTEM  
AND  
TERMINAL REHAB.

REVISIONS

NO.	DESCRIPTION	DATE

DATE ISSUED: NOVEMBER 06, 2014  
REVIEWED BY:  
DRAWN BY:  
DESIGNED BY:

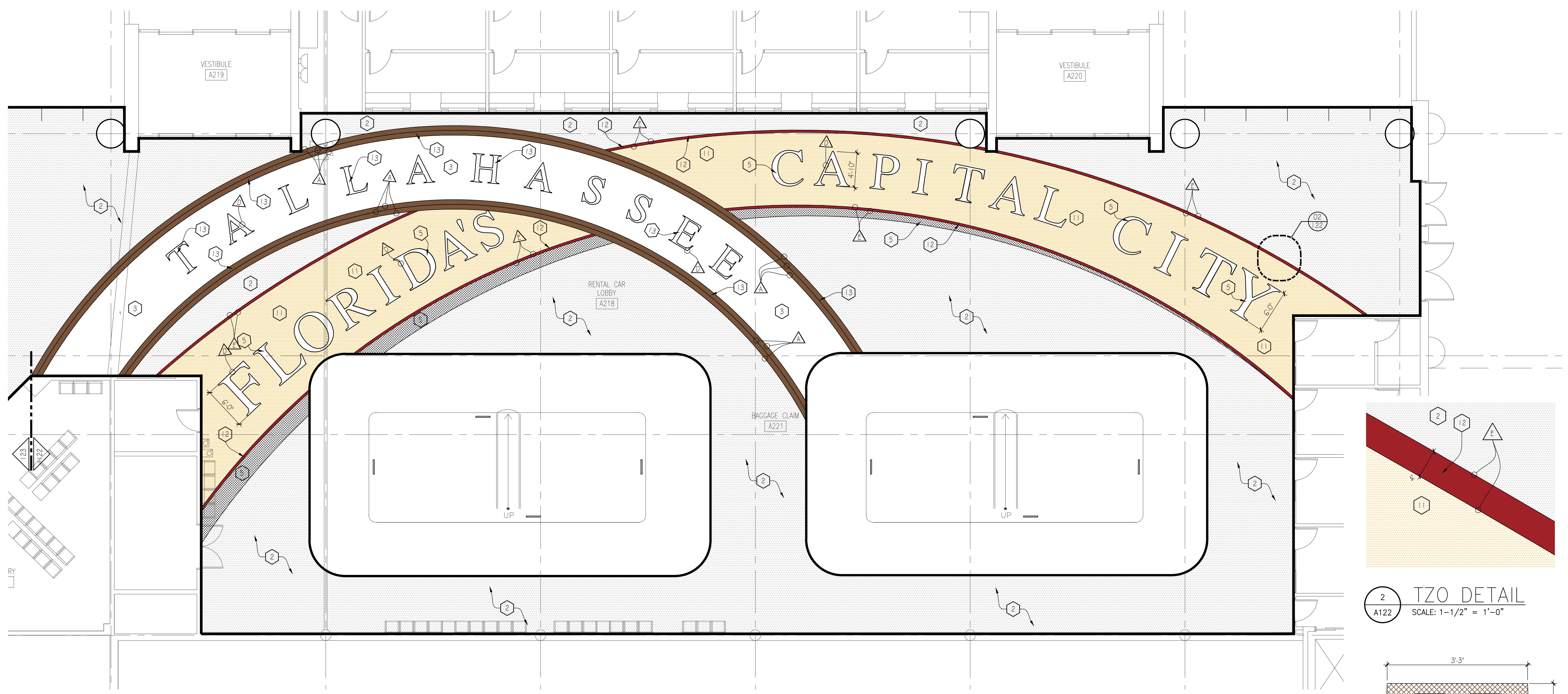
AEP PROJECT NUMBER  
201-2494-000  
© 2014 RS&H, INC.  
SHEET TITLE

SECOND FLOOR  
PLAN AREA C  
FLOOR FINISHES

SHEET NUMBER

INT-122

100% DESIGN  
SUBMITTAL

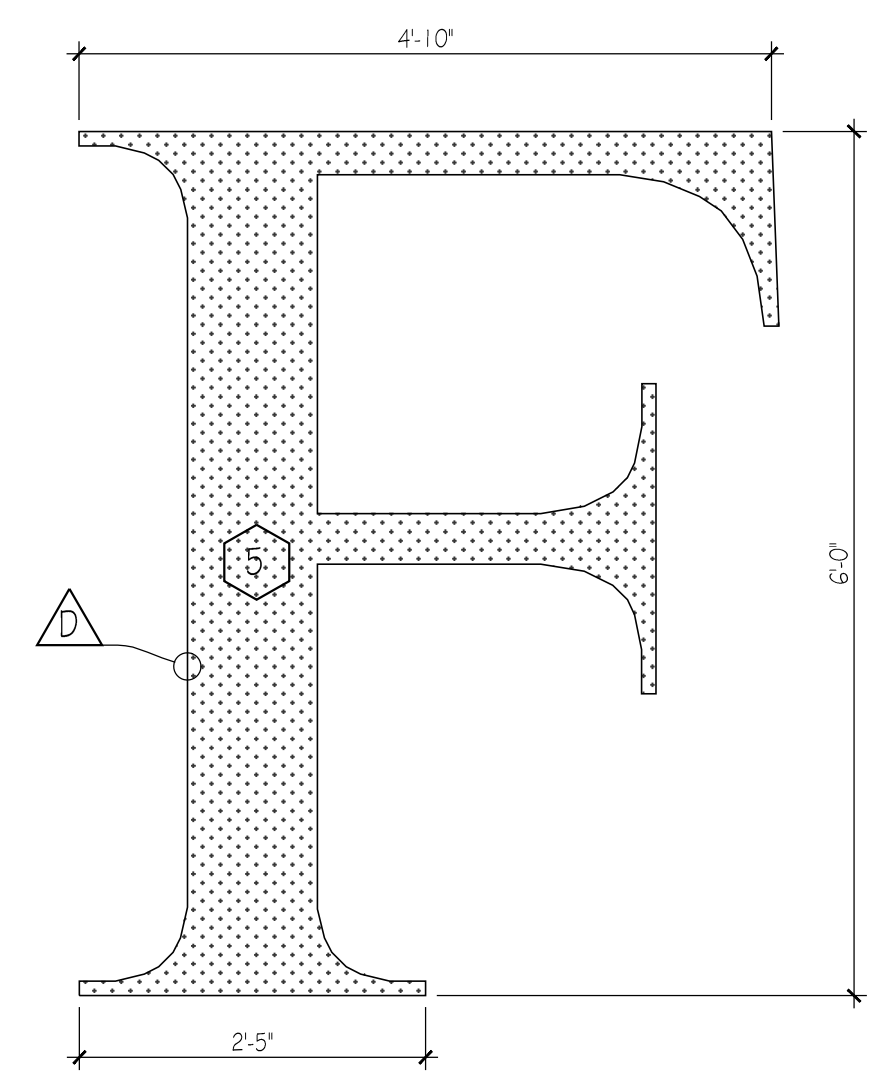


1 SECOND FLOOR PLAN AREA C  
SCALE: 1/8" = 1'-0"

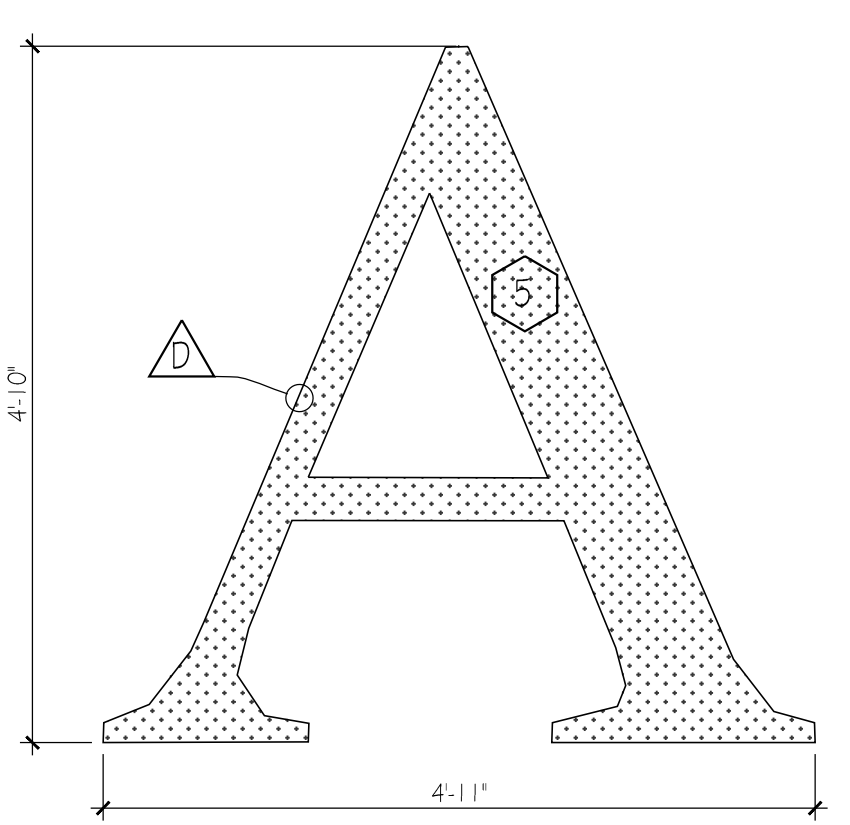
LEGEND

○ T21	MAIN CONCOURSE - WHITE / COLORED GLASS
○ T22	DOVE GRAY (LIGHT)
○ T23	WHITE - PLAIN
○ T24	NOT USED (REPLACED BY T22)
○ T25	SHADOW GRAY
○ T26	ALL YELLOW WINDOW - USE CLEAR EPOXY W/TINTED CRACK MEMBRANE SUBSTRATE
○ T27	BLUE WINDOW - USE CLEAR EPOXY
○ T28	GREEN WINDOW - USE CLEAR EPOXY
○ T29	GOLD WINDOW (AROUND CIRCLES)
○ T210	BLACK, SEAL
○ T211	GOLD REGULAR, SEAL
○ T212	BRONZE
○ T213	SILVER
○ T214	GREEN-REGULAR, SEAL
○ T215	ORANGE, SEAL
○ T216	BLUE-REGULAR, SEAL
○ T217	RED, SEAL
TZ BASE	FLOOR BOARDS 'TZ 2" THROUGHOUT
△ STRIP A	ALUM 3/8" X 3/8"
△ STRIP B	ALUM 3/8" X 1/4"
△ STRIP C	ALUM 3/8" X 1/8"
△ STRIP D	ALUM 3/8" X 1/6 GAUGE
△ STRIP E	BRASS 3/8" X 1/4"
△ STRIP F	BRASS 3/8" X 1/8"
△ STRIP G	ZINC 3/8" X 1/6 GAUGE

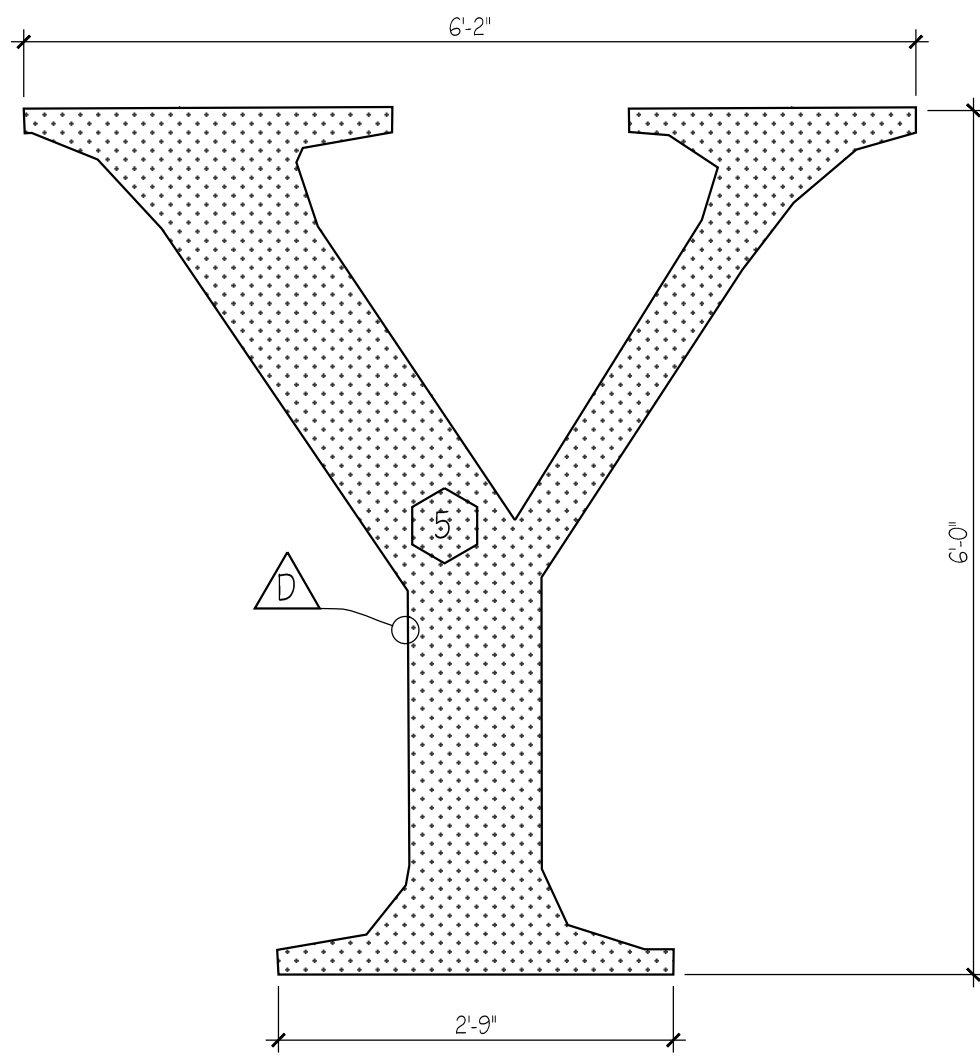
NOTE: PRINTED COLORS ARE NOT REPRESENTATIVE OF INSTALLED PRODUCT. (SEE PHYSICAL CONTROL SAMPLES)



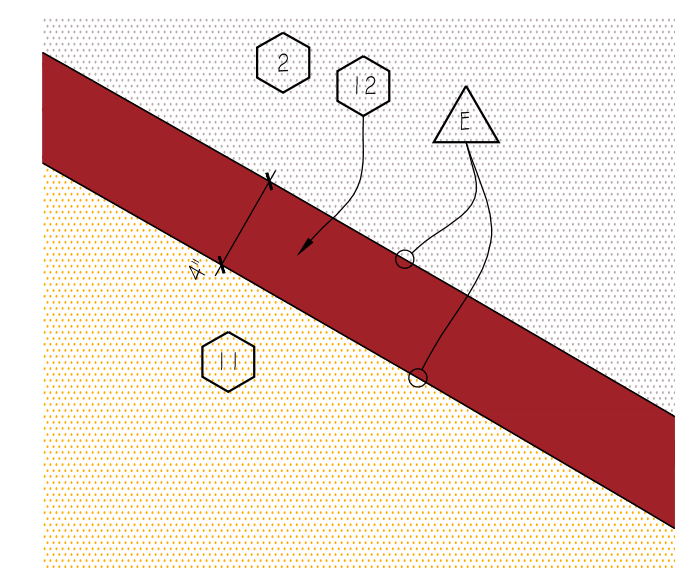
4 TZO FONT - FLORIDA  
SCALE: 3/4" = 1'-0" (LARGEST FONT)



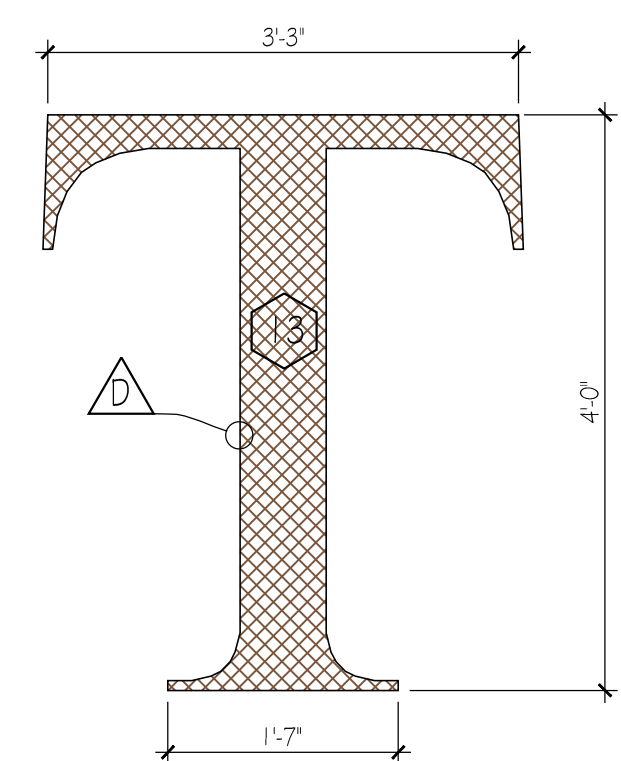
5 TZO FONT - FLORIDA  
SCALE: 3/4" = 1'-0" (SMALLEST FONT)



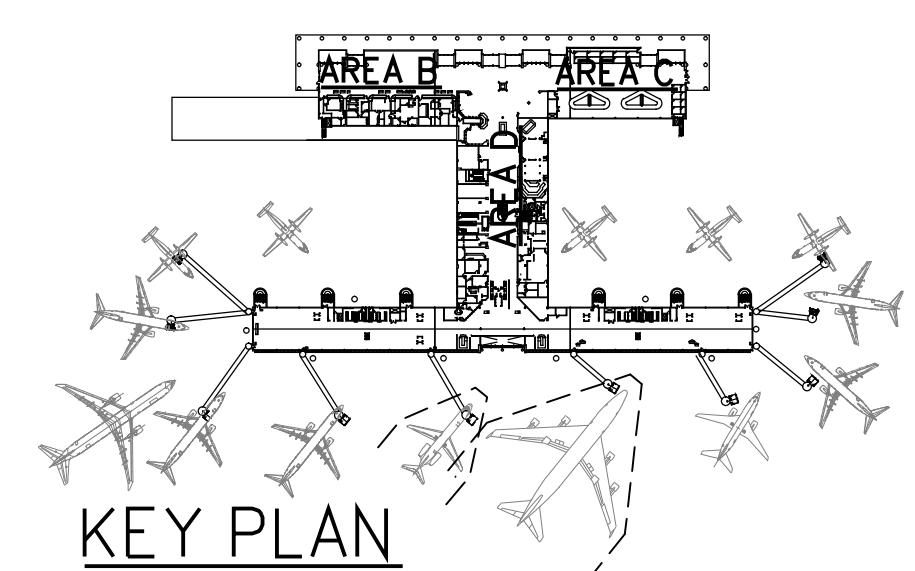
6 TZO FONT - FLORIDA  
SCALE: 3/4" = 1'-0" (LARGEST FONT)



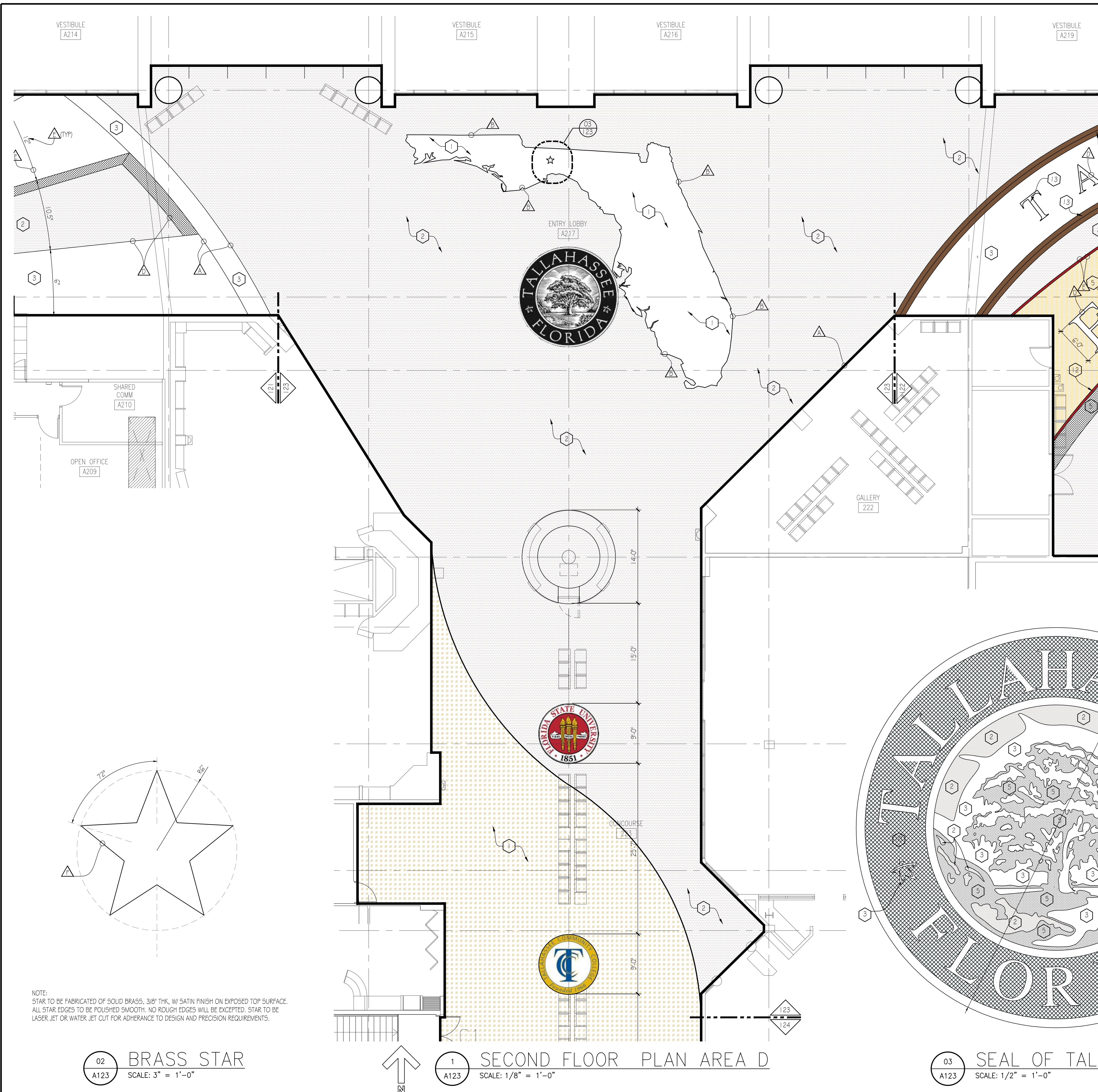
2 TZO DETAIL  
SCALE: 1-1/2" = 1'-0"



3 TZO FONT - TALLAHASSEE  
SCALE: 3/4" = 1'-0" (ALL FONTS SAME SIZE)



NOT FOR CONSTRUCTION



LEGEND

○ TZ1	MAIN CONCOURSE - WHITE / COURED GLASS
○ TZ2	DOVE GRAY (LIGHT)
○ TZ3	WHITE - PLAIN
○ TZ4	NOT USED (REPLACED BY TZ2)
○ TZ5	SHADOW GRAY
○ TZ6	ALL YELLOW WINDOW - USE CLEAR EPOXY W/TINTED CRACK MEMBRANE SUBSTRATE
○ TZ7	BLUE WINDOW - USE CLEAR EPOXY
○ TZ8	GREEN WINDOW - USE CLEAR EPOXY
○ TZ9	GOLD WINDOW (AROUND CIRCLES)
○ TZ10	BLACK, SEAL
○ TZ11	GOLD REGULAR, SEAL
○ TZ12	BRONZE
○ TZ13	SILVER
○ TZ14	GREEN-REGULAR, SEAL
○ TZ15	ORANGE, SEAL
○ TZ16	BLUE-REGULAR, SEAL
○ TZ17	RED, SEAL
TZ BASE	FLOOR BOARDS 'TZ 2" THROUGHOUT
△ STRIP A	ALUM 3/8" X 3/8"
△ STRIP B	ALUM 3/8" X 1/4"
△ STRIP C	ALUM 3/8" X 1/8"
△ STRIP D	ALUM 3/8" X 1/6" GAUGE
△ STRIP E	BRASS 3/8" X 1/4"
△ STRIP F	BRASS 3/8" X 1/8"
△ STRIP G	ZINC 3/8" X 1/6" GAUGE

NOTE: PRINTED COLORS ARE NOT REPRESENTATIVE OF INSTALLED PRODUCT. (SEE PHYSICAL CONTROL SAMPLES)

**RS&H**

10748 Deerwood Park Blvd South  
Jacksonville, Florida 32256  
904-256-2500 FAX 904-256-2502  
www.rsandh.com  
FL Lic# 14001886 - EB005620 - LC000210

**TALLAHASSEE**  
REGIONAL AIRPORT

TALLAHASSEE, FLORIDA

TALLAHASSEE  
REGIONAL AIRPORT

TALLAHASSEE, FLORIDA

**KTD Inc.**  
*Design*  
KELLY TAAFFE DESIGN

Lic# ID 0002289  
FL# 13 0001146  
Kelly@kellytaaffedesign.com  
Tel.: 813.695.5049  
Fax: 813.805.2371

IN-LINE EDS  
BAGGAGE  
HANDLING SYSTEM  
AND  
TERMINAL REHAB.

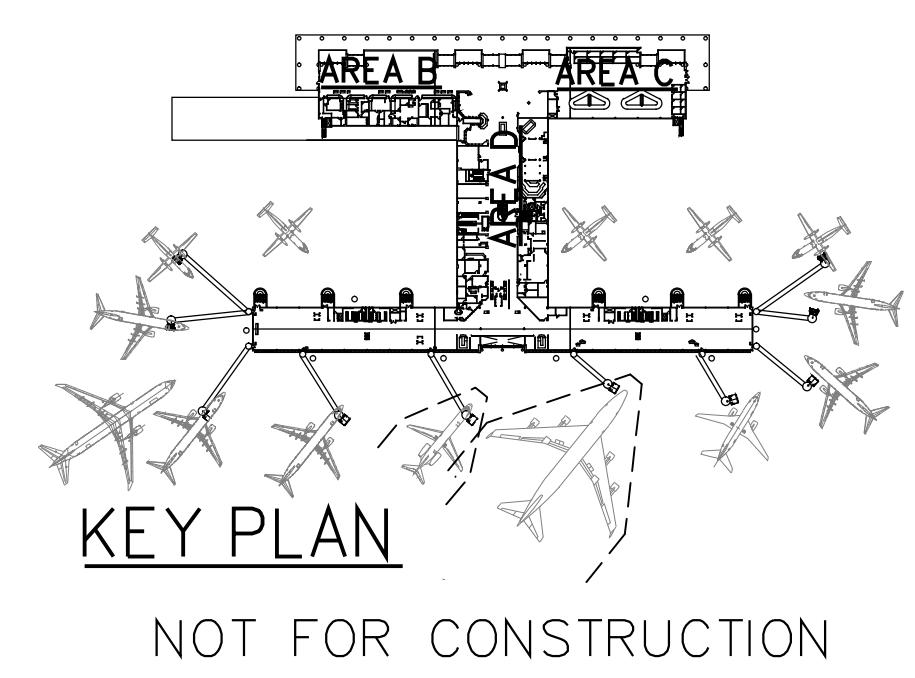
REVISIONS

NO.	DESCRIPTION	DATE

DATE ISSUED: NOVEMBER 06, 2014  
REVIEWED BY:  
DRAWN BY:  
DESIGNED BY:  
AEP PROJECT NUMBER  
201-2494-000  
© 2014 RS&H, INC.  
SHEET TITLE

SECOND FLOOR  
PLAN AREA D  
FLOOR FINISHES

SHEET NUMBER  
INT-123  
100% DESIGN  
SUBMITTAL

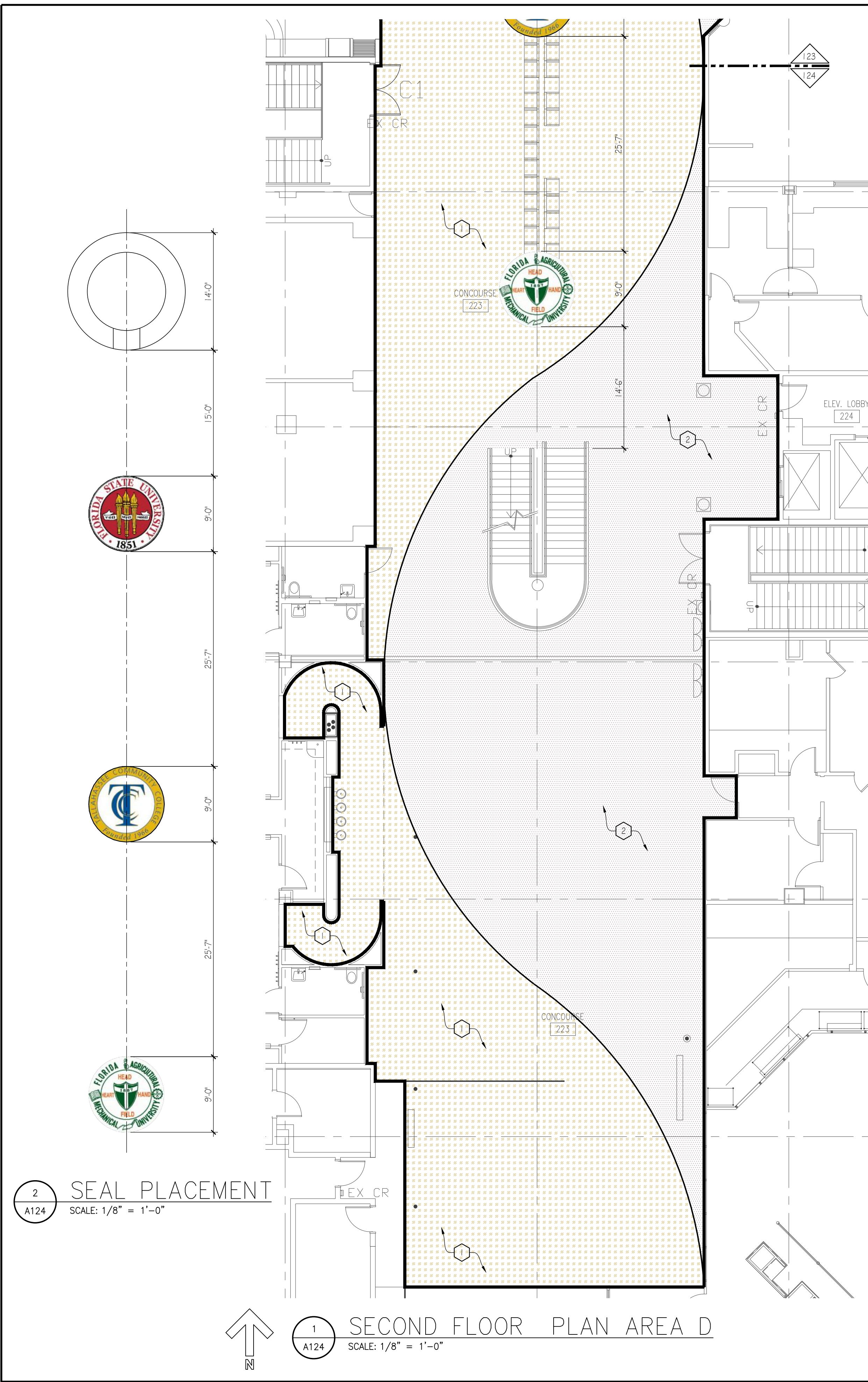


NOTE:  
STAR TO BE FABRICATED OF SOLID BRASS, 3/8" THK, W SATIN FINISH ON EXPOSED TOP SURFACE.  
ALL STAR EDGES TO BE POLISHED SMOOTH. NO ROUGH EDGES WILL BE EXCEPTED. STAR TO BE  
LASER JET OR WATER JET CUT FOR ADHERANCE TO DESIGN AND PRECISION REQUIREMENTS.

02 BRASS STAR  
A123 SCALE: 3" = 1'-0"

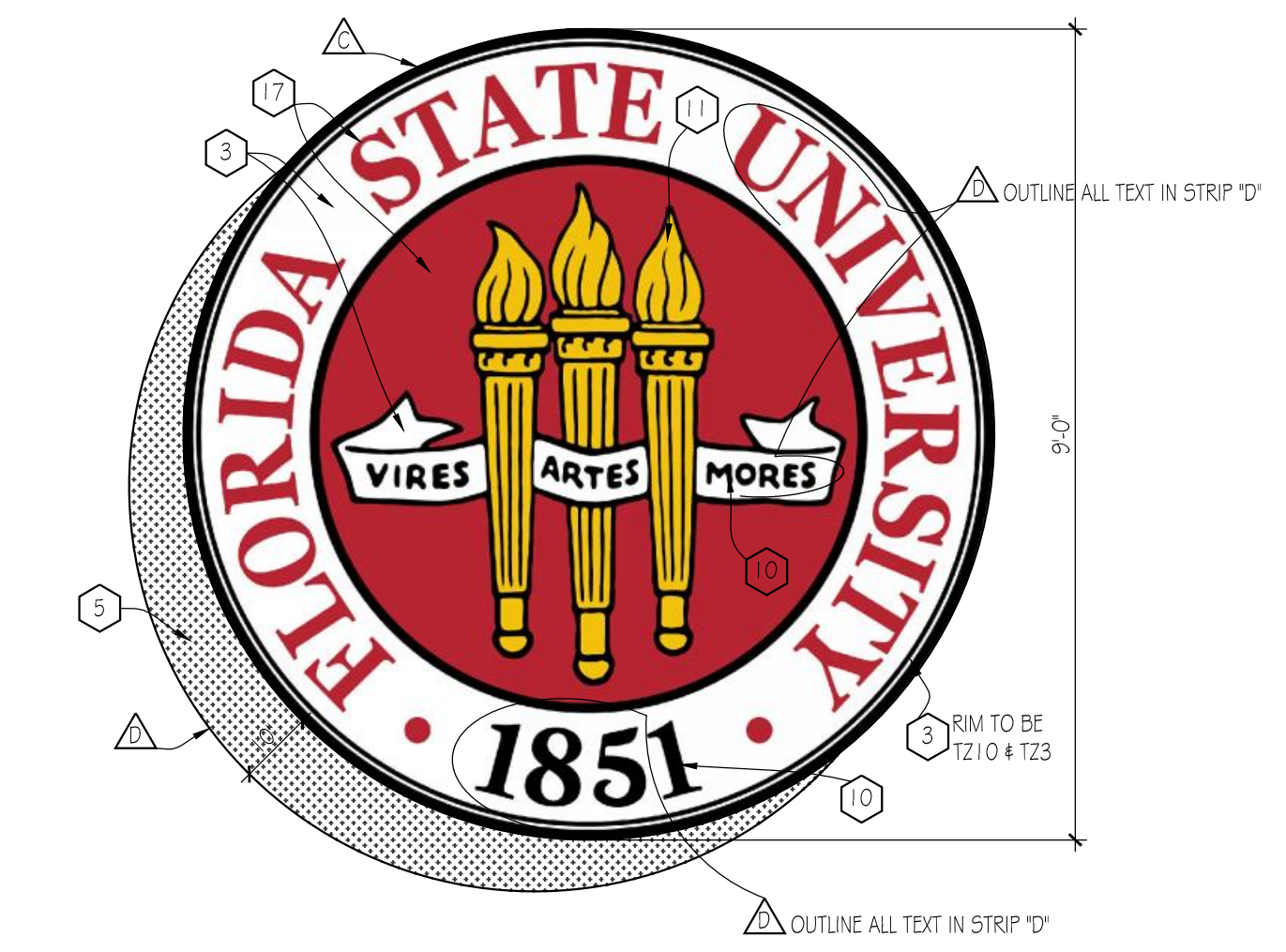
1 SECOND FLOOR PLAN AREA D  
A123 SCALE: 1/8" = 1'-0"

03 SEAL OF TALLAHASSEE - DTL  
A123 SCALE: 1/2" = 1'-0"



2 SEAL PLACEMENT  
A124 SCALE: 1/8" = 1'-0"

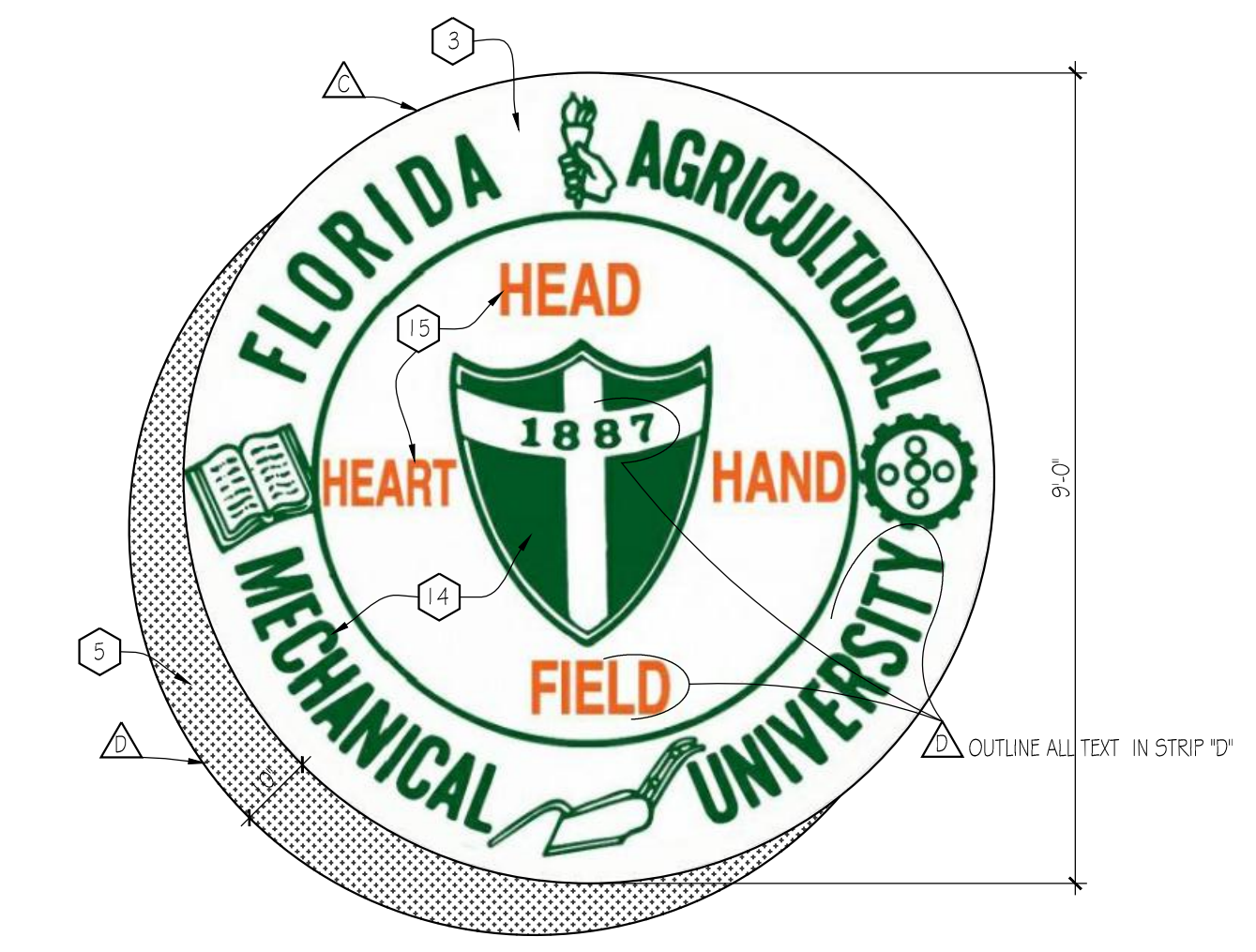
1 SECOND FLOOR PLAN AREA D  
A124 SCALE: 1/8" = 1'-0"



5 FLORIDA STATE UNIVERSITY  
A124 SCALE: 1/2" = 1'-0"



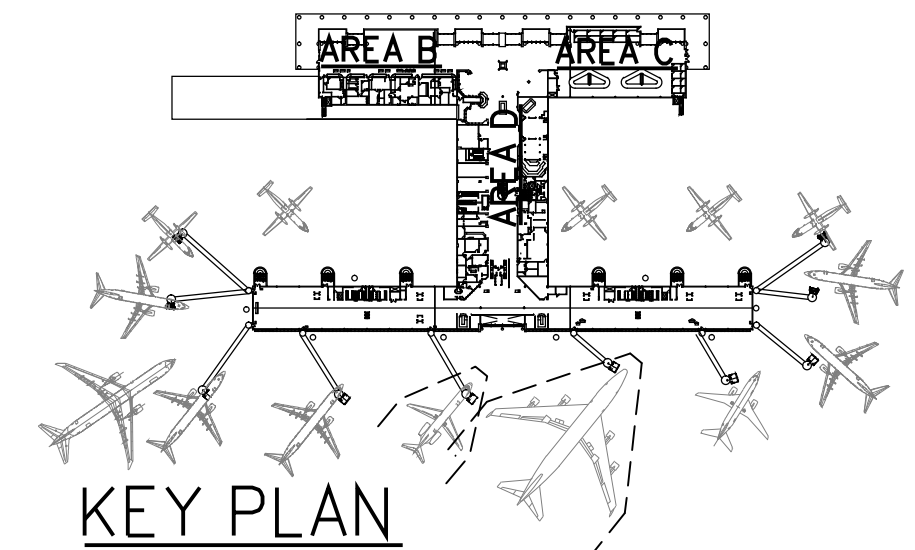
4 TALLAHASSEE COMMUNITY COLLEGE  
A124 SCALE: 1/2" = 1'-0"



3 FLORIDA AGRICULTURAL  
A124 SCALE: 1/2" = 1'-0"

LEGEND	
○ TZ1	MAIN CONCOURSE - WHITE / COURED GLASS
○ TZ2	DOVE GRAY (LIGHT)
○ TZ3	WHITE - PLAIN
○ TZ4	NOT USED (REPLACED BY TZ2)
○ TZ5	SHADOW GRAY
○ TZ6	ALL YELLOW WINDOW - USE CLEAR EPOXY W/TINTED CRACK MEMBRANE SUBSTRATE
○ TZ7	BLUE WINDOW - USE CLEAR EPOXY
○ TZ8	GREEN WINDOW - USE CLEAR EPOXY
○ TZ9	GOLD WINDOW (AROUND CIRCLES)
○ TZ10	BLACK, SEAL
○ TZ11	GOLD REGULAR, SEAL
○ TZ12	BRONZE
○ TZ13	SILVER
○ TZ14	GREEN-REGULAR, SEAL
○ TZ15	ORANGE, SEAL
○ TZ16	BLUE-REGULAR, SEAL
○ TZ17	RED, SEAL
TZ BASE	FLOOR BOARDS "TZ 2" THROUGHOUT
△ STRIP A	ALUM 3/8" X 3/8"
△ STRIP B	ALUM 3/8" X 1/4"
△ STRIP C	ALUM 3/8" X 1/8"
△ STRIP D	ALUM 3/8" X 1/6 GAUGE
△ STRIP E	BRASS 3/8" X 1/4"
△ STRIP F	BRASS 3/8" X 1/8"
△ STRIP G	ZINC 3/8" X 1/6 GAUGE

NOTE: PRINTED COLORS ARE NOT REPRESENTATIVE OF INSTALLED PRODUCT. (SEE PHYSICAL CONTROL SAMPLES)



KEY PLAN  
NOT FOR CONSTRUCTION

**RS&H**  
10748 Deerwood Park Blvd South  
Jacksonville, Florida 32256  
904-256-2500 FAX 904-256-2502  
www.rsandh.com  
FL Cert. No. AK001886 - EB0056620 - LCC000210

**TALLAHASSEE**  
REGIONAL AIRPORT  
TALLAHASSEE, FLORIDA

TALLAHASSEE  
REGIONAL AIRPORT  
TALLAHASSEE, FLORIDA



Lic# ID 0002289  
FL# 13 0001146  
Kelly@kellytaaffedesign.com  
Tel.: 813.695.5049  
Fax: 813.805.2371

IN-LINE EDS  
BAGGAGE  
HANDLING SYSTEM  
AND  
TERMINAL REHAB.

REVISIONS		
NO.	DESCRIPTION	DATE

DATE ISSUED: NOVEMBER 06, 2014  
REVIEWED BY:  
DRAWN BY:  
DESIGNED BY:  
AEP PROJECT NUMBER  
201-2494-000  
© 2014 RS&H, INC.  
SHEET TITLE

SECOND FLOOR  
PLAN AREA D  
FLOOR FINISHES

SHEET NUMBER  
INT-124

100% DESIGN  
SUBMITTAL