



TALLAHASSEE REGIONAL AIRPORT TERMINAL REHAB



Reynolds, Smith and Hills, Inc.

Jacksonville, Florida 32256
904-256-2500 FAX 904-256-2502
FL.Cert.Nos. AAC001886 EB0005620 LCC000210

PROJECT

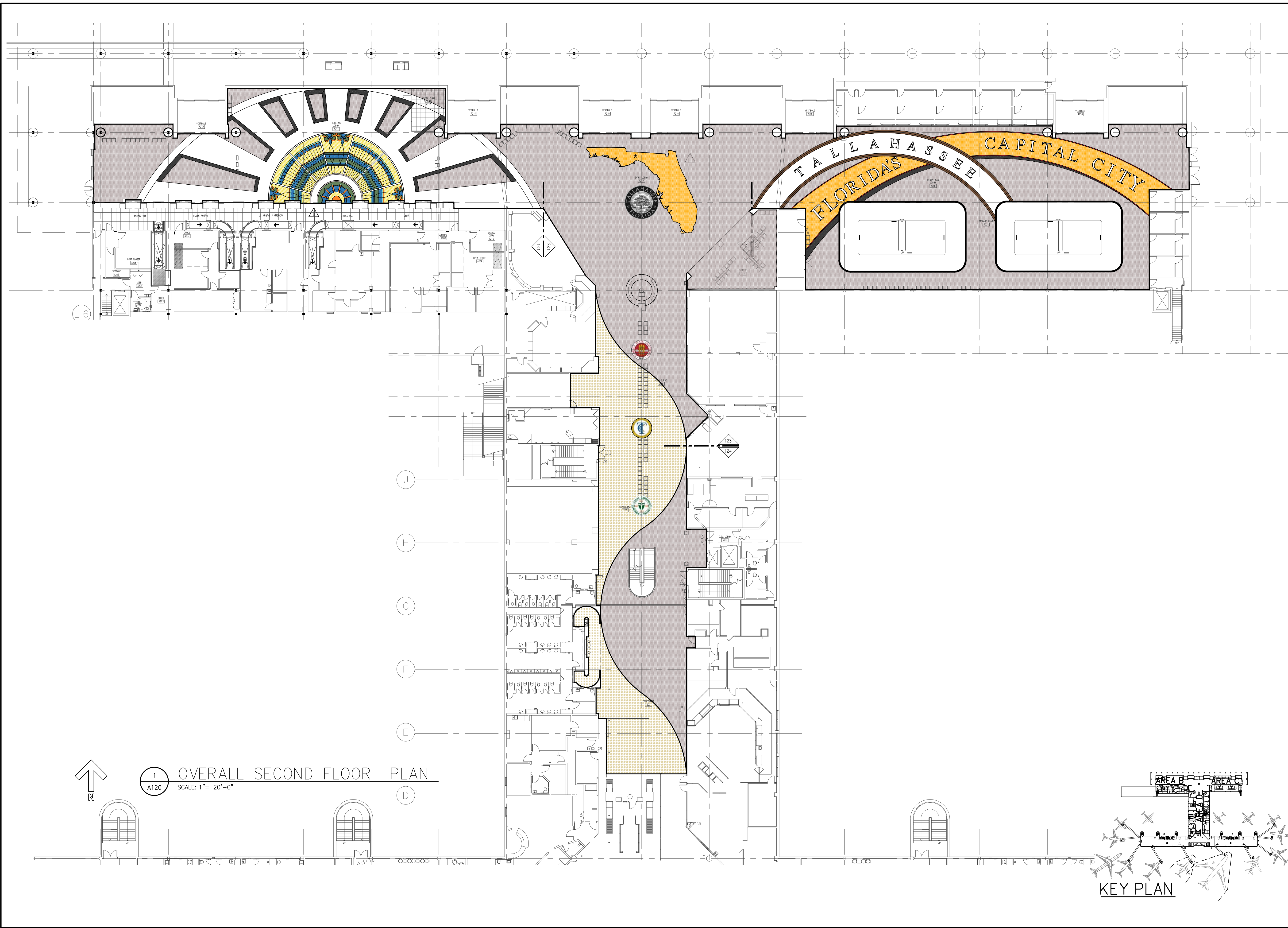
TERRAZZO FLOOR FINISHES
100% DESIGN SUBMITTAL



Lic# ID 0002289
FL# 13 0001146
Kelly@kellytaaffedesign.com
Tel.: 813.695.5049
Fax: 813.805.2371

DRAWING INDEX

- | | | | |
|--------------|-----------|---------------------------|--------------|
| • TLHINT-120 | FLOORPLAN | TZO-IN CONTRACT WORK AREA | 1" = 20' |
| • TLHINT-121 | FLOORPLAN | TZO-AREA B | 1/8" = 1'-0" |
| • TLHINT-122 | FLOORPLAN | TZO-AREA C | 1/8" = 1'-0" |
| • TLHINT-123 | FLOORPLAN | TZO-AREA D - PARTIAL | 1/8" = 1'-0" |
| • TLHINT-124 | FLOORPLAN | TZO-AREA D - PARTIAL | 1/8" = 1'-0" |



1 OVERALL SECOND FLOOR PLAN
 A120 SCALE: 1" = 20'-0"



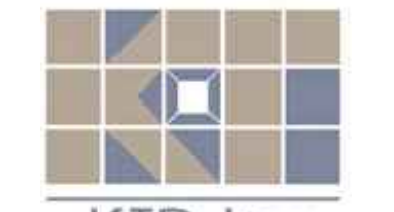
10748 Deerwood Park Blvd South
 Jacksonville, Florida 32256
 904-256-2500 FAX 904-256-2502
 www.rsandh.com
 FL Lic# 1886 - E0005620 - LC0000210



TALLAHASSEE, FLORIDA

TALLAHASSEE REGIONAL AIRPORT

TALLAHASSEE, FLORIDA



KTD Inc.
Design
 KELLY TAAFFE DESIGN

Lic# ID 0002289
 FL# 13 0001146
 Kelly@kellytaaffedesign.com
 Tel.: 813.695.5049
 Fax: 813.805.2371

IN-LINE EDS
 BAGGAGE
 HANDLING SYSTEM
 AND
 TERMINAL REHAB.

REVISIONS

NO.	DESCRIPTION	DATE
1	CONFORMED	8/28/15

DATE ISSUED: FEBRUARY 13, 2015
 REVIEWED BY:
 DRAWN BY:
 DESIGNED BY:

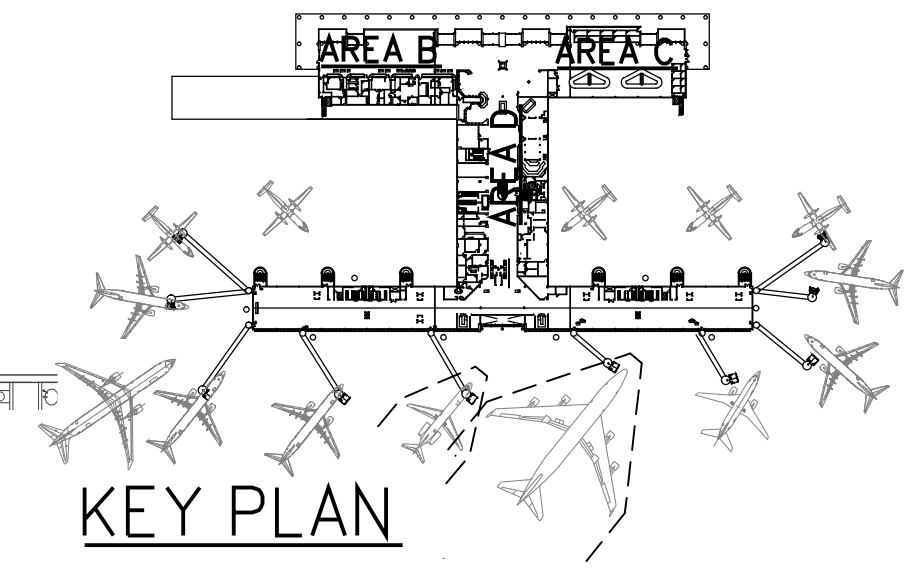
AEP PROJECT NUMBER
 201-2494-000
 © 2014 RS&H, INC.

SHEET TITLE
 OVERALL
 SECOND FLOOR
 TZO- LAYOUT
 FLOOR FINISHES

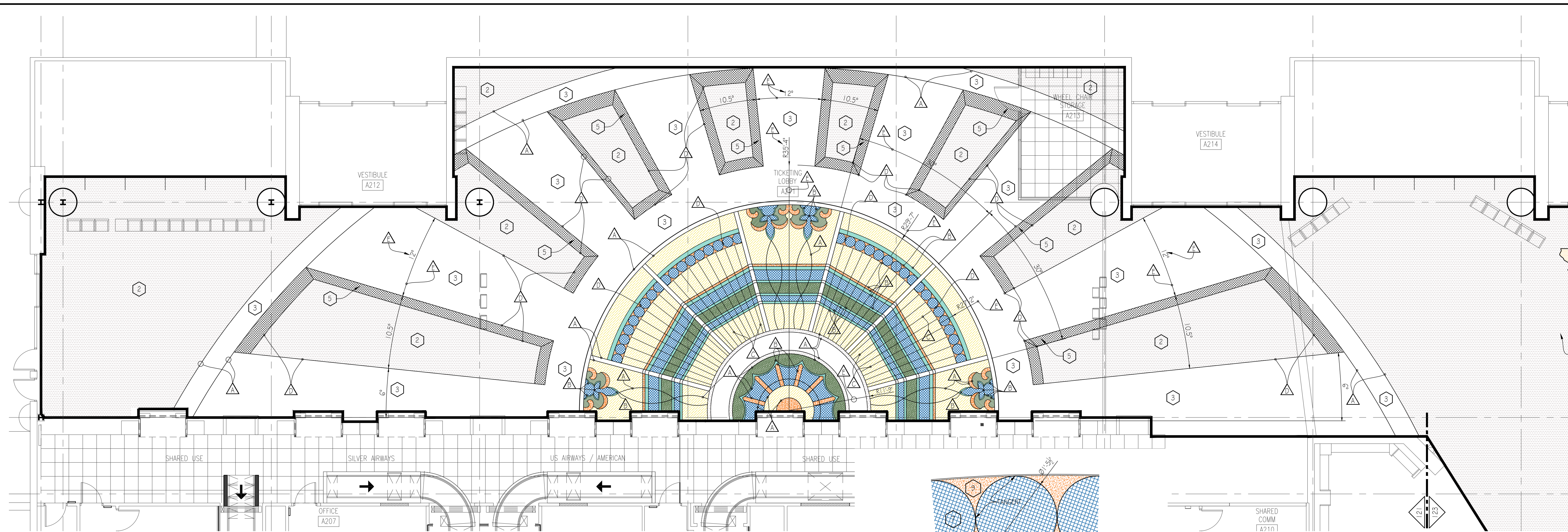
SHEET NUMBER

ADD-1 INT-120

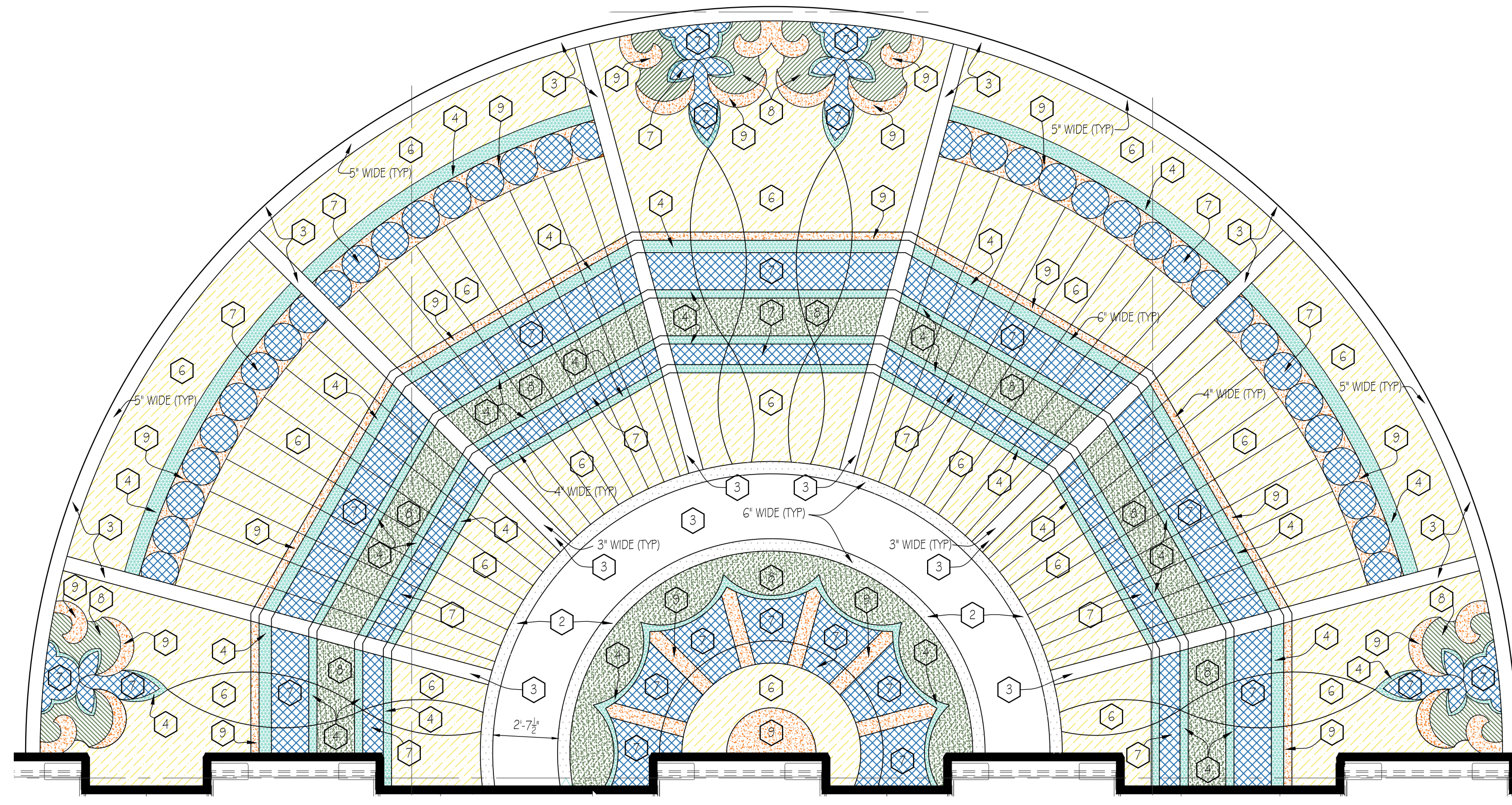
CONFORMED
 DOCUMENTS



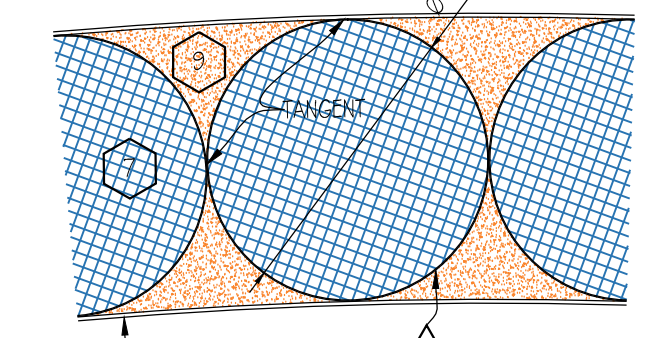
KEY PLAN



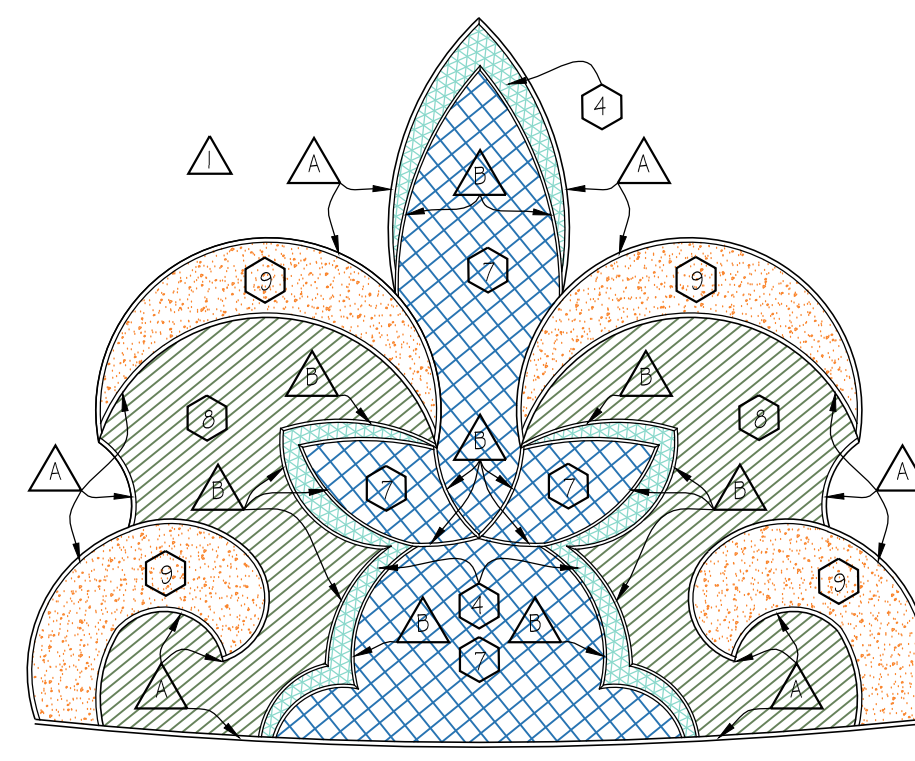
1 SECOND FLOOR PLAN AREA B
 A120 SCALE: 1/8" = 1'-0"



2 ENLARGED DOME TZO LAYOUT
 A120 SCALE: 1/4" = 1'-0"

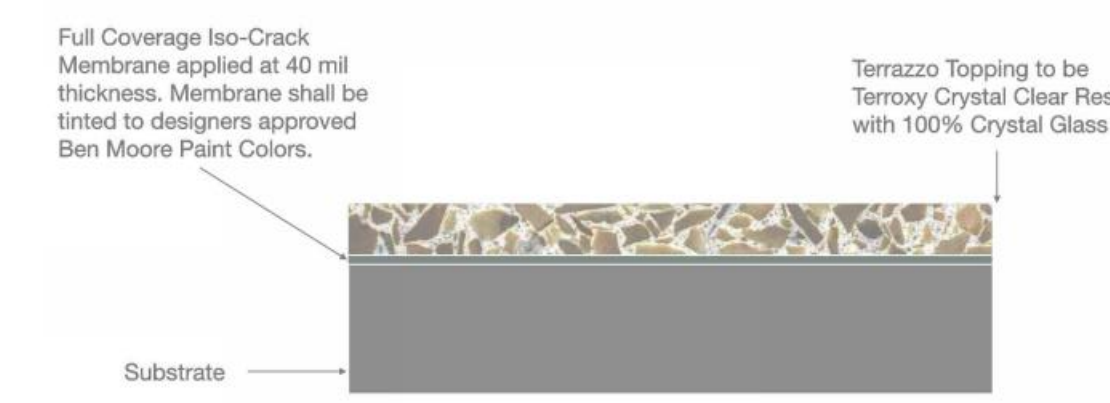


4 ENLARGED CIRCLES
 A120 SCALE: 1" = 1'-0"



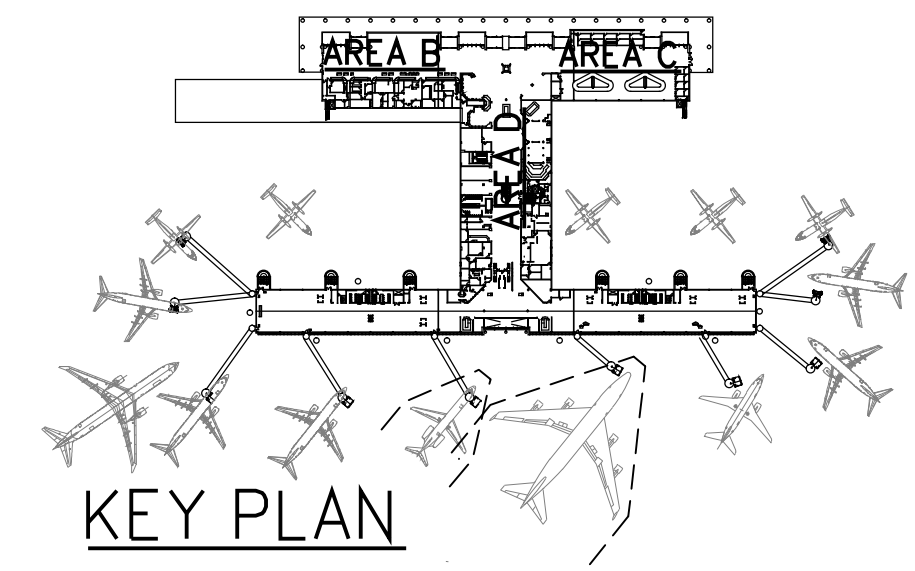
3 ENLARGED FLOTTES
 A120 SCALE: 3/4" = 1'-0"

Stained Glass Windows Terrazzo Detail



LEGEND	
○ T21	MAIN CONCOURSE - WHITE / COLORED GLASS
○ T22	DOVE GRAY (LIGHT)
○ T23	WHITE - FLAIN
○ T24	AGUA WINDOW
○ T25	SHADOW GRAY
○ T26	ALL YELLOW WINDOW - USE CLEAR EPOXY W/TINTED CRACK MEMBRANE SUBSTRATE
○ T27	BLUE WINDOW - USE CLEAR EPOXY
○ T28	TEAL GREEN WINDOW - USE CLEAR EPOXY
○ T29	LIME WINDOW
○ T210	BLACK, SEAL
○ T211	GOLD REGULAR, SEAL
○ T212	BRONZE
○ T213	SILVER
○ T214	GREEN-REGULAR, SEAL
○ T215	ORANGE, SEAL
○ T216	BLUE-REGULAR, SEAL
○ T217	RED, SEAL
TZ BASE	FLOOR BOARDS 'TZ 2' THROUGHOUT
△ STRIP A	ALUM 3/8" X 3/8"
△ STRIP B	ALUM 3/8" X 1/4"
△ STRIP C	ALUM 3/8" X 1/8"
△ STRIP D	ALUM 3/8" X 1/6 GAUGE
△ STRIP E	BRASS 3/8" X 1/4"
△ STRIP F	BRASS 3/8" X 1/8"
△ STRIP G	ZINC 3/8" X 1/6 GAUGE

NOTE: PRINTED COLORS ARE NOT REPRESENTATIVE OF INSTALLED PRODUCT. (SEE PHYSICAL CONTROL SAMPLES)



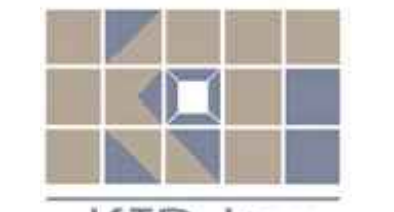
10748 Deerewood Park Blvd South
 Jacksonville, Florida 32256
 904-256-2500 FAX 904-256-2502
 www.rsandh.com
 FL Lic# 1888 - EB005620 - LC000020



TALLAHASSEE, FLORIDA

TALLAHASSEE REGIONAL AIRPORT

TALLAHASSEE, FLORIDA



KTD Inc.
Design
 KELLY TAAFFE DESIGN

Lic# ID 0002289
 FL# 13 0001146
 Kelly@kellytaaffedesign.com
 Tel.: 813.695.5049
 Fax: 813.805.2371

IN-LINE EDS
 BAGGAGE
 HANDLING SYSTEM
 AND
 TERMINAL REHAB.

REVISIONS

NO.	DESCRIPTION	DATE
1	CONFORMED	3/28/15

DATE ISSUED: FEBRUARY 13, 2015

REVIEWED BY:

DRAWN BY:

DESIGNED BY:

AEP PROJECT NUMBER
 201-2494-000

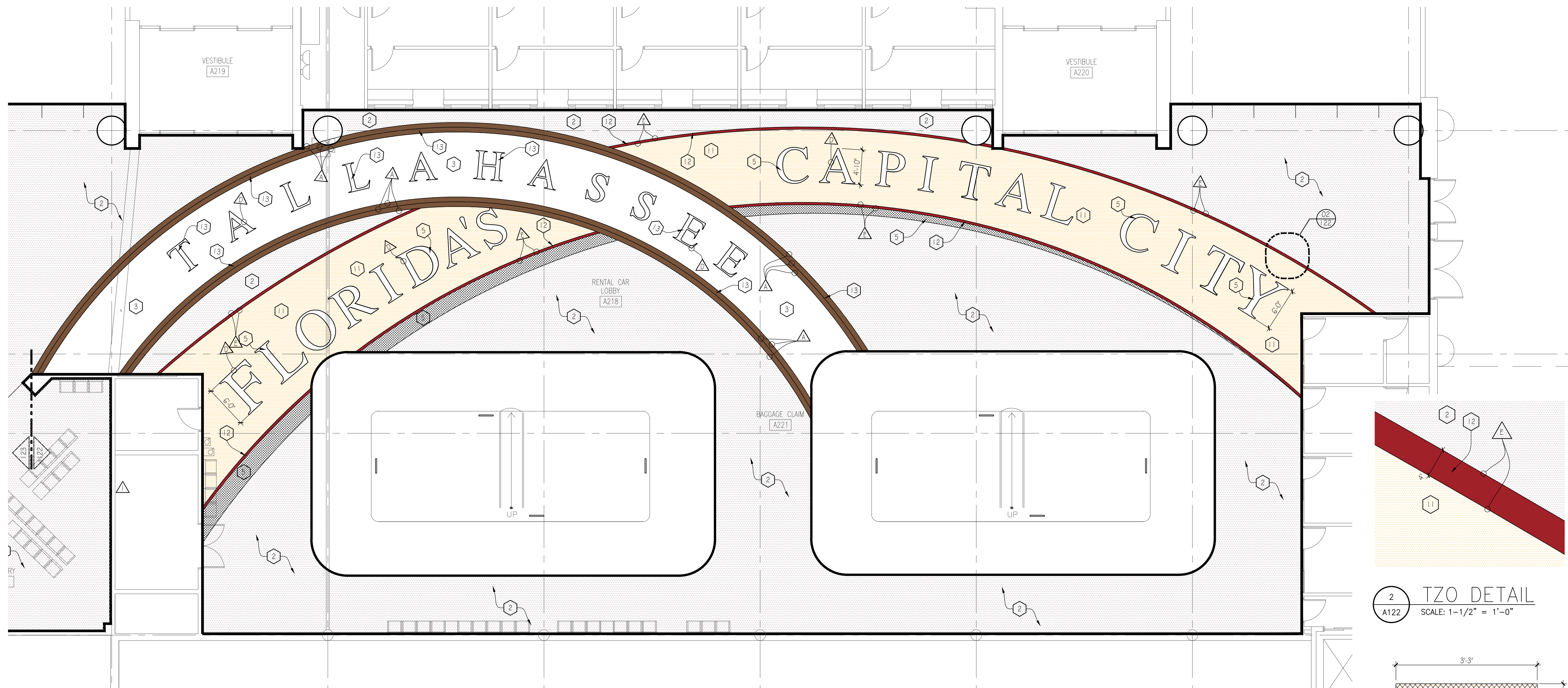
© 2014 RS&H, INC.

SHEET TITLE
**SECOND FLOOR
 PLAN AREA B
 FLOOR FINISHES**

SHEET NUMBER

ADD-1 INT-121

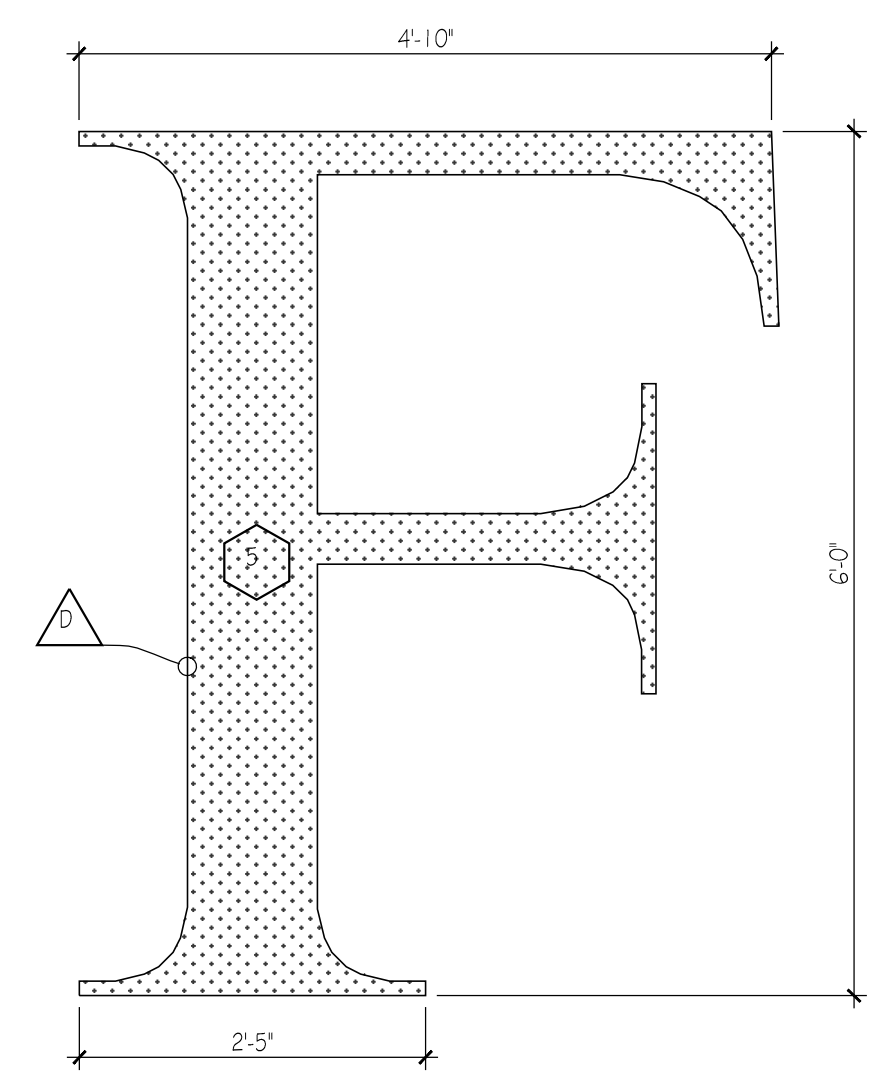
CONFORMED
 DOCUMENTS



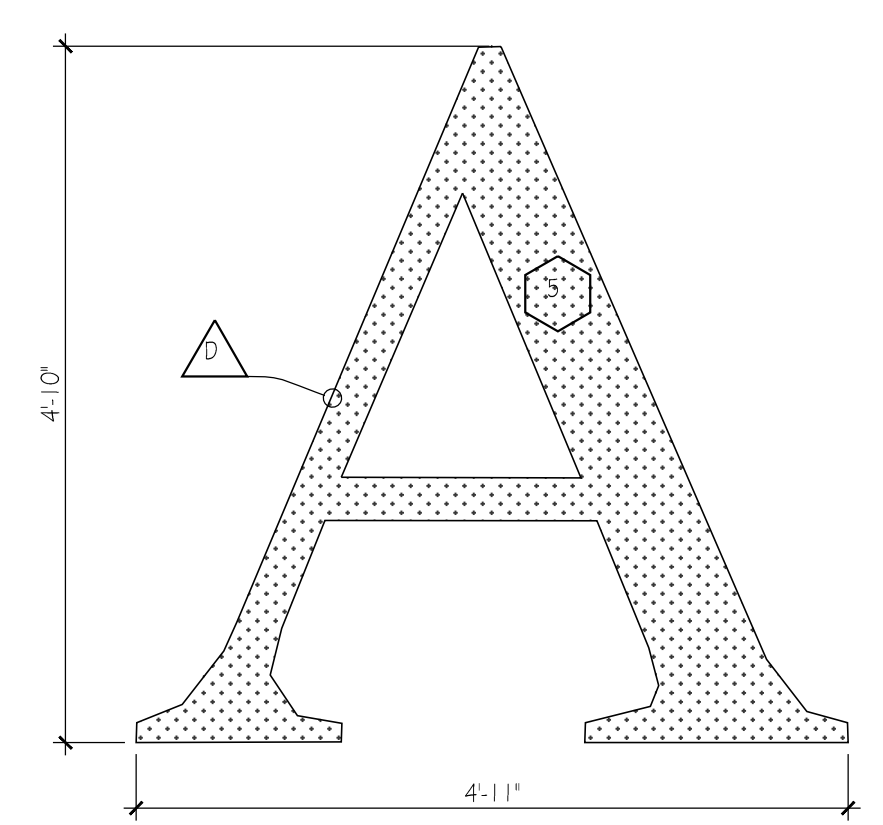
1 SECOND FLOOR PLAN AREA C
SCALE: 1/8" = 1'-0"

LEGEND	
○ T21	MAIN CONCOURSE - WHITE / COLORED GLASS
○ T22	DOVE GRAY (LIGHT)
○ T23	WHITE - PLAIN
○ T24	AGUA WINDOW
○ T25	SHADOW GRAY
○ T26	ALL YELLOW WINDOW - USE CLEAR EPOXY W/TINTED CRACK MEMBRANE SUBSTRATE
○ T27	BLUE WINDOW - USE CLEAR EPOXY
○ T28	TEAL GREEN WINDOW - USE CLEAR EPOXY
○ T29	LIME WINDOW
○ T210	BLACK, SEAL
○ T211	GOLD REGULAR, SEAL
○ T212	BRONZE
○ T213	SILVER
○ T214	GREEN-REGULAR, SEAL
○ T215	ORANGE, SEAL
○ T216	BLUE-REGULAR, SEAL
○ T217	RED, SEAL
TZ BASE	FLOOR BOARDS 'TZ 2" THROUGHOUT
△ STRIP A	ALUM 3/8" X 3/8"
△ STRIP B	ALUM 3/8" X 1/4"
△ STRIP C	ALUM 3/8" X 1/8"
△ STRIP D	ALUM 3/8" X 1/6" GUAGE
△ STRIP E	BRASS 3/8" X 1/4"
△ STRIP F	BRASS 3/8" X 1/8"
△ STRIP G	ZINC 3/8" X 1/6" GUAGE

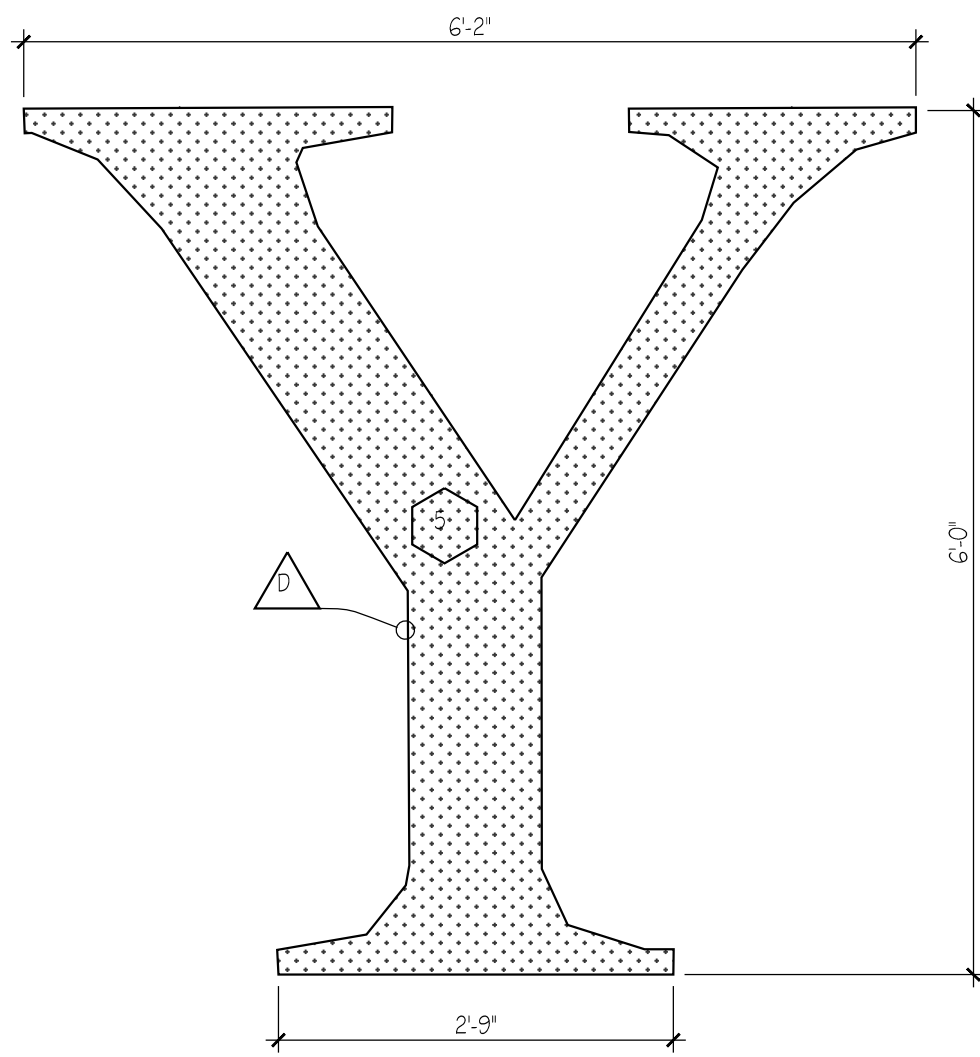
NOTE: PRINTED COLORS ARE NOT REPRESENTATIVE OF INSTALLED PRODUCT. (SEE PHYSICAL CONTROL SAMPLES)



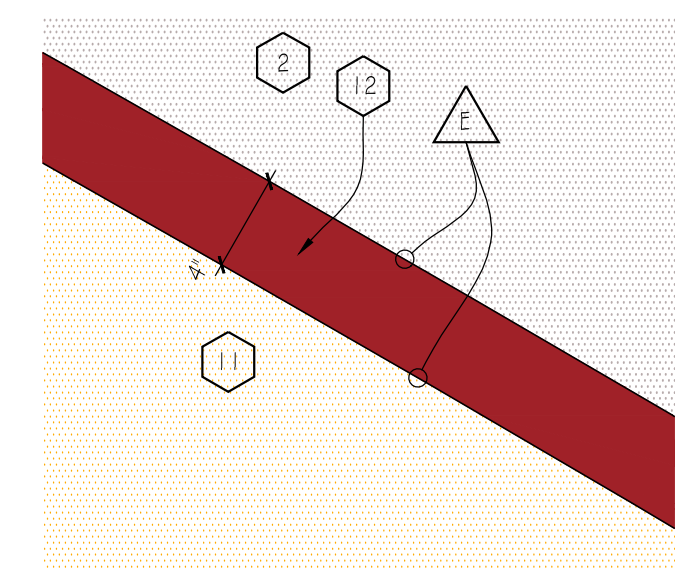
4 TZO FONT - FLORIDA
SCALE: 3/4" = 1'-0" (LARGEST FONT)



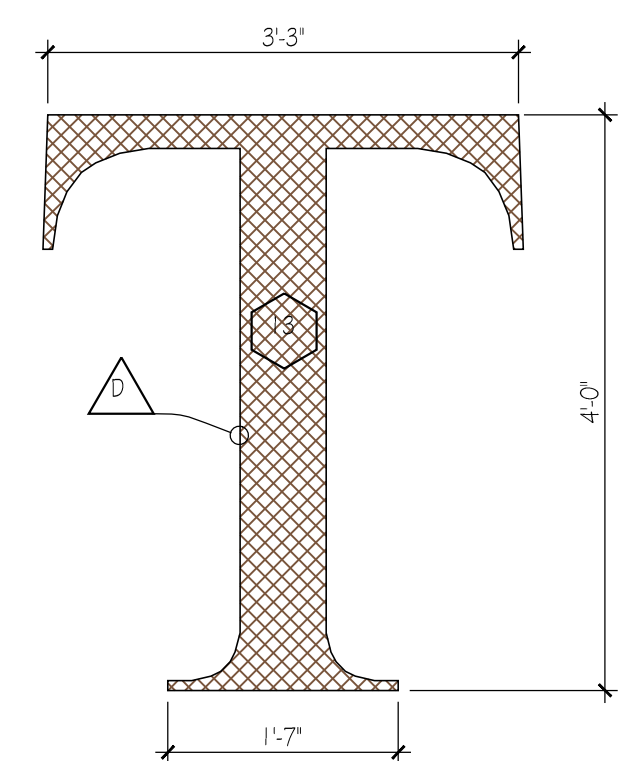
5 TZO FONT - FLORIDA
SCALE: 3/4" = 1'-0" (SMALLEST FONT)



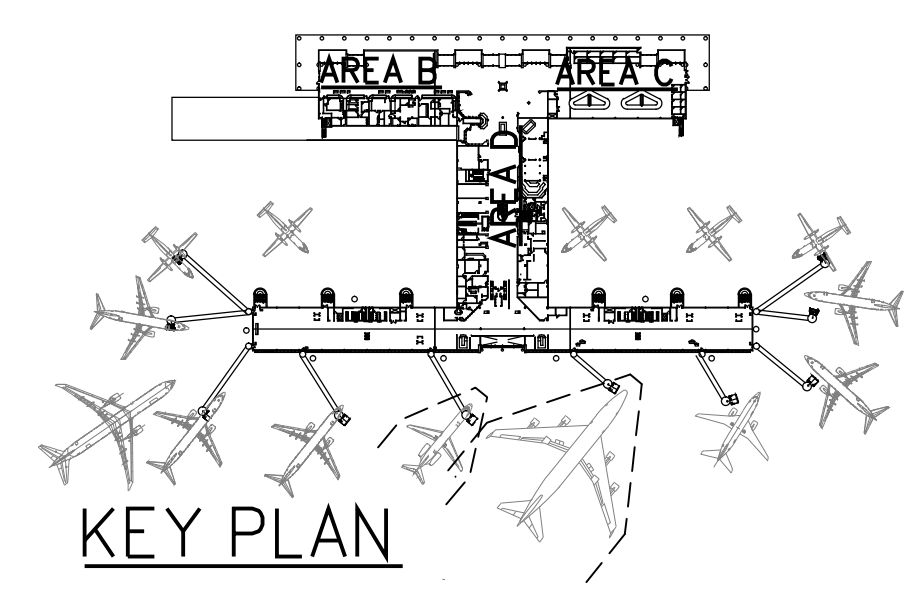
6 TZO FONT - FLORIDA
SCALE: 3/4" = 1'-0" (LARGEST FONT)



2 TZO DETAIL
SCALE: 1-1/2" = 1'-0"



3 TZO FONT - TALLAHASSEE
SCALE: 3/4" = 1'-0" (ALL FONTS SAME SIZE)



KEY PLAN

RS&H
10748 Deerwood Park Blvd South
Jacksonville, Florida 32256
904-256-2500 FAX 904-256-2502
www.rsandh.com
FL Lic. No. AK001886 - EB005620 - LC000210

TALLAHASSEE
REGIONAL AIRPORT
TALLAHASSEE, FLORIDA

TALLAHASSEE
REGIONAL AIRPORT
TALLAHASSEE, FLORIDA

KTD Inc.
Design
KELLY TAAFFE DESIGN

Lic# ID 0002289
FL# 13 0001146
Tel.: 813.695.5049
Fax: 813.805.2371

IN-LINE EDS
BAGGAGE
HANDLING SYSTEM
AND
TERMINAL REHAB.

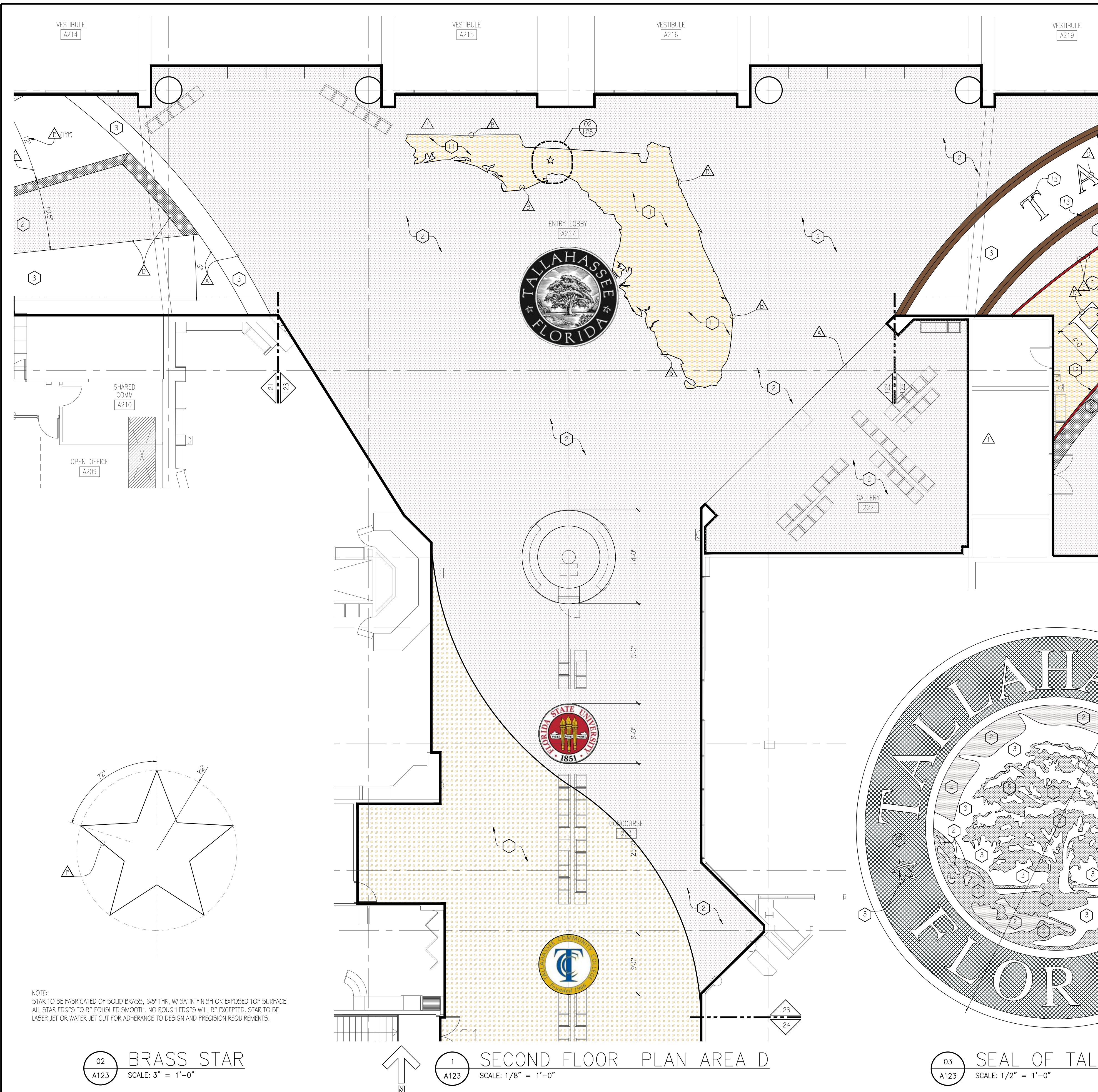
REVISIONS		
NO.	DESCRIPTION	DATE
1	CONFORMED	8/28/15

DATE ISSUED: FEBRUARY 13, 2015
REVIEWED BY:
DRAWN BY:
DESIGNED BY:
AEP PROJECT NUMBER
201-2494-000
© 2014 RS&H, INC.
SHEET TITLE

SECOND FLOOR
PLAN AREA C
FLOOR FINISHES

SHEET NUMBER
ADD-1 INT-122

CONFORMED
DOCUMENTS



LEGEND

○ TZ1	MAIN CONCOURSE - WHITE / COURED GLASS
○ TZ2	DOVE GRAY (LIGHT)
○ TZ3	WHITE - PLAIN
○ TZ4	AGUA WINDOW
○ TZ5	SHADOW GRAY
○ TZ6	ALL YELLOW WINDOW - USE CLEAR EPOXY W/TINTED CRACK MEMBRANE SUBSTRATE
○ TZ7	BLUE WINDOW - USE CLEAR EPOXY
○ TZ8	TEAL GREEN WINDOW - USE CLEAR EPOXY
○ TZ9	LIME WINDOW
○ TZ10	BLACK, SEAL
○ TZ11	GOLD REGULAR, SEAL
○ TZ12	BRONZE
○ TZ13	SILVER
○ TZ14	GREEN-REGULAR, SEAL
○ TZ15	ORANGE, SEAL
○ TZ16	BLUE-REGULAR, SEAL
○ TZ17	RED, SEAL
TZ BASE	FLOOR BOARDS 'TZ 2" THROUGHOUT
△ STRIP A	ALUM 3/8" X 3/8"
△ STRIP B	ALUM 3/8" X 1/4"
△ STRIP C	ALUM 3/8" X 1/8"
△ STRIP D	ALUM 3/8" X 1/6" GUAGE
△ STRIP E	BRASS 3/8" X 1/4"
△ STRIP F	BRASS 3/8" X 1/8"
△ STRIP G	ZINC 3/8" X 1/6" GUAGE

NOTE: PRINTED COLORS ARE NOT REPRESENTATIVE OF INSTALLED PRODUCT. (SEE PHYSICAL CONTROL SAMPLES)

RS&H

10748 Deerwood Park Blvd South
Jacksonville, Florida 32256
904-256-2500 FAX 904-256-2502
www.rsandh.com
FL Lic. No. AK001886 - EB005620 - LC000210

TALLAHASSEE REGIONAL AIRPORT
TALLAHASSEE, FLORIDA

TALLAHASSEE REGIONAL AIRPORT
TALLAHASSEE, FLORIDA

KTD Inc.
Design
KELLY TAAFFE DESIGN

Lic# ID 0002289
FL# 13 0001146
Kelly@kellytaaffedesign.com
Tel.: 813.695.5049
Fax: 813.805.2371

IN-LINE EDS
BAGGAGE
HANDLING SYSTEM
AND
TERMINAL REHAB.

REVISIONS

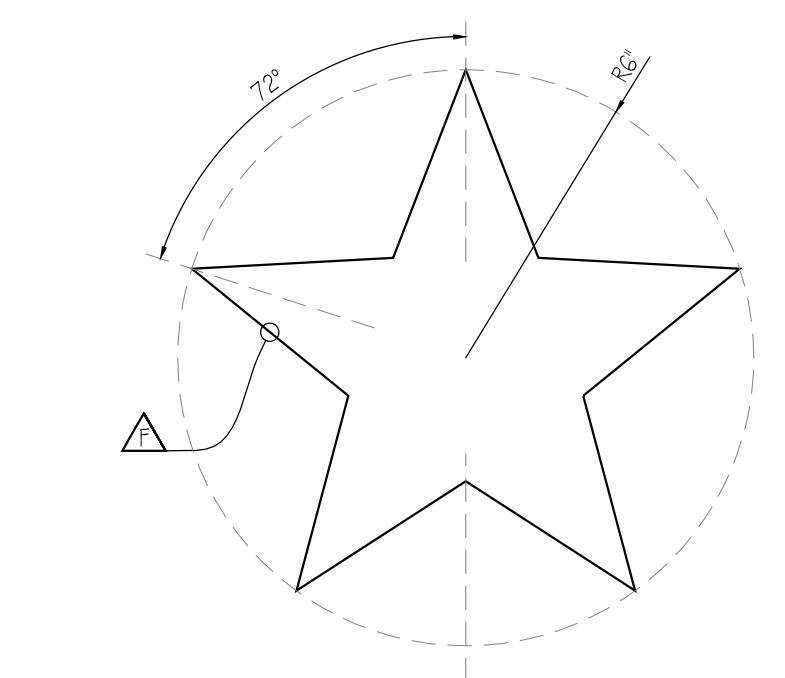
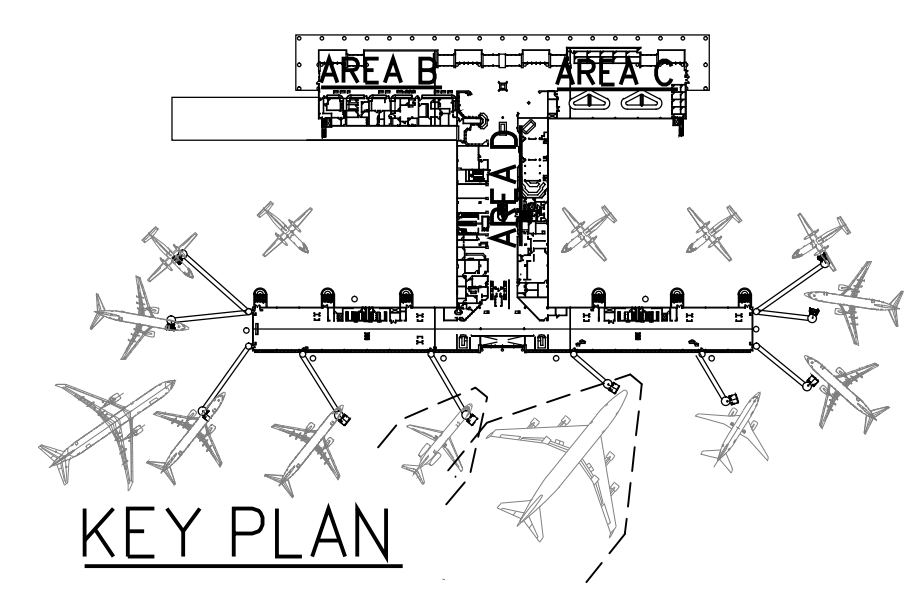
NO.	DESCRIPTION	DATE
1	CONFORMED	3/28/15

DATE ISSUED: FEBRUARY 13, 2015
REVIEWED BY:
DRAWN BY:
DESIGNED BY:
AEP PROJECT NUMBER
201-2494-000
© 2014 RS&H, INC.
SHEET TITLE

SECOND FLOOR
PLAN AREA D
FLOOR FINISHES

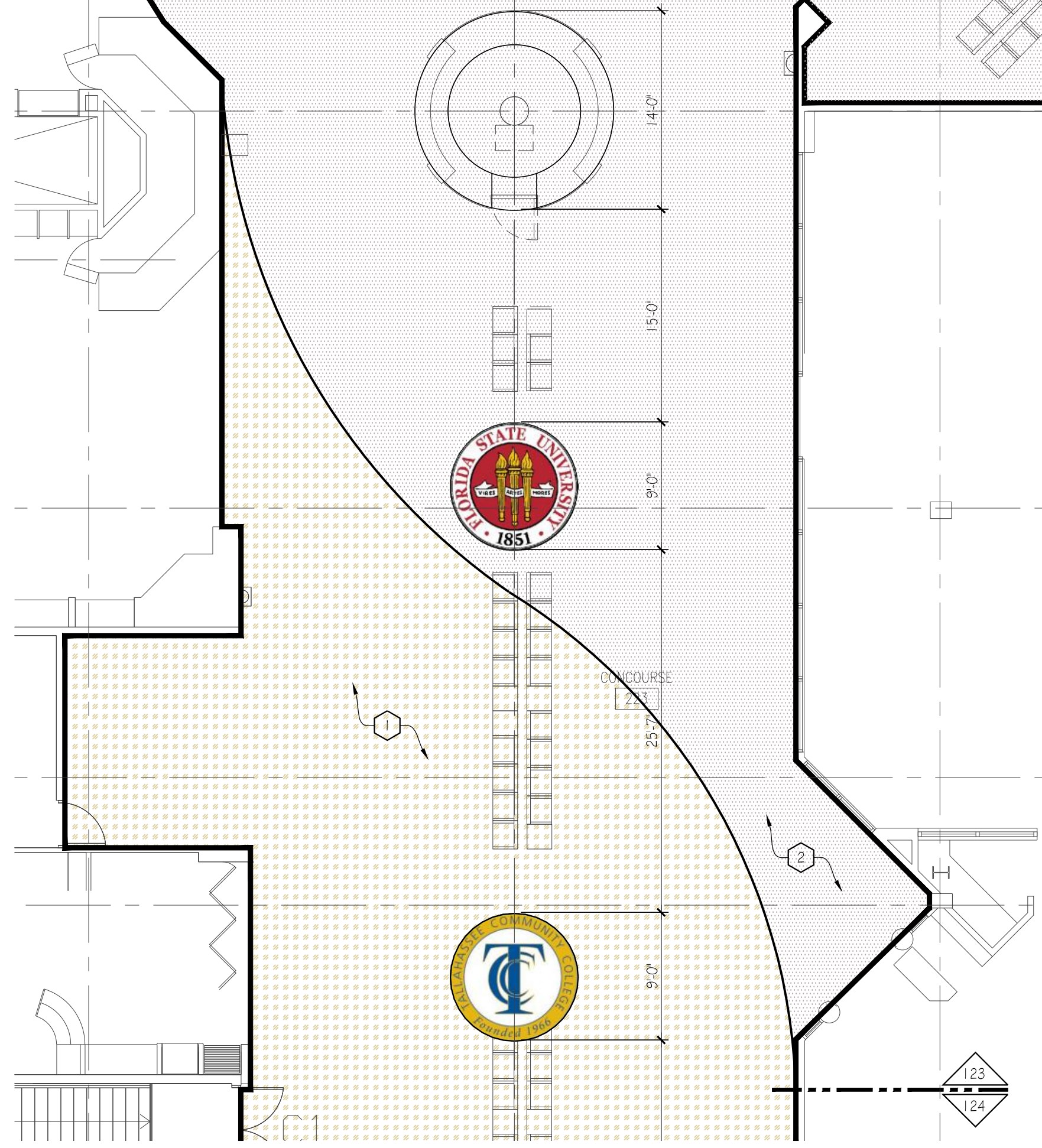
SHEET NUMBER
ADD-1 INT-123

CONFORMED
DOCUMENTS



NOTE:
STAR TO BE FABRICATED OF SOLID BRASS, 3/8" THK, W SATIN FINISH ON EXPOSED TOP SURFACE.
ALL STAR EDGES TO BE POLISHED SMOOTH. NO ROUGH EDGES WILL BE EXCEPTED. STAR TO BE
LASER JET OR WATER JET CUT FOR ADHERANCE TO DESIGN AND PRECISION REQUIREMENTS.

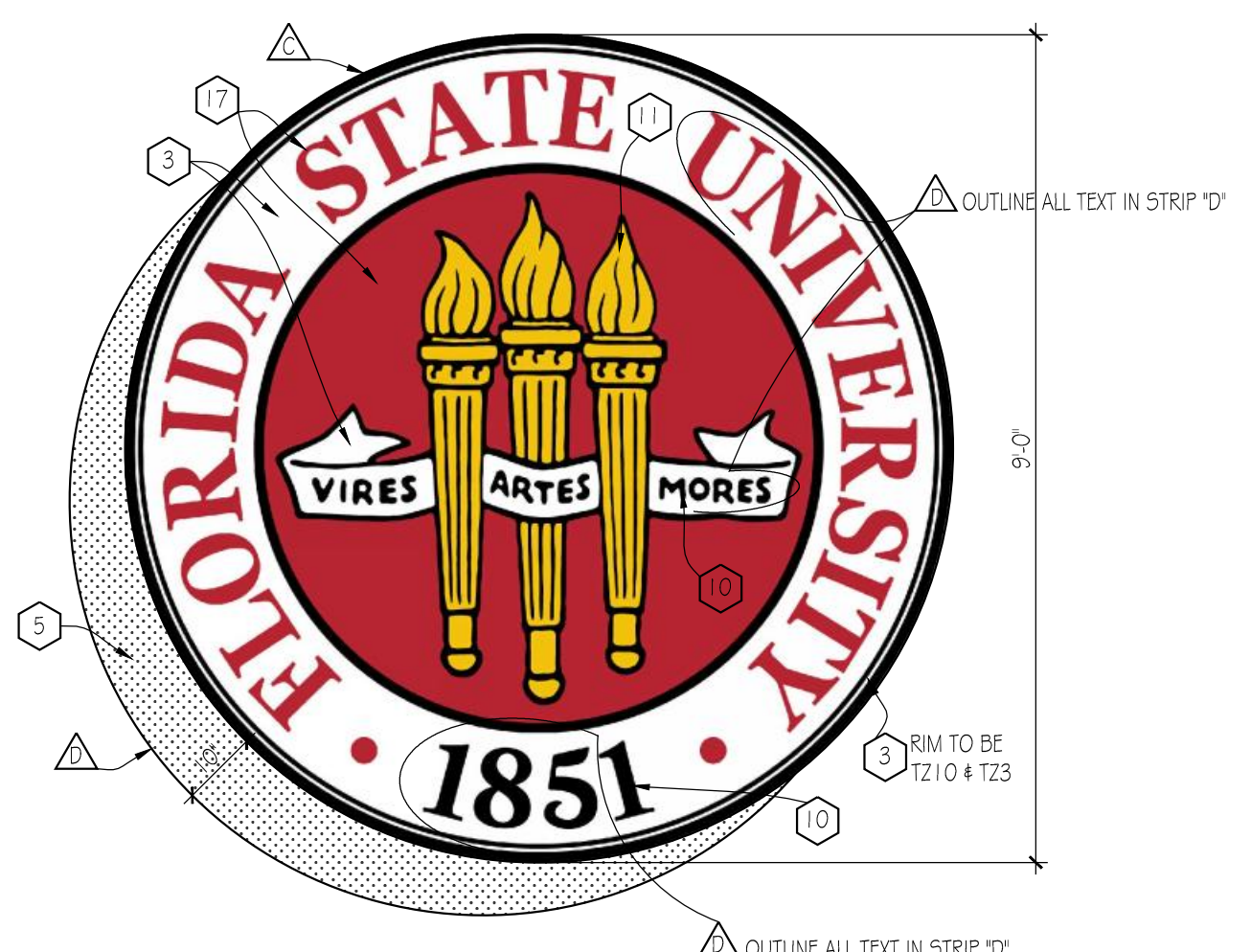
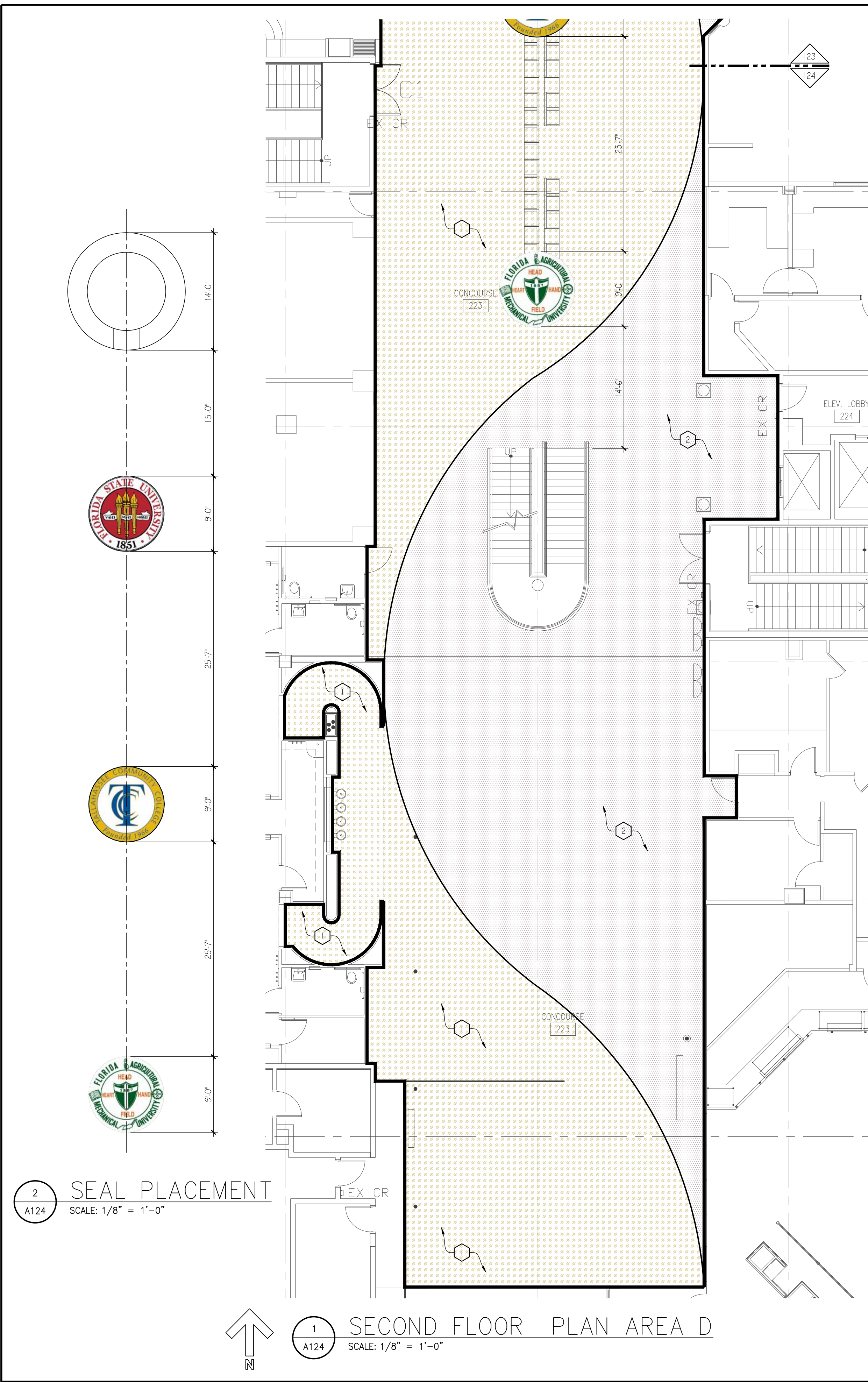
02
A123 BRASS STAR
SCALE: 3" = 1'-0"



01
A123 SECOND FLOOR PLAN AREA D
SCALE: 1/8" = 1'-0"

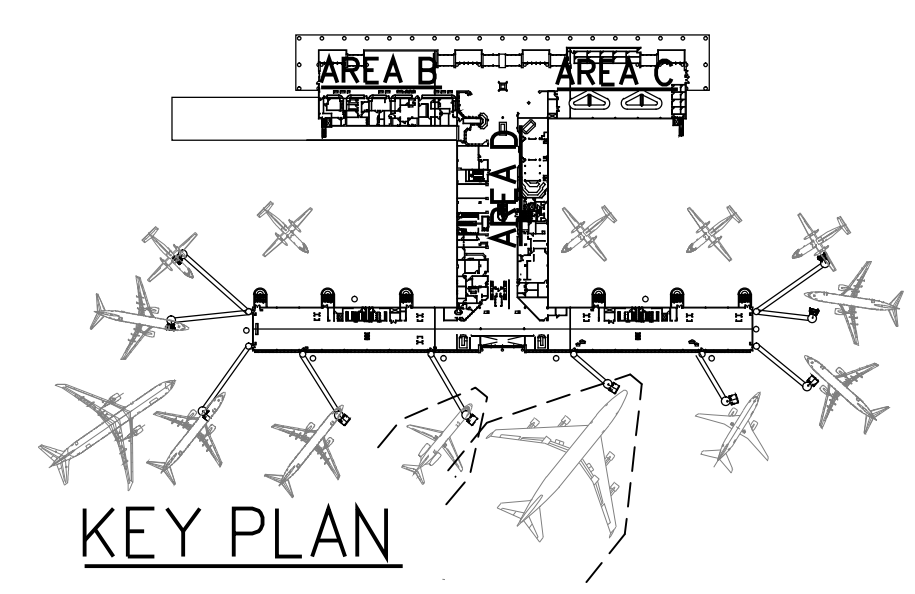


03
A123 SEAL OF TALLAHASSEE - DTL
SCALE: 1/2" = 1'-0"



LEGEND	
○ TZ1	MAIN CONCOURSE - WHITE / COURED GLASS
○ TZ2	DOVE GRAY (LIGHT)
○ TZ3	WHITE - PLAIN
○ TZ4	AGUA WINDOW
○ TZ5	SHADOW GRAY
○ TZ6	ALL YELLOW WINDOW - USE CLEAR EPOXY W/TINTED CRACK MEMBRANE SUBSTRATE
○ TZ7	BLUE WINDOW - USE CLEAR EPOXY
○ TZ8	TEAL GREEN WINDOW - USE CLEAR EPOXY
○ TZ9	LIME WINDOW
○ TZ10	BLACK, SEAL
○ TZ11	GOLD REGULAR, SEAL
○ TZ12	BRONZE
○ TZ13	SILVER
○ TZ14	GREEN-REGULAR, SEAL
○ TZ15	ORANGE, SEAL
○ TZ16	BLUE-REGULAR, SEAL
○ TZ17	RED, SEAL
TZ BASE	FLOOR BOARDS "TZ 2" THROUGHOUT
△ STRIP A	ALUM 3/8" X 3/8"
△ STRIP B	ALUM 3/8" X 1/4"
△ STRIP C	ALUM 3/8" X 1/8"
△ STRIP D	ALUM 3/8" X 1/6 GAUGE
△ STRIP E	BRASS 3/8" X 1/4"
△ STRIP F	BRASS 3/8" X 1/8"
△ STRIP G	ZINC 3/8" X 1/6 GAUGE

NOTE: PRINTED COLORS ARE NOT REPRESENTATIVE OF INSTALLED PRODUCT. (SEE PHYSICAL CONTROL SAMPLES)



RS&H

10748 Deerwood Park Blvd South
Jacksonville, Florida 32256
904-256-2500 FAX 904-256-2502
www.rsandh.com
FL Cert. No. AK001886 - EB005620 - LC000210

TALLAHASSEE REGIONAL AIRPORT
TALLAHASSEE, FLORIDA

TALLAHASSEE REGIONAL AIRPORT
TALLAHASSEE, FLORIDA

KTD Inc.
Design
KELLY TAAFFE DESIGN

Lic# ID 0002289
FL# 13 0001146
Kelly@kellytaaffedesign.com
Tel.: 813.695.5049
Fax: 813.805.2371

IN-LINE EDS
BAGGAGE
HANDLING SYSTEM
AND
TERMINAL REHAB.

REVISIONS		
NO.	DESCRIPTION	DATE
1	CONFORMED	8/28/15

DATE ISSUED: FEBRUARY 13, 2015
REVIEWED BY:
DRAWN BY:
DESIGNED BY:

AEP PROJECT NUMBER
201-2494-000
© 2014 RS&H, INC.
SHEET TITLE

SECOND FLOOR
PLAN AREA D
FLOOR FINISHES

SHEET NUMBER
ADD-1 INT-124

CONFORMED
DOCUMENTS