



TALLAHASSEE REGIONAL AIRPORT TERMINAL REHAB



Reynolds, Smith and Hills, Inc.

Jacksonville, Florida 32256
904-256-2500 FAX 904-256-2502
FL.Cert.Nos. AAC001886 EB0005620 LCC000210

PROJECT

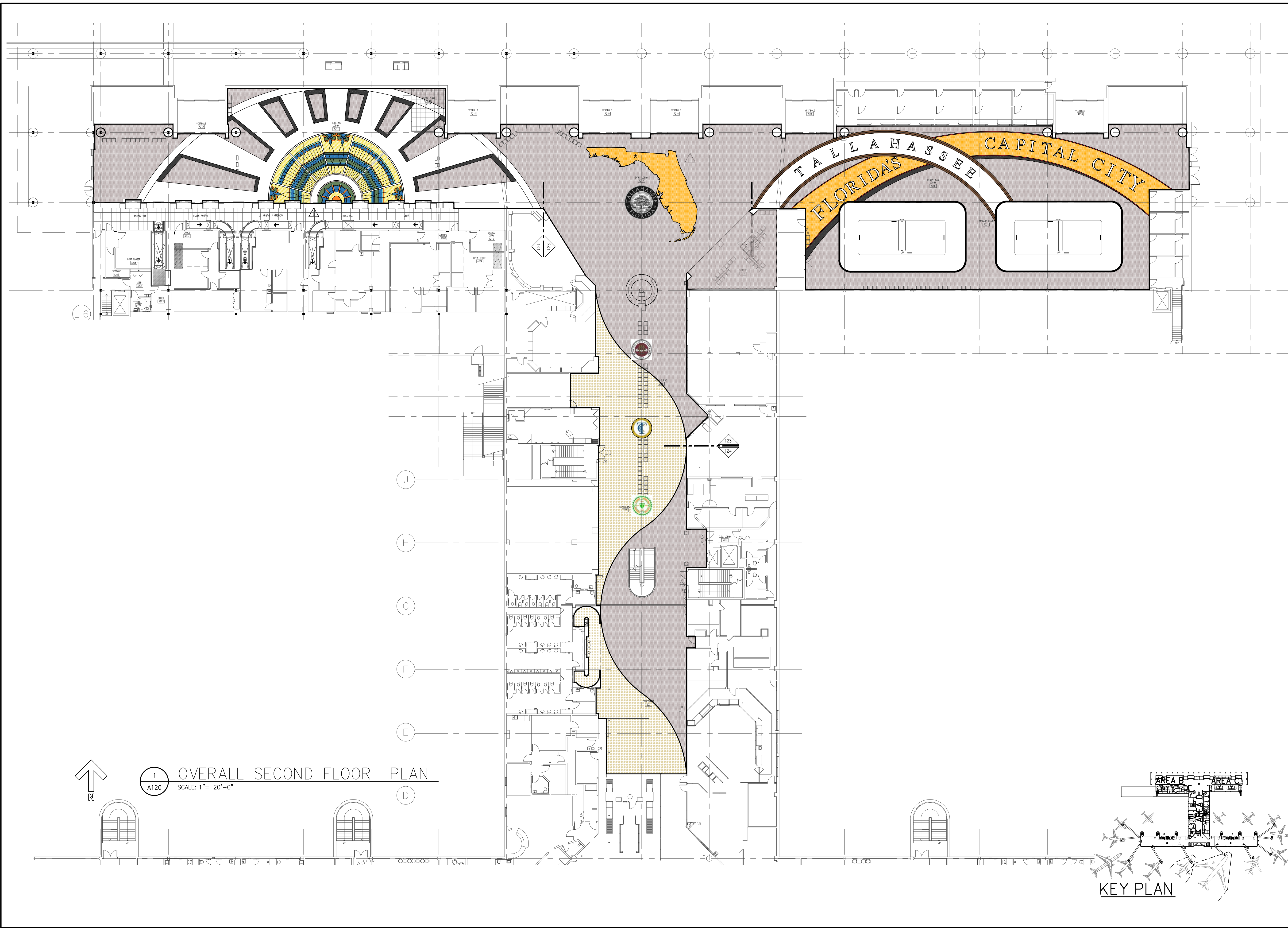
TERRAZZO FLOOR FINISHES
100% DESIGN SUBMITTAL



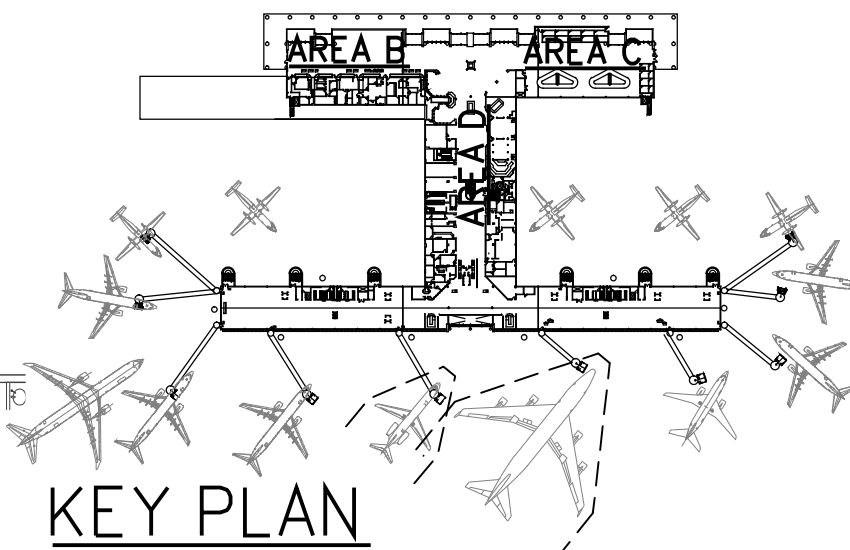
Lic# ID 0002289
FL# 13 0001146
Kelly@kellytaaffedesign.com
Tel.: 813.695.5049
Fax: 813.805.2371

DRAWING INDEX

- | | | | |
|--------------|-----------|---------------------------|--------------|
| • TLHINT-120 | FLOORPLAN | TZO-IN CONTRACT WORK AREA | 1" = 20' |
| • TLHINT-121 | FLOORPLAN | TZO-AREA B | 1/8" = 1'-0" |
| • TLHINT-122 | FLOORPLAN | TZO-AREA C | 1/8" = 1'-0" |
| • TLHINT-123 | FLOORPLAN | TZO-AREA D - PARTIAL | 1/8" = 1'-0" |
| • TLHINT-124 | FLOORPLAN | TZO-AREA D - PARTIAL | 1/8" = 1'-0" |



1 OVERALL SECOND FLOOR PLAN
 A120 SCALE: 1"= 20'-0"



KEY PLAN



10748 Deerwood Park Blvd South
 Jacksonville, Florida 32256
 904-256-2500 FAX 904-256-2502
 www.rsandh.com
 FL Lic# 1888 - E0005620 - LCC000210



TALLAHASSEE, FLORIDA

TALLAHASSEE REGIONAL AIRPORT

TALLAHASSEE, FLORIDA



KTD Inc.
Design
 KELLY TAAFFE DESIGN

Lic# ID 0002289
 FL# 13 0001146
 Kelly@kellytaaffedesign.com
 Tel.: 813.695.5049
 Fax: 813.805.2371

IN-LINE EDS
 BAGGAGE
 HANDLING SYSTEM
 AND
 TERMINAL REHAB.

REVISIONS		
NO.	DESCRIPTION	DATE
1	CONFORMED	8/28/15
2	RFP-001	11/08/15

DATE ISSUED: FEBRUARY 13, 2015
 REVIEWED BY:
 DRAWN BY:
 DESIGNED BY:

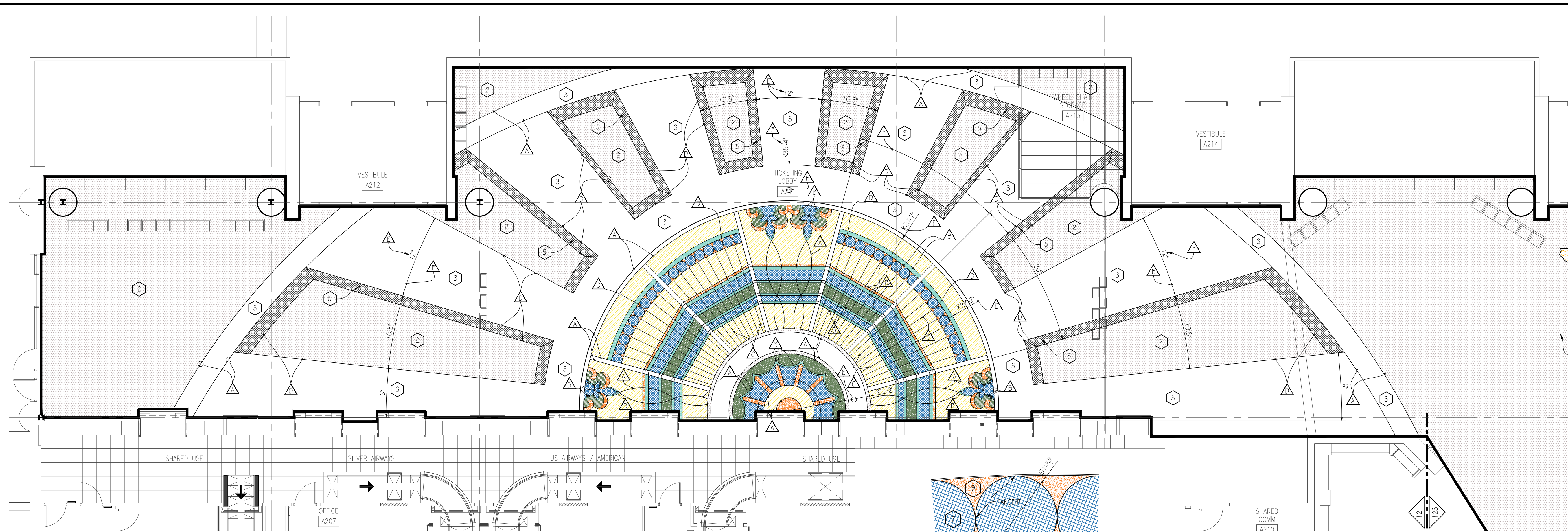
AEP PROJECT NUMBER
 201-2494-000
 © 2014 RS&H, INC.

SHEET TITLE
**OVERALL
 SECOND FLOOR
 TZO- LAYOUT
 FLOOR FINISHES**

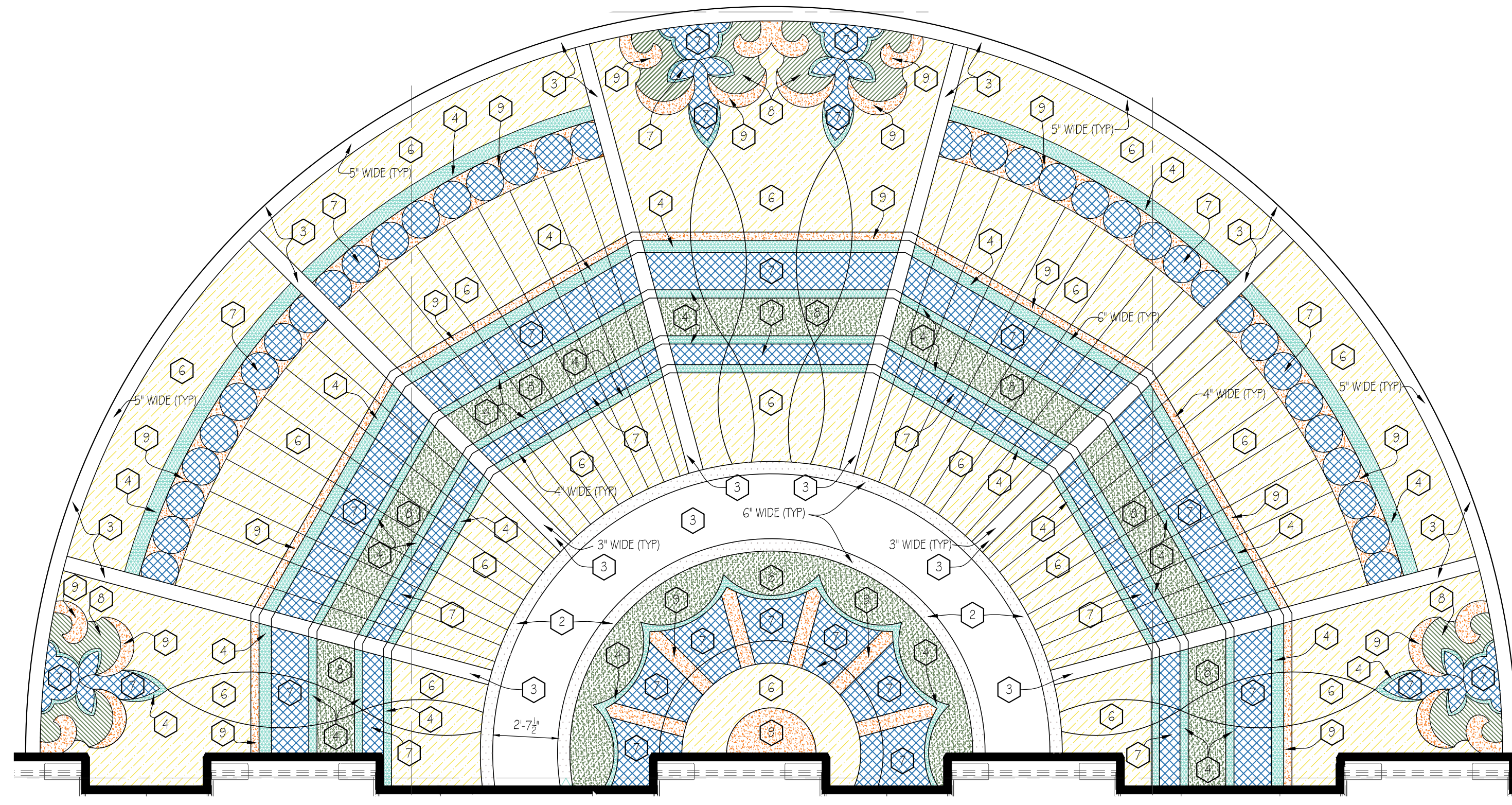
SHEET NUMBER

ADD-1 INT-120

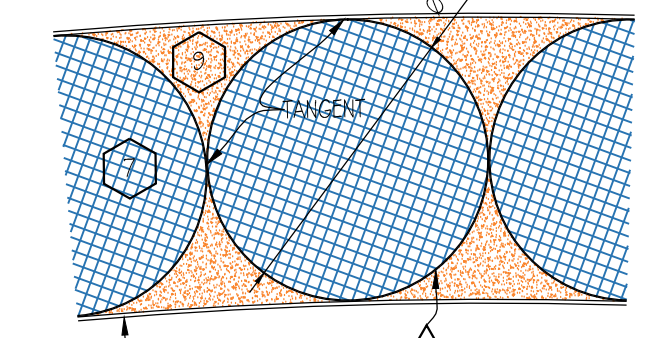
CONFORMED
 DOCUMENTS



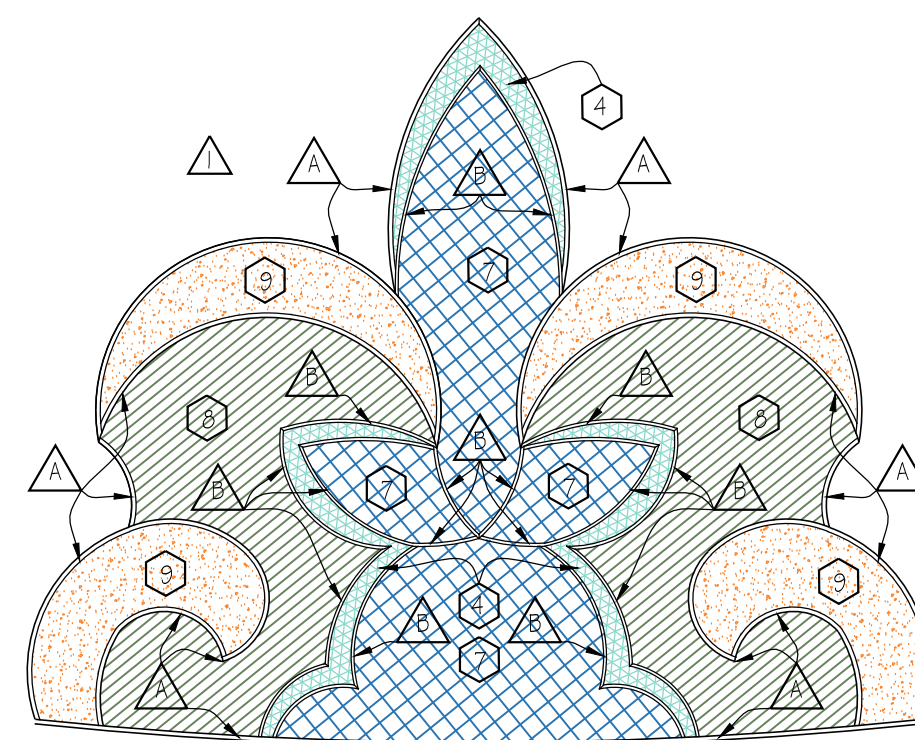
1 SECOND FLOOR PLAN AREA B
 A120 SCALE: 1/8" = 1'-0"



2 ENLARGED DOME TZO LAYOUT
 A120 SCALE: 1/4" = 1'-0"

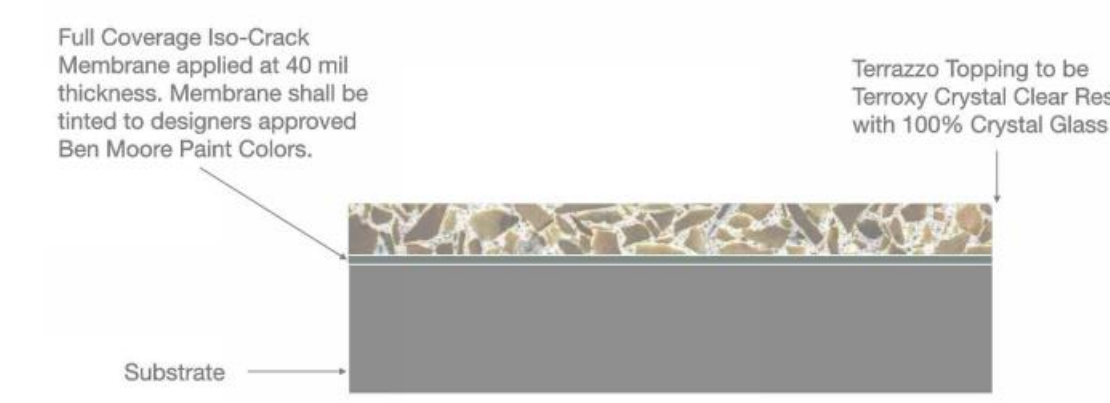


4 ENLARGED CIRCLES
 A120 SCALE: 1" = 1'-0"



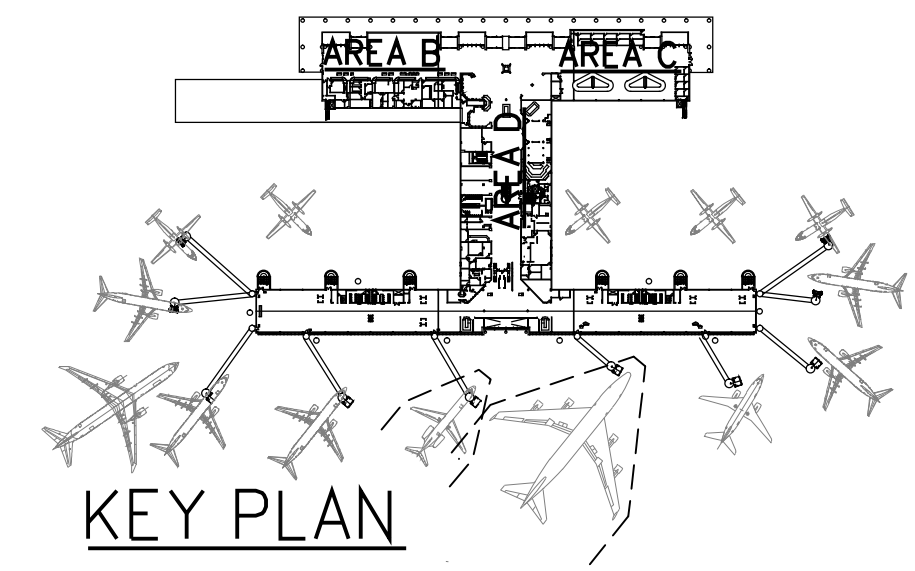
3 ENLARGED FLOTTETS
 A120 SCALE: 3/4" = 1'-0"

Stained Glass Windows Terrazzo Detail



LEGEND	
○ T21	MAIN CONCOURSE - WHITE / COLORED GLASS
○ T22	DOVE GRAY (LIGHT)
○ T23	WHITE - FLAIN
○ T24	AGUA WINDOW
○ T25	SHADOW GRAY
○ T26	ALL YELLOW WINDOW - USE CLEAR EPOXY W/TINTED CRACK MEMBRANE SUBSTRATE
○ T27	BLUE WINDOW - USE CLEAR EPOXY
○ T28	TEAL GREEN WINDOW - USE CLEAR EPOXY
○ T29	LIME WINDOW
○ T210	BLACK, SEAL
○ T211	GOLD REGULAR, SEAL
○ T212	BRONZE
○ T213	SILVER
○ T214	GREEN-REGULAR, SEAL
○ T215	ORANGE, SEAL
○ T216	BLUE-REGULAR, SEAL
○ T217	RED, SEAL
TZ BASE	FLOOR BOARDS 'TZ 2' THROUGHOUT
△ STRIP A	ALUM 3/8" X 3/8"
△ STRIP B	ALUM 3/8" X 1/4"
△ STRIP C	ALUM 3/8" X 1/8"
△ STRIP D	ALUM 3/8" X 1/6 GAUGE
△ STRIP E	BRASS 3/8" X 1/4"
△ STRIP F	BRASS 3/8" X 1/8"
△ STRIP G	ZINC 3/8" X 1/6 GAUGE

NOTE: PRINTED COLORS ARE NOT REPRESENTATIVE OF INSTALLED PRODUCT. (SEE PHYSICAL CONTROL SAMPLES)



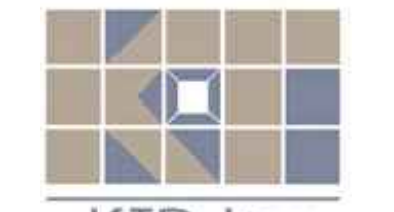
10748 Deerewood Park Blvd South
 Jacksonville, Florida 32256
 904-256-2500 FAX 904-256-2502
 www.rsandh.com
 FL Lic# 0001888 • EB005620 • LCC000210



TALLAHASSEE, FLORIDA

TALLAHASSEE REGIONAL AIRPORT

TALLAHASSEE, FLORIDA



KTD Inc.
 Design
 KELLY TAAFFE DESIGN

Lic# ID 0002289
 FL# 13 0001146
 Kelly@kellytaaffedesign.com
 Tel.: 813.695.5049
 Fax: 813.805.2371

IN-LINE EDS
 BAGGAGE
 HANDLING SYSTEM
 AND
 TERMINAL REHAB.

REVISIONS

NO.	DESCRIPTION	DATE
1	CONFORMED	8/28/15
2	RFP-001	11/08/15

DATE ISSUED: FEBRUARY 13, 2015

REVIEWED BY:
 DRAWN BY:
 DESIGNED BY:

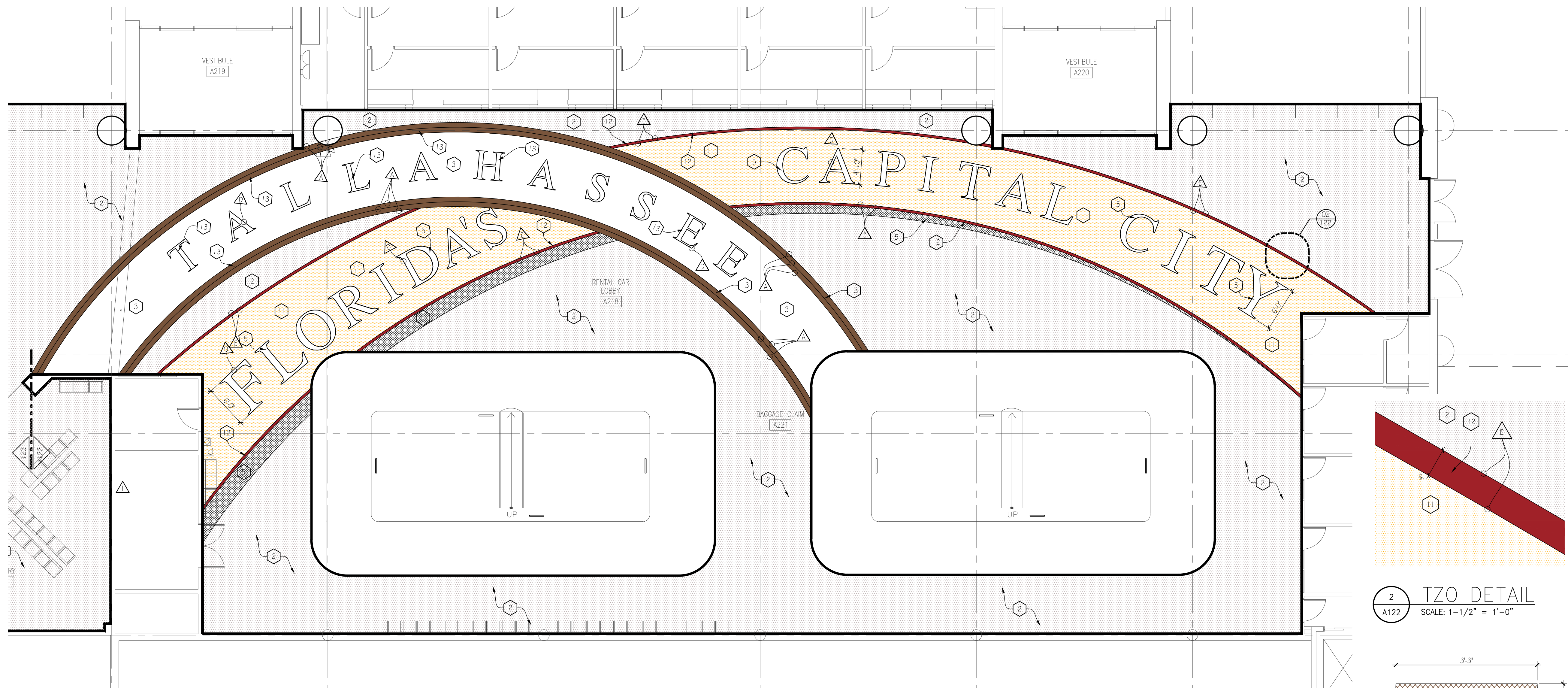
AEP PROJECT NUMBER
 201-2494-000
 © 2014 RS&H, INC.

SHEET TITLE
 SECOND FLOOR
 PLAN AREA B
 FLOOR FINISHES

SHEET NUMBER

ADD-1 INT-121

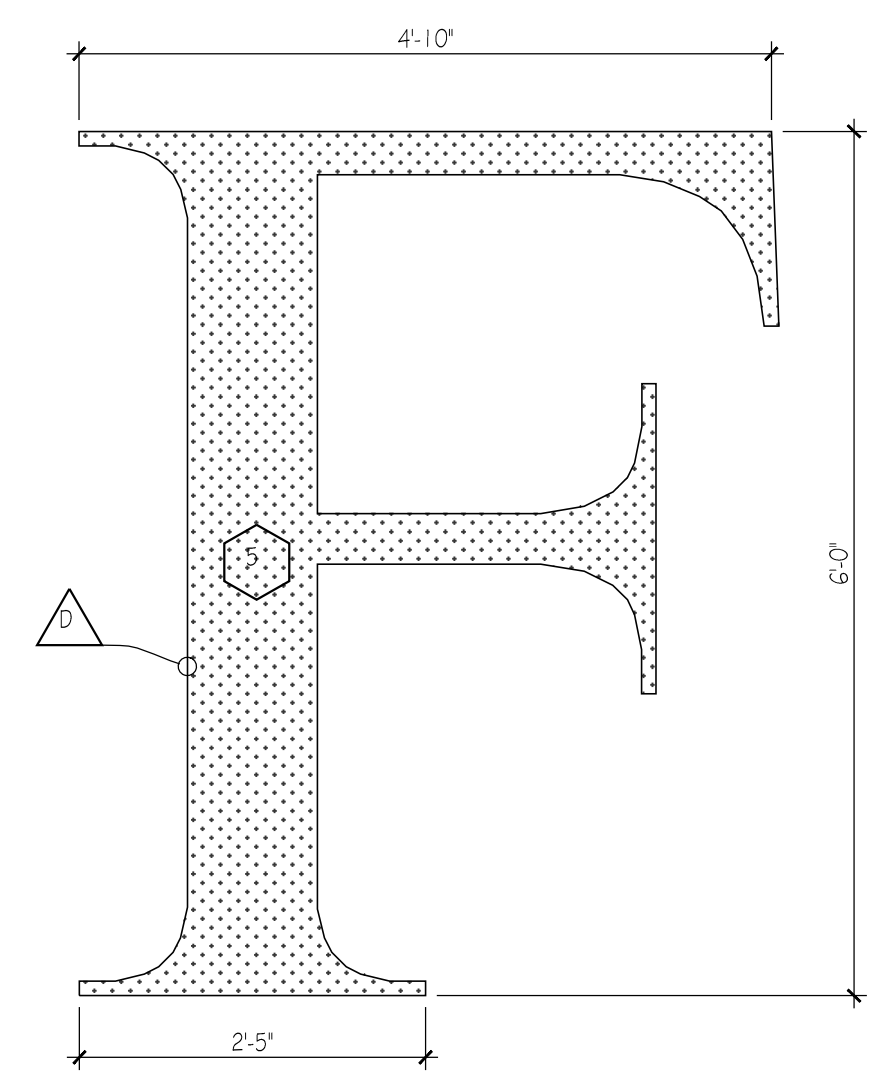
CONFORMED
 DOCUMENTS



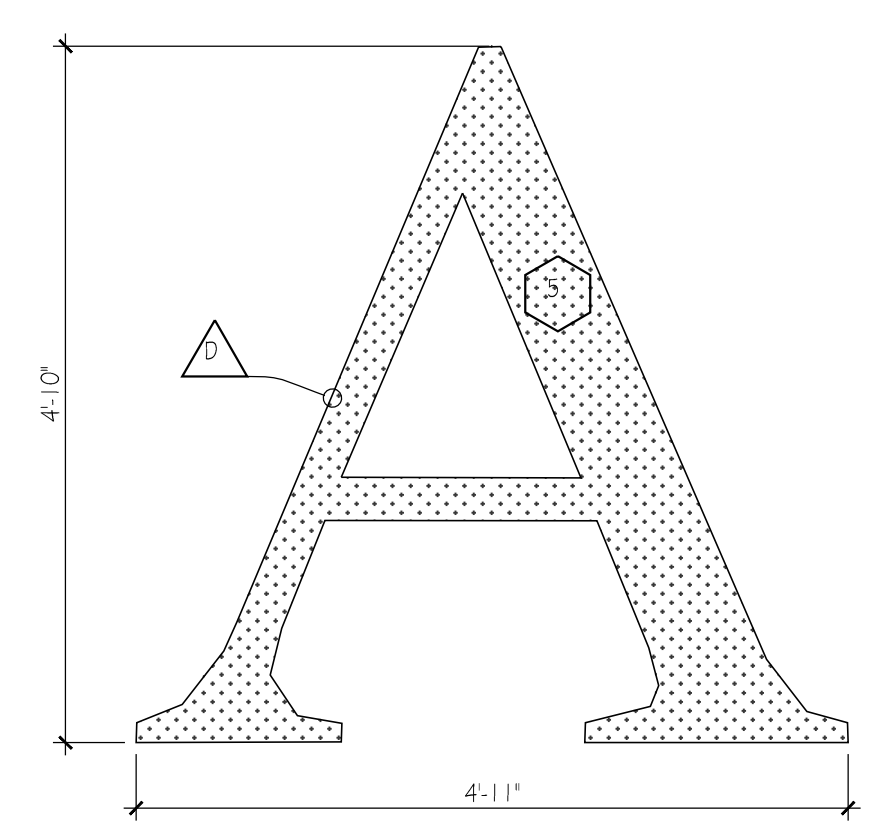
1 SECOND FLOOR PLAN AREA C
SCALE: 1/8" = 1'-0"

LEGEND	
○ T21	MAIN CONCOURSE - WHITE / COLORED GLASS
○ T22	DOVE GRAY (LIGHT)
○ T23	WHITE - PLAIN
○ T24	AGUA WINDOW
○ T25	SHADOW GRAY
○ T26	ALL YELLOW WINDOW - USE CLEAR EPOXY W/TINTED CRACK MEMBRANE SUBSTRATE
○ T27	BLUE WINDOW - USE CLEAR EPOXY
○ T28	TEAL GREEN WINDOW - USE CLEAR EPOXY
○ T29	LIME WINDOW
○ T210	BLACK, SEAL
○ T211	GOLD REGULAR, SEAL
○ T212	BRONZE
○ T213	SILVER
○ T214	GREEN-REGULAR, SEAL
○ T215	ORANGE, SEAL
○ T216	BLUE-REGULAR, SEAL
○ T217	RED, SEAL
TZ BASE	FLOOR BOARDS 'TZ 2" THROUGHOUT
△ STRIP A	ALUM 3/8" X 3/8"
△ STRIP B	ALUM 3/8" X 1/4"
△ STRIP C	ALUM 3/8" X 1/8"
△ STRIP D	ALUM 3/8" X 1/6" GUAGE
△ STRIP E	BRASS 3/8" X 1/4"
△ STRIP F	BRASS 3/8" X 1/8"
△ STRIP G	ZINC 3/8" X 1/6" GUAGE

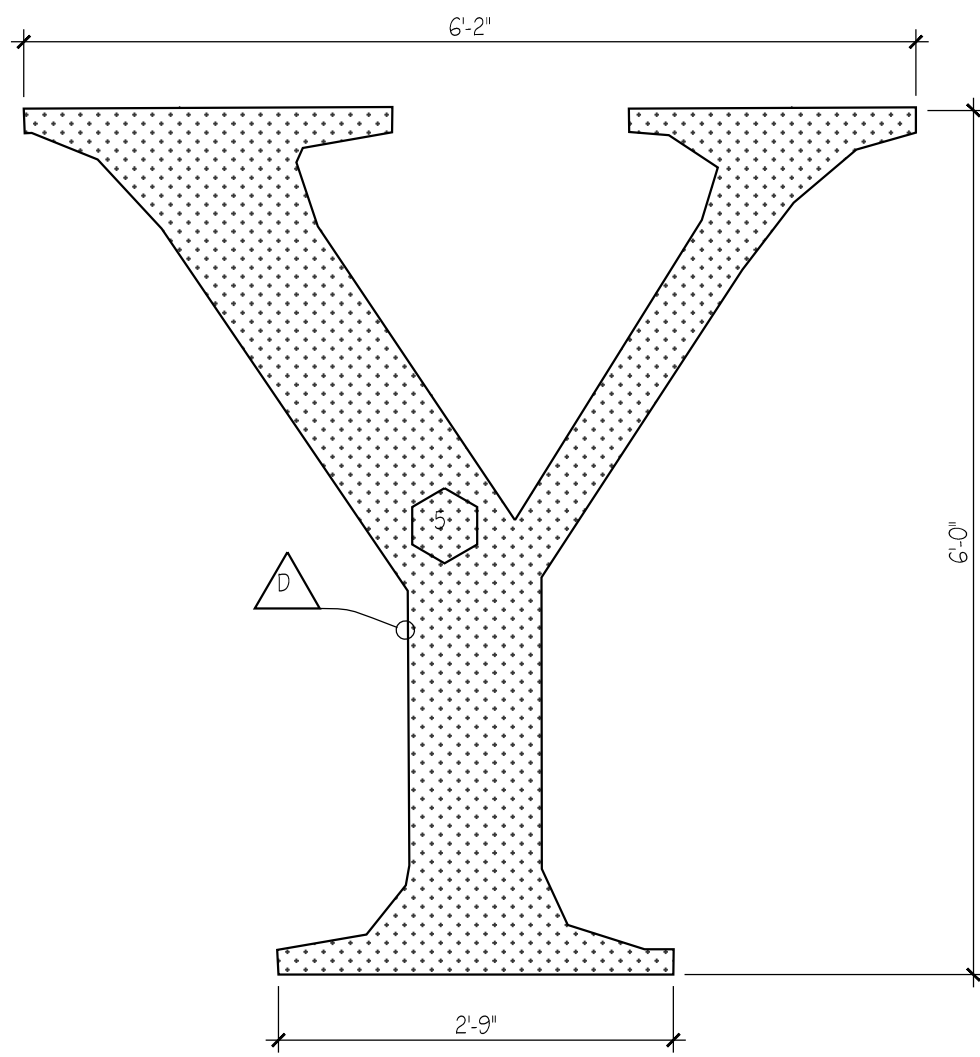
NOTE: PRINTED COLORS ARE NOT REPRESENTATIVE OF INSTALLED PRODUCT. (SEE PHYSICAL CONTROL SAMPLES)



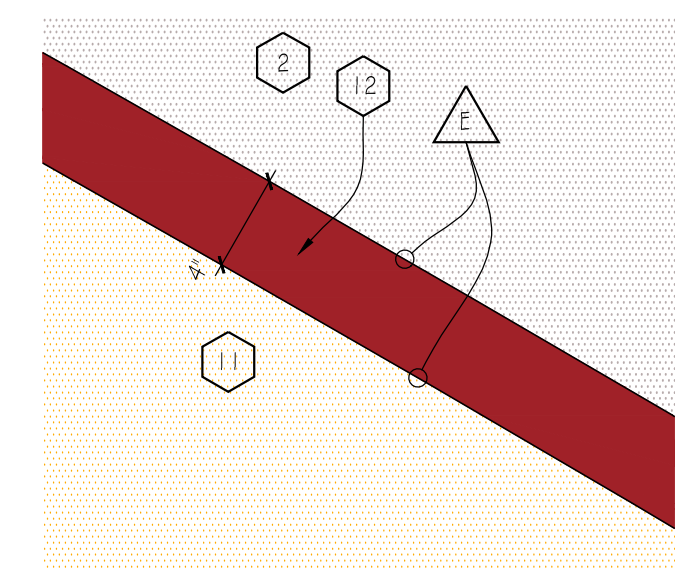
4 TZO FONT - FLORIDA
SCALE: 3/4" = 1'-0" (LARGEST FONT)



5 TZO FONT - FLORIDA
SCALE: 3/4" = 1'-0" (SMALLEST FONT)

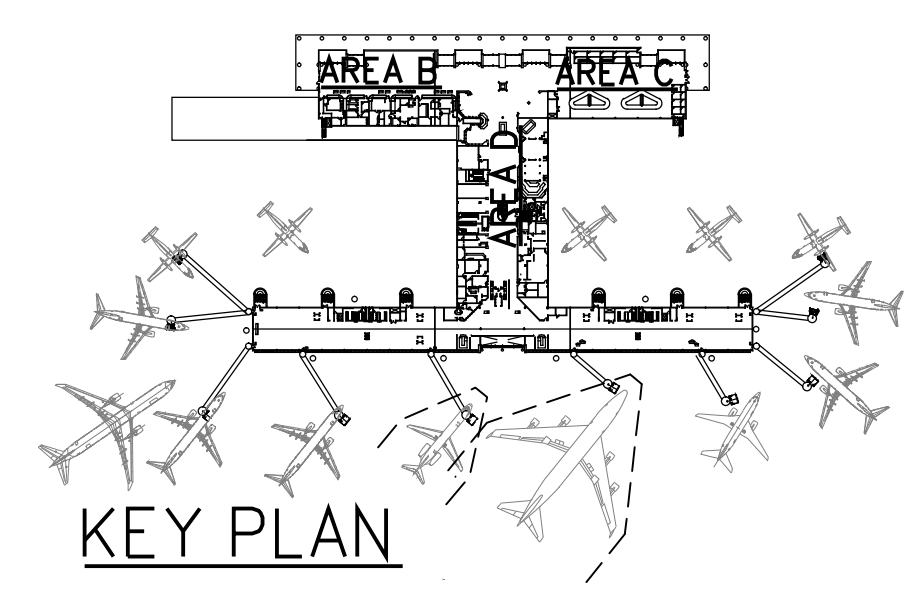


6 TZO FONT - FLORIDA
SCALE: 3/4" = 1'-0" (LARGEST FONT)



2 TZO DETAIL
SCALE: 1-1/2" = 1'-0"

3 TZO FONT - TALLAHASSEE
SCALE: 3/4" = 1'-0" (ALL FONTS SAME SIZE)



KEY PLAN

RS&H
10748 Deerwood Park Blvd South
Jacksonville, Florida 32256
904-256-2500 FAX 904-256-2502
www.rsandh.com
FL Lic# 18001886 - EB005620 - LC000210

TALLAHASSEE
REGIONAL AIRPORT
TALLAHASSEE, FLORIDA

TALLAHASSEE
REGIONAL AIRPORT
TALLAHASSEE, FLORIDA

KTD Inc.
Design
KELLY TAAFFE DESIGN

Lic# ID 0002289
FL# 13 0001146
kelly@kellytaaffedesign.com
Tel.: 813.695.5049
Fax: 813.805.2371

IN-LINE EDS
BAGGAGE
HANDLING SYSTEM
AND
TERMINAL REHAB.

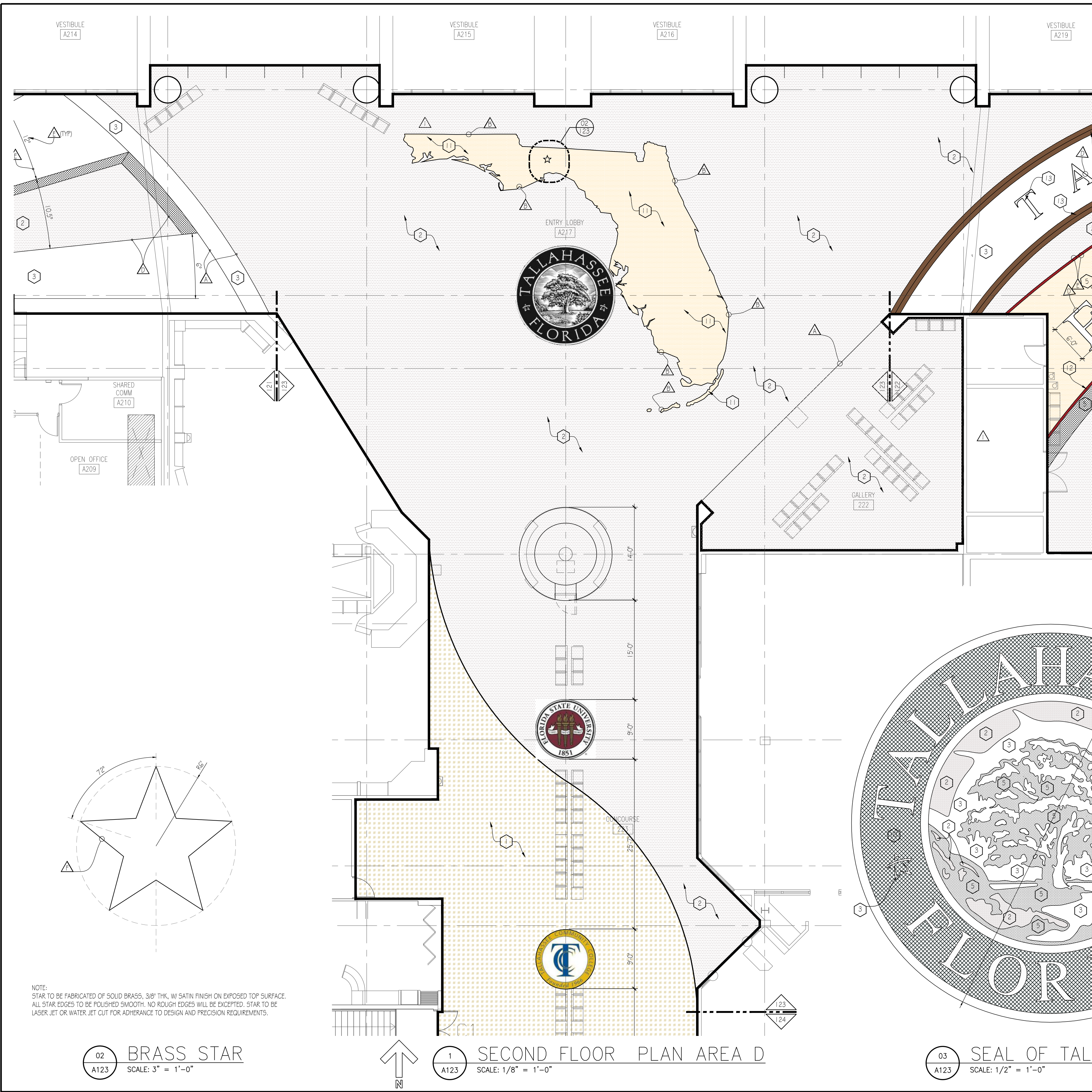
REVISIONS		
NO.	DESCRIPTION	DATE
1	CONFORMED	8/28/15
2	RFP-001	11/08/15

DATE ISSUED: FEBRUARY 13, 2015
REVIEWED BY:
DRAWN BY:
DESIGNED BY:
AEP PROJECT NUMBER
201-2494-000
© 2014 RS&H, INC.
SHEET TITLE

SECOND FLOOR
PLAN AREA C
FLOOR FINISHES

SHEET NUMBER
ADD-1 INT-122

CONFORMED
DOCUMENTS



LEGEND

○ TZ1	MAIN CONCOURSE - WHITE / COURED GLASS
○ TZ2	DOVE GRAY (LIGHT)
○ TZ3	WHITE - PLAIN
○ TZ4	AGUA WINDOW
○ TZ5	SHADOW GRAY
○ TZ6	ALL YELLOW WINDOW - USE CLEAR EPOXY W/TINTED CRACK MEMBRANE SUBSTRATE
○ TZ7	BLUE WINDOW - USE CLEAR EPOXY
○ TZ8	TEAL GREEN WINDOW - USE CLEAR EPOXY
○ TZ9	LIME WINDOW
○ TZ10	BLACK, SEAL
○ TZ11	GOLD REGULAR, SEAL
○ TZ12	BRONZE
○ TZ13	SILVER
○ TZ14	GREEN-REGULAR, SEAL
○ TZ15	ORANGE, SEAL
○ TZ16	BLUE-REGULAR, SEAL
○ TZ17	RED, SEAL
TZ BASE	FLOOR BOARDS 1/2" 2" THROUGHOUT
△ STRIP A	ALUM 3/8" X 3/8"
△ STRIP B	ALUM 3/8" X 1/4"
△ STRIP C	ALUM 3/8" X 1/8"
△ STRIP D	ALUM 3/8" X 1/6" GUAGE
△ STRIP E	BRASS 3/8" X 1/4"
△ STRIP F	BRASS 3/8" X 1/8"
△ STRIP G	ZINC 3/8" X 1/6" GUAGE

NOTE: PRINTED COLORS ARE NOT REPRESENTATIVE OF INSTALLED PRODUCT. (SEE PHYSICAL CONTROL SAMPLES)

RS&H

10748 Deerwood Park Blvd South
Jacksonville, Florida 32256
904-256-2500 FAX 904-256-2502
www.rsandh.com
FL Cert. No. AK001886 - EB005620 - LC0000210

TALLAHASSEE REGIONAL AIRPORT
TALLAHASSEE, FLORIDA

TALLAHASSEE REGIONAL AIRPORT
TALLAHASSEE, FLORIDA



Lic# ID 0002289
FL# 13 0001146
Kelly@kellytaaffedesign.com
Tel.: 813.695.5049
Fax: 813.805.2371

IN-LINE EDS
BAGGAGE
HANDLING SYSTEM
AND
TERMINAL REHAB.

REVISIONS

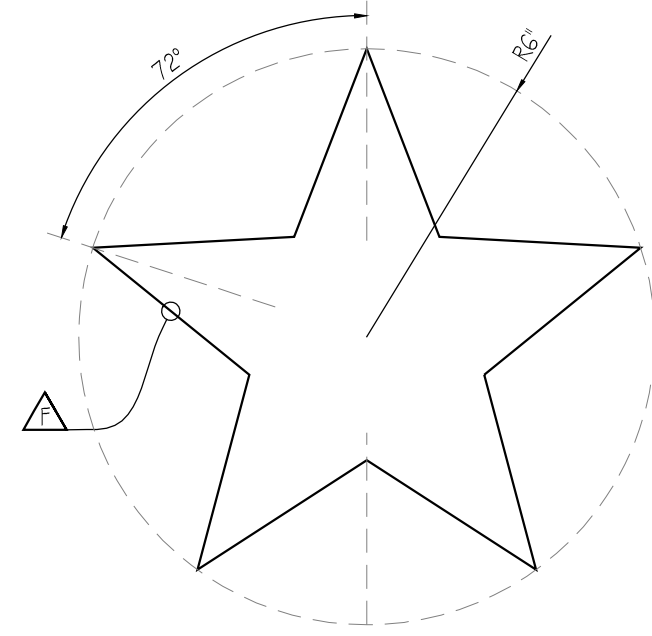
NO.	DESCRIPTION	DATE
1	CONFORMED	8/28/15
2	RFP-001	11/08/15

DATE ISSUED: FEBRUARY 13, 2015
REVIEWED BY:
DRAWN BY:
DESIGNED BY:
AEP PROJECT NUMBER
201-2494-000
© 2014 RS&H, INC.
SHEET TITLE

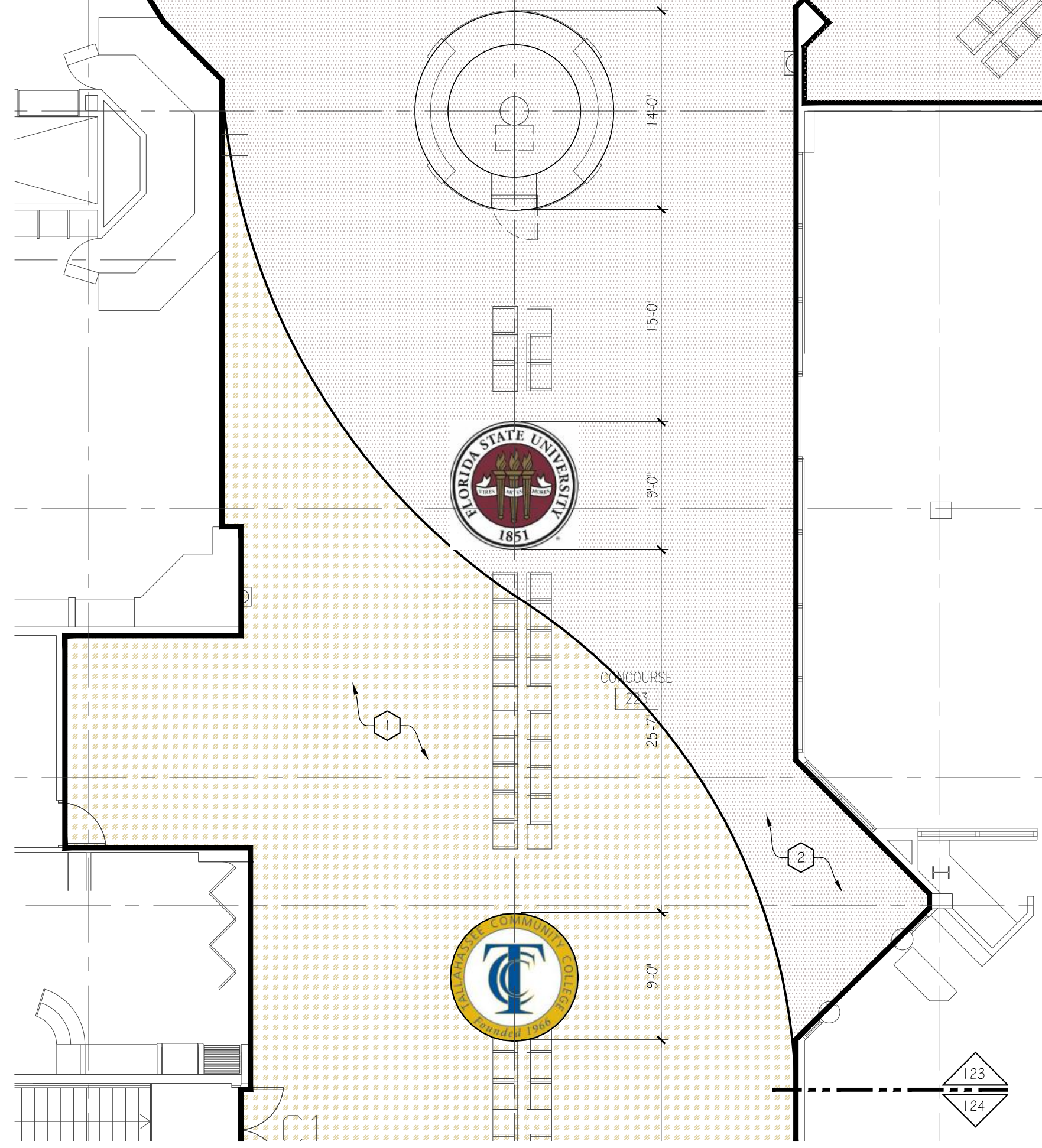
SECOND FLOOR
PLAN AREA D
FLOOR FINISHES

SHEET NUMBER
ADD-1 INT-123

CONFORMED
DOCUMENTS



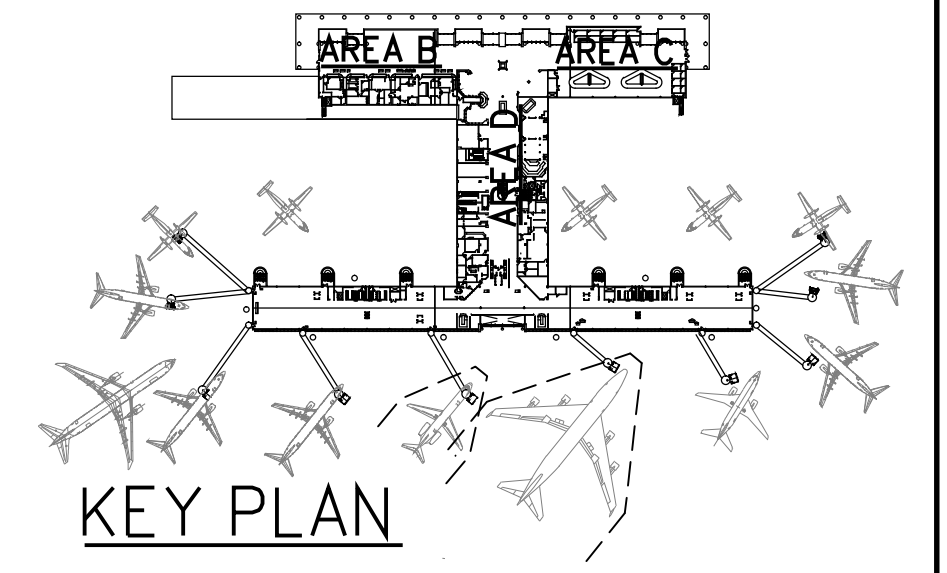
02
A123 BRASS STAR
SCALE: 3" = 1'-0"



1
A123 SECOND FLOOR PLAN AREA D
SCALE: 1/8" = 1'-0"



03
A123 SEAL OF TALLAHASSEE - DTL
SCALE: 1/2" = 1'-0"



KEY PLAN

